

1735368-1 ✓ ACTIVE



TE Internal #: 1735368-1

SAS, Receptacle, Wire-to-Board, 29 Position, 1 Row, 1 Port, Vertical,  
Through Hole - Press-Fit, .049 in [1.27 mm] Centerline, Power &  
Signal

[View on TE.com >](#)

Connectors > PCB Connectors > SAS & MiniSAS > PT30 XFP Connectors



SAS Connector Type: **SAS**

Connector & Housing Type: **Receptacle**

Connector System: **Wire-to-Board**

Number of Positions: **29**

Number of Rows: **1**

[All PT30 XFP Connectors \(15\)](#)

## Features

### Product Type Features

Shell	Without
SAS Connector Type	SAS
Connector & Housing Type	Receptacle
Connector System	Wire-to-Board
Connector & Contact Terminates To	Printed Circuit Board

### Configuration Features

Number of Positions	29
Number of Rows	1
Number of Ports	1
PCB Mount Orientation	Vertical

### Body Features

Primary Product Color	Black
-----------------------	-------

### Contact Features



	30 µin
Contact Mating Area Plating Material	Gold
Contact Base Material	Copper Alloy
Contact Current Rating (Max)	1.5 A

### Termination Features

Termination Method to Printed Circuit Board	Through Hole - Press-Fit
---	--------------------------

### Mechanical Attachment

PCB Mount Retention	With
PCB Mount Retention Type	Boardlock
Connector Mounting Type	Board Mount

### Housing Features

Housing Material	Thermoplastic
Centerline (Pitch)	1.27 mm [.049 in]

### Dimensions

Profile Height from PCB	9.15 mm [.36 in]
-------------------------	------------------

### Usage Conditions

High Temperature Housing	Yes
Operating Temperature Range	-40 – 85 °C [-40 – 185 °F]

### Operation/Application

Circuit Application	Power & Signal
---------------------	----------------

### Industry Standards

PCIe/SAS Generation	Gen2
UL Flammability Rating	UL 94V-0

### Packaging Features

Packaging Quantity	540
Packaging Method	Box & Tray, Tray

### Product Compliance

For compliance documentation, visit the product page on [TE.com](https://www.te.com)>

EU RoHS Directive 2011/65/EU	Compliant
EU ELV Directive 2000/53/EC	Compliant



China RoHS 2 Directive MIIT Order No 32, 2016	No Restricted Materials Above Threshold
EU REACH Regulation (EC) No. 1907/2006	Current ECHA Candidate List: JUNE 2023 (235) Candidate List Declared Against: JUNE 2023 (235) Does not contain REACH SVHC
Halogen Content	Low Halogen - Br, Cl, F, I < 900 ppm per homogenous material. Also BFR/CFR/PVC Free
Solder Process Capability	Not applicable for solder process capability

Product Compliance Disclaimer

This information is provided based on reasonable inquiry of our suppliers and represents our current actual knowledge based on the information they provided. This information is subject to change. The part numbers that TE has identified as EU RoHS compliant have a maximum concentration of 0.1% by weight in homogenous materials for lead, hexavalent chromium, mercury, PBB, PBDE, DBP, BBP, DEHP, DIBP, and 0.01% for cadmium, or qualify for an exemption to these limits as defined in the Annexes of Directive 2011/65/EU (RoHS2). Finished electrical and electronic equipment products will be CE marked as required by Directive 2011/65/EU. Components may not be CE marked. Additionally, the part numbers that TE has identified as EU ELV compliant have a maximum concentration of 0.1% by weight in homogenous materials for lead, hexavalent chromium, and mercury, and 0.01% for cadmium, or qualify for an exemption to these limits as defined in the Annexes of Directive 2000/53/EC (ELV). Regarding the REACH Regulation, the information TE provides on SVHC in articles for this part number is based on the latest European Chemicals Agency (ECHA) 'Guidance on requirements for substances in articles' posted at this URL: <https://echa.europa.eu/guidance-documents/guidance-on-reach>

## Compatible Parts



TE Part # CAT-SA78-P729  
Serial Attached SCSI (SAS) Connector Plugs

## Customers Also Bought



TE Part #2-1393250-5  
W28-XQ1A-10=W28-



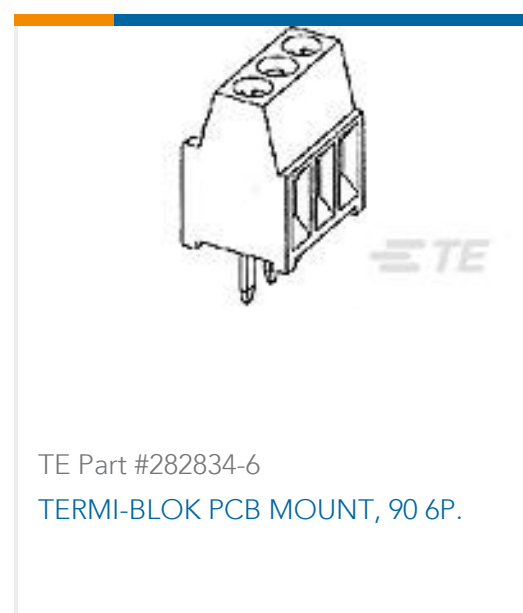
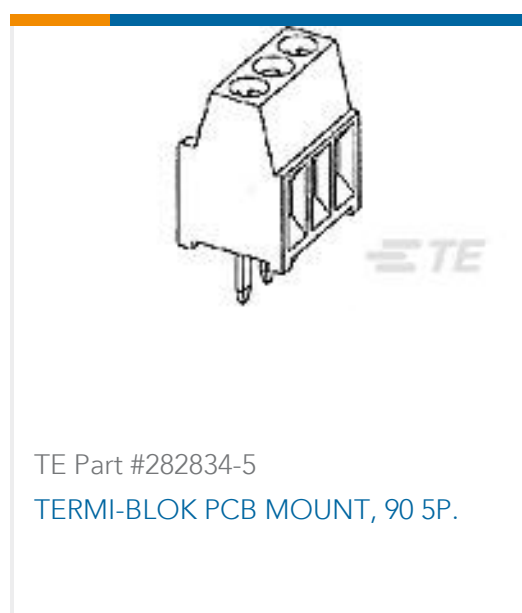
TE Part #173081-2  
EIS POST ASSY V 2P GOLD NATU.



TE Part #2065657-1  
zd Plus, 4 pair, receptacle assy



TE Part #171825-4  
TYPE V EIS CONNECTOR 4P ASSY



## Documents

### Product Drawings

#### SAS BACKPLANE RECEPT, VERTICAL

English

### CAD Files

#### Customer View Model

[ENG\\_CVM\\_CVM\\_1735368-1\\_C.2d\\_dxf.zip](#)

English

#### 3D PDF

3D

#### Customer View Model

[ENG\\_CVM\\_CVM\\_1735368-1\\_C.3d\\_igs.zip](#)

English

#### Customer View Model

[ENG\\_CVM\\_CVM\\_1735368-1\\_C.3d\\_stp.zip](#)

English

By downloading the CAD file I accept and agree to the [Terms and Conditions](#) of use.

### Product Specifications

#### Product Specification

English

### Product Environmental Compliance

[MD\\_1735368-1\\_05112017512\\_dmtec](#)

English

[MD\\_1735368-1\\_05112017512\\_dmtec](#)

English

1735368-1

SAS, Receptacle, Wire-to-Board, 29 Position, 1 Row, 1 Port, Vertical, Through Hole -  
Press-Fit, .049 in [1.27 mm] Centerline, Power & Signal

