

172765-1 ✓ ACTIVE

Positive Lock | Positive Lock 250

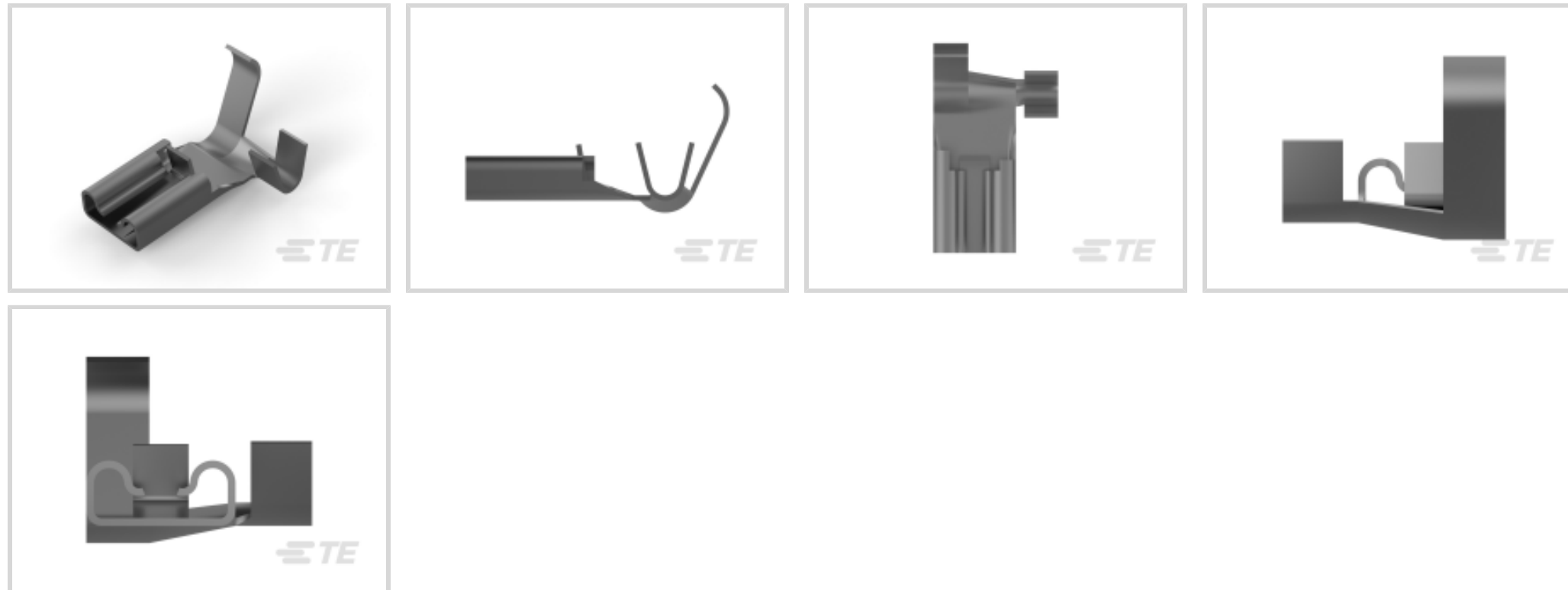
TE Internal #: 172765-1

Quick Disconnects, Receptacle, 14 – 12 AWG Wire Size, 2.1 – 3.31 mm² Wire Size, Mating Tab Width 6.35 mm [.25 in], Flag, Brass, Positive Lock 250

[View on TE.com >](#)



Terminals & Splices > Quick Disconnects



Quick Disconnect Terminal Type: **Receptacle**

Wire Size: **2.1 – 3.31 mm²**

Mating Tab Width: **6.35 mm [.25 in]**

Mating Tab Thickness: **.81 mm [.032 in]**

Features

Product Type Features

| | |
|-----------------|-----|
| Insertion Force | Low |
|-----------------|-----|

Configuration Features

| | |
|---------------------|--------|
| Connection Capacity | Single |
|---------------------|--------|

| | |
|-----------------------------------|---------------|
| Compatible With Wire & Cable Type | Discrete Wire |
|-----------------------------------|---------------|

Contact Features

| | |
|--------------------------------|------------|
| Quick Disconnect Terminal Type | Receptacle |
|--------------------------------|------------|

| | |
|------------------|------------------|
| Mating Tab Width | 6.35 mm [.25 in] |
|------------------|------------------|

| | |
|----------------------|------------------|
| Mating Tab Thickness | .81 mm [.032 in] |
|----------------------|------------------|

| | |
|----------------------|------|
| Terminal Orientation | Flag |
|----------------------|------|

| | |
|-----------------------|-------|
| Contact Base Material | Brass |
|-----------------------|-------|

| | |
|---------------------------|---------|
| Terminal Plating Material | Pre-Tin |
|---------------------------|---------|

| | |
|------------|---------|
| Crimp Type | F-Crimp |
|------------|---------|

| | |
|-------------|------|
| Barrel Type | Open |
|-------------|------|

Termination Features



| | |
|-----------------------|--------------|
| Product Terminates To | Wire & Cable |
|-----------------------|--------------|

Mechanical Attachment

| | |
|------------------|----------------|
| Extraction Force | 7 – 100 Newton |
|------------------|----------------|

| | |
|-------------------------|------|
| Wire Insulation Support | With |
|-------------------------|------|

| | |
|-----------------------|--------|
| Mating Retention Type | Dimple |
|-----------------------|--------|

Dimensions

| | |
|-----------------------------|-----------------|
| Terminal Material Thickness | .41 mm[.016 in] |
|-----------------------------|-----------------|

| | |
|----------------|-----------------|
| Product Length | 21.6 mm[.85 in] |
|----------------|-----------------|

| | |
|--------------------------------------|-----------------------------|
| Compatible Insulation Diameter Range | 2.8 – 5.2 mm[.11 – .204 in] |
|--------------------------------------|-----------------------------|

| | |
|-----------|----------------------------|
| Wire Size | 2.1 – 3.31 mm ² |
|-----------|----------------------------|

Usage Conditions

| | |
|-------------------|-------------|
| Insulation Option | Uninsulated |
|-------------------|-------------|

| | |
|-----------------------------|----------------------------|
| Operating Temperature Range | -40 – 110 °C[-40 – 230 °F] |
|-----------------------------|----------------------------|

Industry Standards

| | |
|-----------------|----|
| Agency/Standard | UL |
|-----------------|----|

Packaging Features

| | |
|--------------------|------|
| Packaging Quantity | 2000 |
|--------------------|------|

| | |
|------------------|------------|
| Packaging Method | Strip/Reel |
|------------------|------------|

Product Compliance

[For compliance documentation, visit the product page on TE.com>](#)

| | |
|------------------------------|-----------|
| EU RoHS Directive 2011/65/EU | Compliant |
|------------------------------|-----------|

| | |
|-----------------------------|-----------|
| EU ELV Directive 2000/53/EC | Compliant |
|-----------------------------|-----------|

| | |
|---|---|
| China RoHS 2 Directive MIIT Order No 32, 2016 | No Restricted Materials Above Threshold |
|---|---|

| | |
|--|---|
| EU REACH Regulation (EC) No. 1907/2006 | Current ECHA Candidate List: JUNE 2023 (235) Candidate List Declared Against: JUNE 2023 (235) Does not contain REACH SVHC |
|--|---|

| | |
|-----------------|---|
| Halogen Content | Low Halogen - Br, Cl, F, I < 900 ppm per homogenous material. Also BFR/CFR/PVC Free |
|-----------------|---|

| | |
|---------------------------|--|
| Solder Process Capability | Not applicable for solder process capability |
|---------------------------|--|

Product Compliance Disclaimer

This information is provided based on reasonable inquiry of our suppliers and represents our current actual knowledge based on the information they provided. This information is subject to change. The part numbers that TE has identified as EU RoHS compliant have a maximum concentration of 0.1% by weight in homogenous materials for lead, hexavalent chromium, mercury, PBB, PBDE, DBP, BBP, DEHP, DIBP, and 0.01% for cadmium, or qualify for an exemption to these limits as defined in the Annexes of Directive 2011/65/EU (RoHS2). Finished electrical and electronic equipment products will be CE marked as required by Directive 2011/65/EU. Components may not be CE marked. Additionally, the part numbers that TE has identified as EU ELV compliant have a maximum concentration of 0.1% by weight in homogenous materials for lead, hexavalent chromium, and mercury, and 0.01% for cadmium, or qualify for an exemption to these limits as defined in the Annexes of Directive 2000/53/EC (ELV). Regarding the REACH Regulation, the information TE provides on SVHC in articles for this part number is based on the latest European Chemicals Agency (ECHA) 'Guidance on requirements for substances in articles' posted at this URL: <https://echa.europa.eu/guidance-documents/guidance-on-reach>

Compatible Parts



TE Part # 1-172469-2
PL 250 (6.3 MM) HOUSING BLUE 6/6
NYLON



TE Part # 341299-2
PL 250 REC TERMINAL 20-15 AWG
PTPB



TE Part # 1-172469-1
PL 250 HOUSING NATURAL 6/6
NYLON



TE Part # 2-2150940-2
OCEAN_2.0_Applicator-E-130F2190



TE Part # 2150940-2
OCEAN_2.0_Applicator-E-130F2190




TE Part # 7-2150940-2
OCEAN_2.0_Applicator-E-130F2190

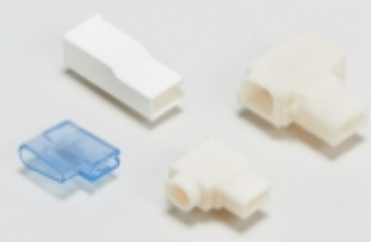


TE Part # 7-2150940-7
OCEAN_2.0_SPARE_PART_KIT-130F2190


Also in the Series | Positive Lock 250



Automotive Terminals(1)



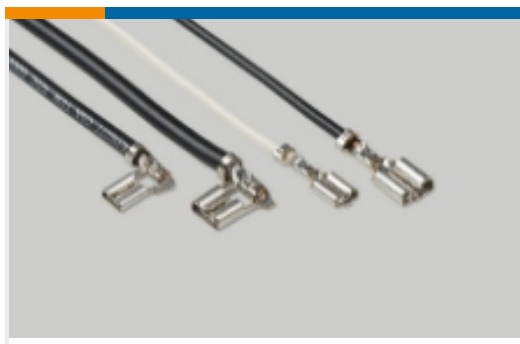
Crimp Terminal Housings(193)



Insertion & Extraction Tools(3)



Insulation Boots & Sleeves(4)

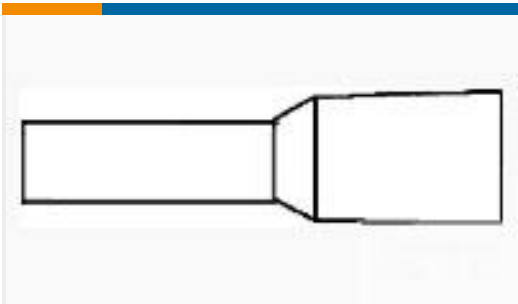


Quick Disconnects(186)

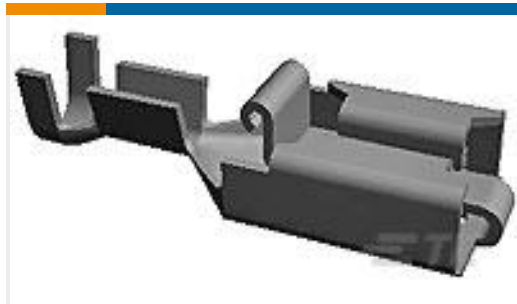
Customers Also Bought



TE Part #520974-2
ULTRA-POD 250 ASSY REC 14-12 AWG TPBR



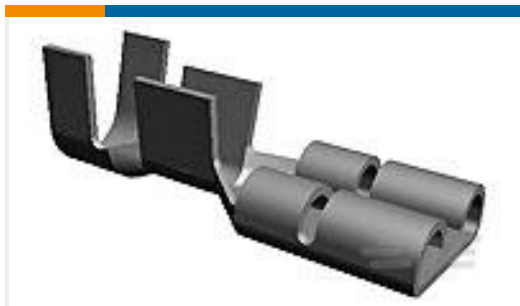
TE Part #1-966144-0
FER,WIRE,DBL,PL SLV,4.00/12,L12, GREY,LP



TE Part #63812-1
250 PL MKI REC. 18-14AWG TPBR



TE Part #60529-2
187 FASTON REC 20-16 AWG TPBR



TE Part #63365-2
250 FASTON REC 14-10 AWG TPBR



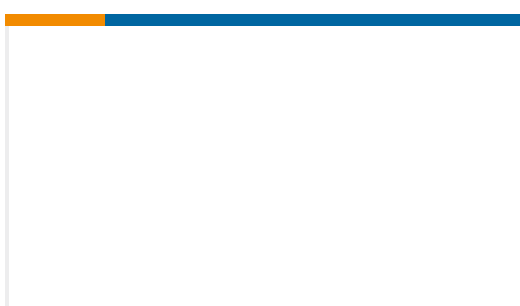
TE Part #42511-2
250 FASTON FLAG REC 18-12 AWG TPBR



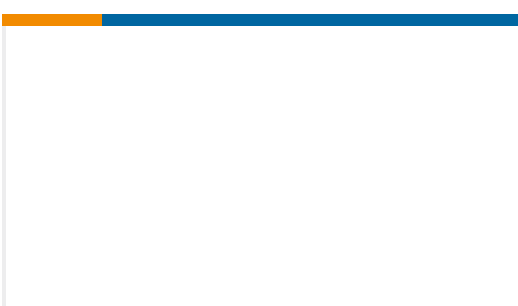
TE Part #61177-2
250 FASTON FLAG REC 18-12 AWG TPBR



TE Part #193797-1
SKT ASSY - 2MM, 10 AWG



TE Part #134521-E
ERBIC BUS * BUS-SYSTEM SYS DEVN HO SC CU



TE Part #144744-E
ERBIC BUS B BUS-SYSTEM SYS CAN HO SC CU

Documents

Product Drawings

[PL 250 FLAG REC 14-12 0.40 X 49.2 PTBR](#)

English

CAD Files

[3D PDF](#)

3D

Customer View Model

[ENG_CVM_CVM_172765-1_E.2d_dxf.zip](#)



English

Customer View Model

[ENG_CVM_CVM_172765-1_E.3d_igs.zip](#)

English

Customer View Model

[ENG_CVM_CVM_172765-1_E.3d_stp.zip](#)

English

By downloading the CAD file I accept and agree to the [Terms and Conditions](#) of use.

Datasheets & Catalog Pages

[1654742_HOUSEHOLD_APPLIANCES_RAST5](#)

English

Positive Lock Receptacles

English

Product Specifications

[1-Pos. '250' Flag, Positive Lock Connector](#)

Japanese

Application Specification

Japanese

Product Environmental Compliance

Product Compliance

English

Product Compliance

English