

172520-3 ✓ ACTIVE

AMP-IN

TE Internal #: 172520-3

Housing, Housing for Male Terminals, Wire-to-Board, 3 Position, .098 in [2.5 mm] Centerline, Crimp, 1 Row, Natural, Wire & Cable, Signal

[View on TE.com >](#)



Connectors > PCB Connectors > Wire-to-Board Connectors > Wire-to-Board Connector Assemblies & Housings



Connector Product Type: **Housing**

Connector & Housing Type: **Housing for Male Terminals**

Connector System: **Wire-to-Board**

Number of Positions: **3**

Centerline (Pitch): **2.5 mm [.098 in]**

Features

Product Type Features

Connector Product Type	Housing
Connector & Housing Type	Housing for Male Terminals
Connector System	Wire-to-Board
Sealable	No
Connector & Contact Terminates To	Wire & Cable

Configuration Features

Number of Positions	3
Number of Rows	1

Electrical Characteristics

Operating Voltage	250 VAC
-------------------	---------

Body Features

Primary Product Color	Natural
-----------------------	---------

Contact Features

--	--



Contact Base Material	Brass
-----------------------	-------

Contact Current Rating (Max)	4 A
------------------------------	-----

Termination Features

Termination Method to Wire & Cable	Crimp
------------------------------------	-------

Mechanical Attachment

Mating Retention	Without
------------------	---------

Connector Mounting Type	Cable Mount (Free-Hanging)
-------------------------	----------------------------

Housing Features

Housing Material	66 Nylon
------------------	----------

Centerline (Pitch)	2.5 mm [.098 in]
--------------------	------------------

Dimensions

Wire Size	.05 – .125 mm ²
-----------	----------------------------

Usage Conditions

Operating Temperature Range	-40 – 105 °C [-40 – 221 °F]
-----------------------------	-----------------------------

Operation/Application

Circuit Application	Signal
---------------------	--------

Industry Standards

Agency/Standard	UL
-----------------	----

UL Flammability Rating	UL 94V-0
------------------------	----------

Packaging Features

Packaging Quantity	2000
--------------------	------

Packaging Method	Bag
------------------	-----

Product Compliance

[For compliance documentation, visit the product page on TE.com>](#)

EU RoHS Directive 2011/65/EU	Compliant
------------------------------	-----------

EU ELV Directive 2000/53/EC	Compliant
-----------------------------	-----------

China RoHS 2 Directive MIIT Order No 32, 2016	No Restricted Materials Above Threshold
---	---

EU REACH Regulation (EC) No. 1907/2006	Current ECHA Candidate List: JUNE 2023 (235) Candidate List Declared Against: JUNE 2023 (235) SVHC > Threshold:
--	---



Melamine (3% in Component Part)

Article Safe Usage Statements:

Wash thoroughly after handling. Do not handle until all safety precautions have been read and understood. Recycle if possible and dispose of the article by following all applicable governmental regulations relevant to your geographic location.

Halogen Content

Low Halogen - Br, Cl, F, I < 900 ppm per homogenous material. Also BFR/CFR/PVC Free

Solder Process Capability

Not applicable for solder process capability

Product Compliance Disclaimer

This information is provided based on reasonable inquiry of our suppliers and represents our current actual knowledge based on the information they provided. This information is subject to change. The part numbers that TE has identified as EU RoHS compliant have a maximum concentration of 0.1% by weight in homogenous materials for lead, hexavalent chromium, mercury, PBB, PBDE, DBP, BBP, DEHP, DIBP, and 0.01% for cadmium, or qualify for an exemption to these limits as defined in the Annexes of Directive 2011/65/EU (RoHS2). Finished electrical and electronic equipment products will be CE marked as required by Directive 2011/65/EU. Components may not be CE marked. Additionally, the part numbers that TE has identified as EU ELV compliant have a maximum concentration of 0.1% by weight in homogenous materials for lead, hexavalent chromium, and mercury, and 0.01% for cadmium, or qualify for an exemption to these limits as defined in the Annexes of Directive 2000/53/EC (ELV). Regarding the REACH Regulation, the information TE provides on SVHC in articles for this part number is based on the latest European Chemicals Agency (ECHA) 'Guidance on requirements for substances in articles' posted at this URL: <https://echa.europa.eu/guidance-documents/guidance-on-reach>

Compatible Parts



TE Part # 172782-5
LOW PROFILE MINI AMP-IN



TE Part # 172781-4
LOW PROFILE MINI AMP-IN
(AWG#30-#26)Y-TY



TE Part # 172782-7
LOW PROFILE MINI AMP-IN



TE Part # 172781-3
LOW PROFILE MINI AMP-IN
(AWG#30-#26)X-TY

Customers Also Bought



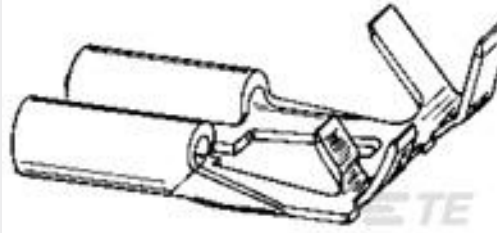
TE Part #284844-1
12 POS MCP HYBRID MALE CONN AS



TE Part #DT04-4P-EP04
REC, 4P, GRY, N, CAP



TE Part #5039944006
SRFR-7.8/4.6-8-SP



TE Part #180453-2
FF 312 REC 1-2.5MM2 TPBR



Documents

Product Drawings

[LOW PRO MINI AMP-IN HDR 3P](#)

English

CAD Files

[3D PDF](#)

English

Customer View Model

[ENG_CVM_172520-3_G1.3d_igs.zip](#)

English

Customer View Model

[ENG_CVM_172520-3_G1.3d_stp.zip](#)

English

Customer View Model

[ENG_CVM_172520-3_G1.2d_dxf.zip](#)

English

[3D PDF](#)

3D

Customer View Model

[ENG_CVM_CVM_172520-3_E.2d_dxf.zip](#)

English

Customer View Model

[ENG_CVM_CVM_172520-3_E.3d_igs.zip](#)

English

Customer View Model

[ENG_CVM_CVM_172520-3_E.3d_stp.zip](#)

English



By downloading the CAD file I accept and agree to the [Terms and Conditions](#) of use.

Datasheets & Catalog Pages

PRINTED CIRCUIT BOARD TERMINALS AND DISCONNECTS

English

Product Specifications

Application Specification

English

Application Specification

English

Product Environmental Compliance

MD_172520-3_05122014118_dmtec

English

MD_172520-3_05122014118_dmtec

English

Agency Approvals

UL Report

English