



Positive Lock | Positive Lock 250

TE Internal #: 172320-2

Crimp Terminal Housings, Receptacle, Receptacle, 1 Position, Straight, UL 94V-2, Black, Nylon, Mating Alignment, Positive Lock 250

[View on TE.com >](#)

Terminals & Splices > Terminal Housings, Insulation Sleeves & Blocks > Crimp Terminal Housings



Terminal Type: **Receptacle**

Connector & Housing Type: **Receptacle**

Number of Positions: **1**

Terminal Orientation: **Straight**

UL Flammability Rating: **UL 94V-2**

Features

Product Type Features

Sealable	No
Connector & Housing Type	Receptacle

Configuration Features

Number of Positions	1
---------------------	---

Body Features

Primary Product Color	Black
-----------------------	-------

Contact Features

Terminal Type	Receptacle
Terminal Orientation	Straight
Contact Mating Retention	Without

Mechanical Attachment

Mating Alignment Type	Polarization
Mating Alignment	With



Connector Mounting Type	Cable Mount (Free-Hanging)
-------------------------	----------------------------

Housing Features

Housing Material	Nylon
------------------	-------

Usage Conditions

Operating Temperature Range	-40 – 105 °C[-40 – 221 °F]
-----------------------------	----------------------------

Industry Standards

UL Flammability Rating	UL 94V-2
------------------------	----------

Packaging Features

Packaging Quantity	100
--------------------	-----

Product Compliance

[For compliance documentation, visit the product page on TE.com>](#)

EU RoHS Directive 2011/65/EU	Compliant
EU ELV Directive 2000/53/EC	Compliant
China RoHS 2 Directive MIIT Order No 32, 2016	No Restricted Materials Above Threshold
EU REACH Regulation (EC) No. 1907/2006	Current ECHA Candidate List: JUNE 2023 (235) Candidate List Declared Against: JUNE 2023 (235) Does not contain REACH SVHC
Halogen Content	Low Halogen - Br, Cl, F, I < 900 ppm per homogenous material. Also BFR/CFR/PVC Free
Solder Process Capability	Not applicable for solder process capability

Product Compliance Disclaimer

This information is provided based on reasonable inquiry of our suppliers and represents our current actual knowledge based on the information they provided. This information is subject to change. The part numbers that TE has identified as EU RoHS compliant have a maximum concentration of 0.1% by weight in homogenous materials for lead, hexavalent chromium, mercury, PBB, PBDE, DBP, BBP, DEHP, DIBP, and 0.01% for cadmium, or qualify for an exemption to these limits as defined in the Annexes of Directive 2011/65/EU (RoHS2). Finished electrical and electronic equipment products will be CE marked as required by Directive 2011/65/EU. Components may not be CE marked. Additionally, the part numbers that TE has identified as EU ELV compliant have a maximum concentration of 0.1% by weight in homogenous materials for lead, hexavalent chromium, and mercury, and 0.01% for cadmium, or qualify for an exemption to these limits as defined in the Annexes of Directive 2000/53/EC (ELV). Regarding the REACH Regulation, the information TE provides on SVHC in articles for this part number is based on the latest European Chemicals Agency (ECHA) 'Guidance on requirements for substances in articles' posted at this URL: <https://echa.europa.eu/guidance-documents/guidance-on-reach>

Compatible Parts




TE Part # 170456-1
PL 250 AUTOMOTIVE REC 12-10 0.40 X 21 BR



TE Part # 170454-1
PL 250 AUTOMOTIVE REC 18-14 0.40 X 21 BR



TE Part # 170456-2
PL 250 AM REC 12-10 0.40 X 21 PRE-TPBR



TE Part # 170452-1
PL 250 AM REC 22-20 AWG 0.406 X 21 BR



TE Part # 170452-2
PL 250 AUTOMOTIVE REC 22-20 AWG PRE TPBR



TE Part # 170454-2
PL 250 AM REC 18-14 0.40 X 21 PRE-TPBR




TE Part # 724659-2
EXT TOOL FOR POSITIVE .250




TE Part # 172863-8
250 P.LOCK MK-II 1P HSG RED


Also in the Series | Positive Lock 250



Automotive Terminals(1)




Crimp Terminal Housings(193)



Insertion & Extraction Tools(3)



Insulation Boots & Sleeves(4)



Quick Disconnects(186)

Customers Also Bought



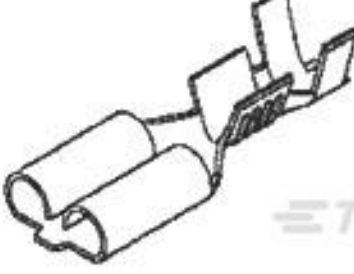
TE Part #172615-2
POSITIVE LOCK 312 HOUSING RECEPTACLE



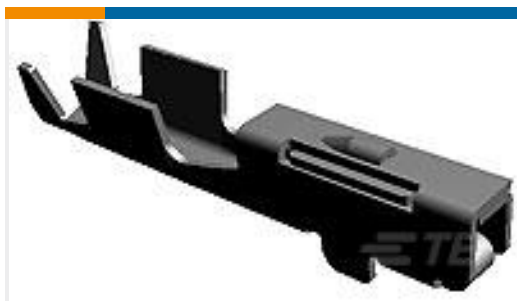
TE Part #170454-1
PL 250 AUTOMOTIVE REC 18-14 0.40 X 21 BR



TE Part #170452-1
PL 250 AM REC 22-20 AWG 0.406 X 21 BR



TE Part #170384-2
250 FASTON, REC., 22-20 AWG, TPBR



TE Part #316837-2
040-3 UNSEALED REC CONT. S AU



TE Part #1939605-1
0.64/2.3 SERIES 20POS.PLUG HOUSING ASSY



TE Part #2822365-1
EJ-2 DBL LOCK PLUG ASSY 2P (D) BLACK



TE Part #178471-2
DOUBLE LOCK CONNECTOR 250 ASSEMBLY



TE Part #3-1703884-2
2POS,SHORT CIRC SPR,HOUSING, ASSY,CODC

TE Part #5-21028-1
PIN,SLOTTED SPRING

Documents

Product Drawings

POSITIVE LOCK 250 (6.3 MM) HOUSING

English

CAD Files

Customer View Model

[ENG_CVM_CVM_172320-2_L.2d_dxf.zip](#)

English

3D PDF

3D

Customer View Model

[ENG_CVM_CVM_172320-2_L.3d_igs.zip](#)

English

Customer View Model

[ENG_CVM_CVM_172320-2_L.3d_stp.zip](#)

English

By downloading the CAD file I accept and agree to the [Terms and Conditions](#) of use.

Product Specifications

Crimping of 250 Series, Automotive Positive Lock Receptacle Contact

English

Application Specification

English

Product Environmental Compliance

[MD_172320-2_06122018225_dmtec](#)

English



[MD_172320-2_06122018225_dmtec](#)

English

Instruction Sheets

[Instruction Sheet \(non U.S.\)](#)

English

[Instruction Sheet \(non U.S.\)](#)

Japanese

Agency Approvals

[CSA Certificate](#)

English