

172129-1 ✓ ACTIVE

FASTIN-FASTON | FASTIN-FASTON 250

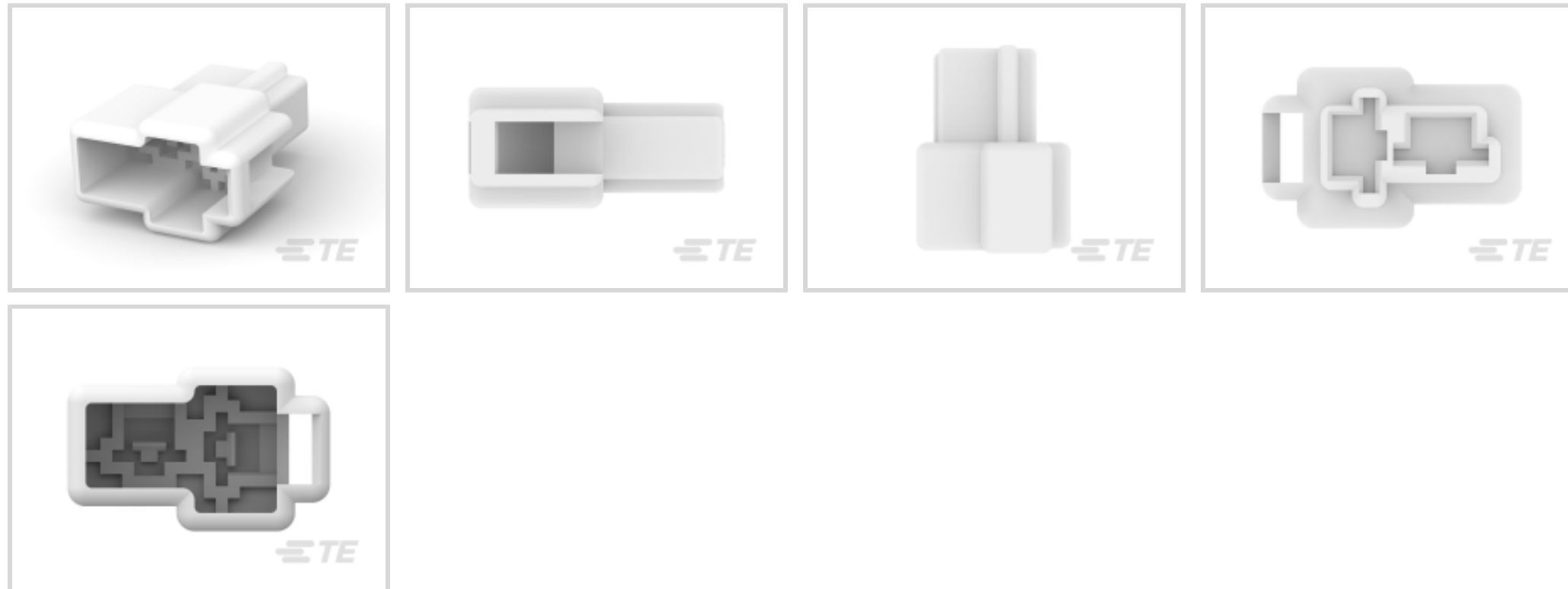
TE Internal #: 172129-1

Crimp Terminal Housings, Receptacle, Receptacle, 2 Position, Straight, Natural, Nylon, Contact Mating Retention, Mating Alignment, FASTIN-FASTON 250

[View on TE.com >](#)



Terminals & Splices > Terminal Housings, Insulation Sleeves & Blocks > Crimp Terminal Housings



Terminal Type: **Receptacle**

Connector & Housing Type: **Receptacle**

Number of Positions: **2**

Terminal Orientation: **Straight**

Primary Product Color: **Natural**

## Features

### Product Type Features

Sealable	No
Connector & Contact Terminates To	Wire & Cable
Connector & Housing Type	Receptacle

### Configuration Features

Number of Positions	2
---------------------	---

### Body Features

Primary Product Color	Natural
-----------------------	---------

### Contact Features

Terminal Type	Receptacle
Terminal Orientation	Straight
Contact Mating Retention	With

### Mechanical Attachment

Mating Alignment	With
------------------	------



Connector Mounting Type

Cable Mount (Free-Hanging)

### Housing Features

Housing Material

Nylon

Centerline (Pitch)

6 mm[.236 in]

### Dimensions

Product Length

28.5 mm[1.12 in]

### Usage Conditions

Operating Temperature Range

-40 – 105 °C[-40 – 221 °F]

### Packaging Features

Packaging Quantity

100

## Product Compliance

For compliance documentation, visit the product page on [TE.com](#)>

EU RoHS Directive 2011/65/EU

Compliant

EU ELV Directive 2000/53/EC

Compliant

China RoHS 2 Directive MIIT Order No 32, 2016

No Restricted Materials Above Threshold

EU REACH Regulation (EC) No. 1907/2006

Current ECHA Candidate List: JUNE 2023 (235)

Candidate List Declared Against: JUNE 2023 (235)

Does not contain REACH SVHC

Halogen Content

Low Halogen - Br, Cl, F, I &lt; 900 ppm per homogenous material. Also BFR/CFR/PVC Free

Solder Process Capability

Not applicable for solder process capability

#### Product Compliance Disclaimer

This information is provided based on reasonable inquiry of our suppliers and represents our current actual knowledge based on the information they provided. This information is subject to change. The part numbers that TE has identified as EU RoHS compliant have a maximum concentration of 0.1% by weight in homogenous materials for lead, hexavalent chromium, mercury, PBB, PBDE, DBP, BBP, DEHP, DIBP, and 0.01% for cadmium, or qualify for an exemption to these limits as defined in the Annexes of Directive 2011/65/EU (RoHS2). Finished electrical and electronic equipment products will be CE marked as required by Directive 2011/65/EU. Components may not be CE marked. Additionally, the part numbers that TE has identified as EU ELV compliant have a maximum concentration of 0.1% by weight in homogenous materials for lead, hexavalent chromium, and mercury, and 0.01% for cadmium, or qualify for an exemption to these limits as defined in the Annexes of Directive 2000/53/EC (ELV). Regarding the REACH Regulation, the information TE provides on SVHC in articles for this part number is based on the latest European Chemicals Agency (ECHA) 'Guidance on requirements for substances in articles' posted at this URL: <https://echa.europa.eu/guidance-documents/guidance-on-reach>

## Compatible Parts



TE Part # 170340-1  
FF 250 TAB 20-14AWG BR WITHOUT LATCH



TE Part # 170341-3  
FF 250 TAB 14-12AWG PTBR WITHOUT LATCH



TE Part # 170349-2  
FF 250 TAB 22-20AWG TPBR WITHOUT LATCH



TE Part # 170340-3  
FF 250 TAB 20-14AWG PTBR WITHOUT LATCH



TE Part # 170341-1  
FF 250 TAB 14-12AWG BR WITHOUT LATCH



TE Part # 170258-2  
FF 250 REC 14-12AWG TPBR REREELING



TE Part # 170258-1  
FF 250 REC 14-12AWG BR REREELING



TE Part # 880192-2  
5 WAY FF 110 HSG REC NYLON 66 NATURAL



TE Part # 968864-1  
FF 110 REC HSG 2P NYLON NAT



TE Part # 170349-1  
FF 250 TAB 22-20AWG BR WITHOUT LATCH

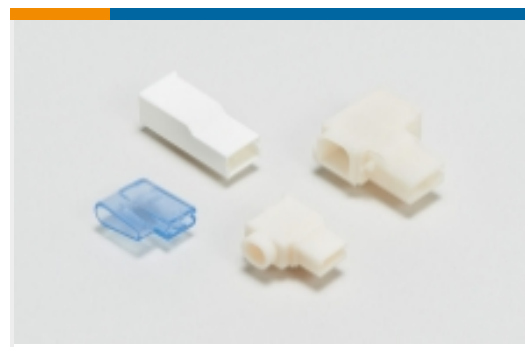


TE Part # 178024-7  
FF 250 CAP HSG DBL 6P PLATE

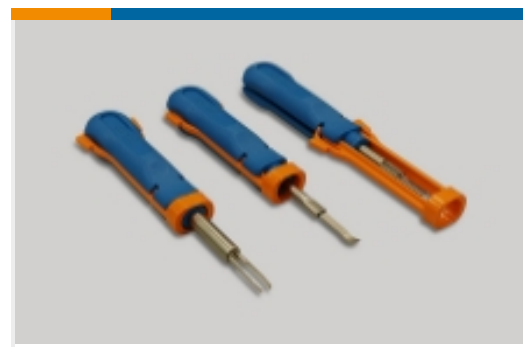


TE Part # 170341-4  
FF 250 TAB 14-12AWG PTBR WITHOUT LATCH

Also in the Series | **FASTIN-FASTON 250**



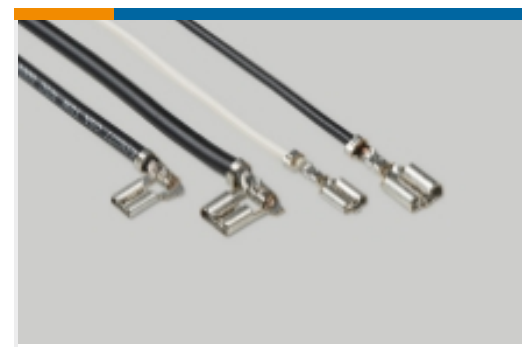
Crimp Terminal Housings(211)



Insertion & Extraction Tools(2)



PCB Terminals(2)



Quick Disconnects(254)

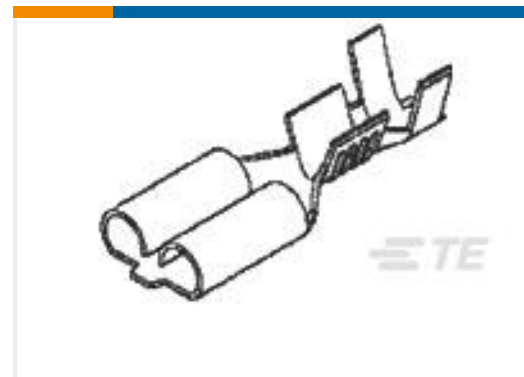
Customers Also Bought



TE Part #172128-1  
FF 250 REC HSG 1P NYLON NAT



TE Part #170341-3  
FF 250 TAB 14-12AWG PTBR WITHOUT LATCH



TE Part #170258-1  
FF 250 REC 14-12AWG BR REREELING



TE Part #2321918-5  
2.5mm Sealed Connector: Housings, Signal Double Lock Connectors



## Documents

### CAD Files

#### Customer View Model

[ENG\\_CVM\\_CVM\\_172129-1\\_F.2d\\_dxf.zip](#)

English

#### 3D PDF

3D

#### Customer View Model

[ENG\\_CVM\\_CVM\\_172129-1\\_F.3d\\_igs.zip](#)

English

#### Customer View Model

[ENG\\_CVM\\_CVM\\_172129-1\\_F.3d\\_stp.zip](#)

English

By downloading the CAD file I accept and agree to the [Terms and Conditions](#) of use.

### Datasheets & Catalog Pages

#### White Paper: Nylon Discoloration

English

### Product Specifications

#### Application Specification

English

### Product Environmental Compliance

[MD\\_172129-1\\_03012017525\\_dmtec](#)

English

[MD\\_172129-1\\_03012017525\\_dmtec](#)

English

### Instruction Sheets

#### Customer Manual (non U.S.)

Japanese

#### "250" Series, Housing Lance Connector

Japanese

### Agency Approvals

#### CSA Certificate



English

[CSA Certificate](#)

English