



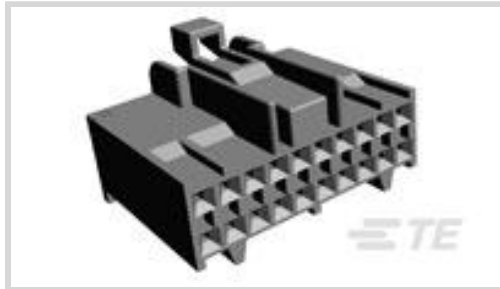
AMP

TE Internal #: 172047-2

Housing for Female Terminals, Wire-to-Board / Wire-to-Device, 20 Position, .118 in [3 mm] Centerline, Black, Signal, Cable Mount (Free-Hanging)

[View on TE.com >](#)

Connectors > Automotive Connectors > Automotive Housings



Connector System: **Wire-to-Board, Wire-to-Device**

Number of Positions: **20**

Connector & Housing Type: **Housing for Female Terminals**

Centerline (Pitch): **3 mm [ .118 in ]**

Sealable: **No**

**Features**

**Product Type Features**

Mixed & Hybrid Connector	No
Connector Shape	Rectangular
Connector System	Wire-to-Board, Wire-to-Device
Connector & Housing Type	Housing for Female Terminals
Sealable	No
Primary Locking Feature	On the Terminal

**Configuration Features**

Number of Positions	20
Number of Rows	2

**Electrical Characteristics**

Operating Voltage	12 VDC
Nominal Voltage Architecture	12 V

**Body Features**

Cable Exit Angle	180°
Primary Product Color	Black

**Contact Features**

Contact Size	.64mm
Contact Type	Receptacle



Mating Tab Width	.64 mm, 1.5 mm [.025 in][.059 in]
------------------	-----------------------------------

### Mechanical Attachment

Terminal Position Assurance	No
Strain Relief	Without
Mating Alignment Type	Polarized
Mating Alignment	With
Connector Mounting Type	Cable Mount (Free-Hanging)

### Housing Features

Housing Material	PA
Centerline (Pitch)	3 mm [.118 in]

### Dimensions

Connector Height	19.7 mm [.776 in]
Product Width	32 mm [1.26 in]
Row-to-Row Spacing	3.5 mm [.138 in]

### Usage Conditions

Operating Temperature (Max)	70 °C, 75 °C, 80 °C, 85 °C, 90 °C, 100 °C, 105 °C [158 °F][167 °F][176 °F][185 °F][194 °F][212 °F][221 °F]
Operating Temperature Range	-30 – 105 °C [-22 – 221 °F]

### Operation/Application

Circuit Application	Signal
---------------------	--------

### Industry Standards

UL Flammability Rating	UL 94HB
------------------------	---------

### Packaging Features

Packaging Method	Loose Piece
------------------	-------------

### Other

Serviceable	Yes
Connector Position Assurance Capable	No

### Product Compliance

[For compliance documentation, visit the product page on TE.com>](#)

EU RoHS Directive 2011/65/EU	Compliant
------------------------------	-----------



EU ELV Directive 2000/53/EC	Compliant
China RoHS 2 Directive MIIT Order No 32, 2016	No Restricted Materials Above Threshold
EU REACH Regulation (EC) No. 1907/2006	Current ECHA Candidate List: JUNE 2023 (235) Candidate List Declared Against: JUNE 2023 (235) Does not contain REACH SVHC
Halogen Content	Low Halogen - Br, Cl, F, I < 900 ppm per homogenous material. Also BFR/CFR/PVC Free
Solder Process Capability	Not applicable for solder process capability

Product Compliance Disclaimer

This information is provided based on reasonable inquiry of our suppliers and represents our current actual knowledge based on the information they provided. This information is subject to change. The part numbers that TE has identified as EU RoHS compliant have a maximum concentration of 0.1% by weight in homogenous materials for lead, hexavalent chromium, mercury, PBB, PBDE, DBP, BBP, DEHP, DIBP, and 0.01% for cadmium, or qualify for an exemption to these limits as defined in the Annexes of Directive 2011/65/EU (RoHS2). Finished electrical and electronic equipment products will be CE marked as required by Directive 2011/65/EU. Components may not be CE marked. Additionally, the part numbers that TE has identified as EU ELV compliant have a maximum concentration of 0.1% by weight in homogenous materials for lead, hexavalent chromium, and mercury, and 0.01% for cadmium, or qualify for an exemption to these limits as defined in the Annexes of Directive 2000/53/EC (ELV). Regarding the REACH Regulation, the information TE provides on SVHC in articles for this part number is based on the latest European Chemicals Agency (ECHA) 'Guidance on requirements for substances in articles' posted at this URL: <https://echa.europa.eu/guidance-documents/guidance-on-reach>

## Compatible Parts

TE Part # CAT-T319-T273  
TH/.025 CONNECTOR SYSTEM,  
RECPT AND TAB

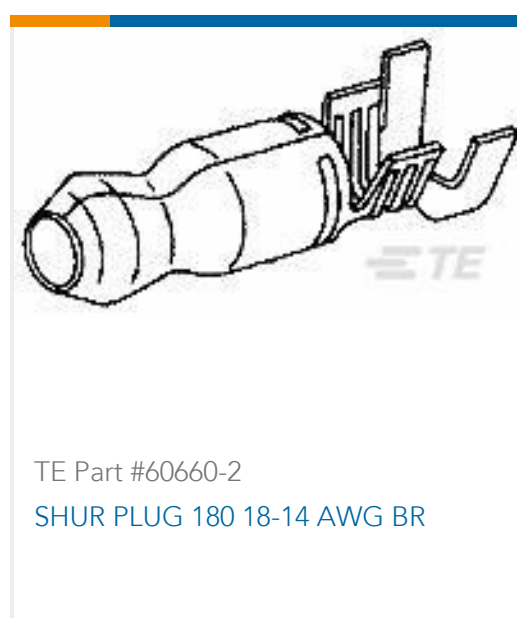
TE Part # 1-170291-1  
DLI REC CONTACT

TE Part # 172850-2  
DLI DOUBLE LOCK PLUG HSG 20P

TE Part # 1-170291-4  
DLI REC CONTACT

TE Part # 172851-1  
20P LOCKING DLI DBL LOCK

## Customers Also Bought



## Documents

### Product Drawings

DLI HSG 20 POS MOD IV TYPE

Japanese

### CAD Files

Customer View Model

[ENG\\_CVM\\_172047-2\\_O.3d\\_igs.zip](#)

English

Customer View Model

[ENG\\_CVM\\_172047-2\\_O.3d\\_stp.zip](#)

English

Customer View Model

[ENG\\_CVM\\_172047-2\\_O.2d\\_dxf.zip](#)

English

3D PDF

English

By downloading the CAD file I accept and agree to the [Terms and Conditions](#) of use.

### Product Specifications



### Product Specification

Japanese

---

### Instruction Sheets

**Customer Manual (non U.S.)**

Japanese

**Customer Manual (non U.S.)**

English

**DLI CONNECTORS**

English

**Customer Manual (non U.S.)**

English

**DLI CONNECTORS**

English

---

### Agency Approvals

**Agency Approval Document**

English