

1719105-2 ✓ ACTIVE

AMP | Junior Power Timer

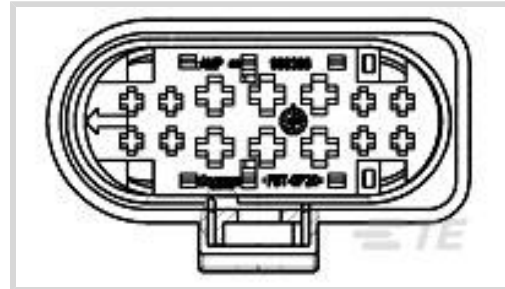
TE Internal #: 1719105-2

Housing for Female Terminals, Wire-to-Wire, 14 Position, .236 in / .177 in [6 mm / 4.5 mm] Centerline, Sealable, Blue, Junior Power Timer

[View on TE.com >](#)



Connectors > Automotive Connectors > Automotive Housings > Timer Connector Housing



Connector System: **Wire-to-Wire**

Number of Positions: **14**

Connector & Housing Type: **Housing for Female Terminals**

Centerline (Pitch): **4.5 mm, 6 mm [.177 in, .236 in]**

Sealable: **Yes**

[All Timer Connector Housing \(585\)](#)

Features

Product Type Features

Mixed & Hybrid Connector	Yes
Connector Shape	Rectangular
Connector System	Wire-to-Wire
Connector & Housing Type	Housing for Female Terminals
Sealable	Yes
Connector & Contact Terminates To	Wire & Cable
Primary Locking Feature	On the Terminal

Configuration Features

Number of Positions	14
Number of Rows	2

Electrical Characteristics

Operating Voltage	12 VDC
Nominal Voltage Architecture	14 V

Body Features

Primary Product Color	Blue
Connector & Keying Code	Neutral



Contact Features

Contact Size	1.6mm, 2.8mm
Contact Type	Receptacle
Mating Tab Width	1.6 mm, 2.8 mm [.063 in][.11 in]
Contact Current Rating (Max)	10 A, 30 A

Mechanical Attachment

Terminal Position Assurance	Yes
Strain Relief	Without
Mating Alignment Type	Polarized
Mating Alignment	With
Connector Mounting Type	Cable Mount (Free-Hanging)

Housing Features

Housing Material	PBT GF
Centerline (Pitch)	4.5 mm, 6 mm [.177 in][.236 in]

Dimensions

Connector Height	23.1 mm [.909 in]
Product Width	33 mm [1.299 in]
Product Length	48.3 mm [1.902 in]
Row-to-Row Spacing	3.5 mm [.138 in]

Usage Conditions

Operating Temperature (Max)	130 °C [266 °F]
Operating Temperature Range	-40 – 130 °C [-40 – 266 °F]

Operation/Application

Circuit Application	Power & Signal
---------------------	----------------

Packaging Features

Packaging Quantity	200
Packaging Method	Box

Other

Serviceable	Yes
Connector Position Assurance Capable	No

Product Compliance



[For compliance documentation, visit the product page on TE.com>](#)

EU RoHS Directive 2011/65/EU	Compliant
EU ELV Directive 2000/53/EC	Compliant
China RoHS 2 Directive MIIT Order No 32, 2016	No Restricted Materials Above Threshold
EU REACH Regulation (EC) No. 1907/2006	Current ECHA Candidate List: JUNE 2023 (235) Candidate List Declared Against: JAN 2023 (233) Does not contain REACH SVHC
Halogen Content	Low Halogen - Br, Cl, F, I < 900 ppm per homogenous material. Also BFR/CFR/PVC Free
Solder Process Capability	Not applicable for solder process capability

Product Compliance Disclaimer

This information is provided based on reasonable inquiry of our suppliers and represents our current actual knowledge based on the information they provided. This information is subject to change. The part numbers that TE has identified as EU RoHS compliant have a maximum concentration of 0.1% by weight in homogenous materials for lead, hexavalent chromium, mercury, PBB, PBDE, DBP, BBP, DEHP, DIBP, and 0.01% for cadmium, or qualify for an exemption to these limits as defined in the Annexes of Directive 2011/65/EU (RoHS2). Finished electrical and electronic equipment products will be CE marked as required by Directive 2011/65/EU. Components may not be CE marked. Additionally, the part numbers that TE has identified as EU ELV compliant have a maximum concentration of 0.1% by weight in homogenous materials for lead, hexavalent chromium, and mercury, and 0.01% for cadmium, or qualify for an exemption to these limits as defined in the Annexes of Directive 2000/53/EC (ELV). Regarding the REACH Regulation, the information TE provides on SVHC in articles for this part number is based on the latest European Chemicals Agency (ECHA) 'Guidance on requirements for substances in articles' posted at this URL: <https://echa.europa.eu/guidance-documents/guidance-on-reach>

Compatible Parts



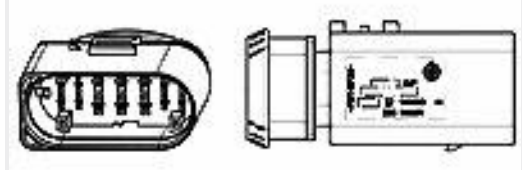
TE Part # 964972-1
EINZELLEITERDICHTNG



TE Part # 963294-1
SINGLE WIRE SEAL INSULATION DI



TE Part # CAT-T4827-T273
TIMER, RECEPTACLE AND TAB



TE Part # 1-969871-1
2,8/1,5FL-ST-GEH14P



TE Part # 3-969871-1
2,8/1,5FL-ST-GEH10P

Also in the Series | Junior Power Timer



Automotive Connector Caps & Covers (5)



Automotive Housings(252)



Automotive Terminals(86)



Busbars & Terminals(1)



Connector Seals & Cavity Plugs(10)



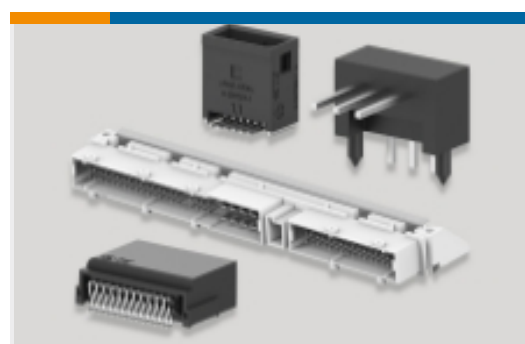
Insertion & Extraction Tools(8)



Module Components(6)

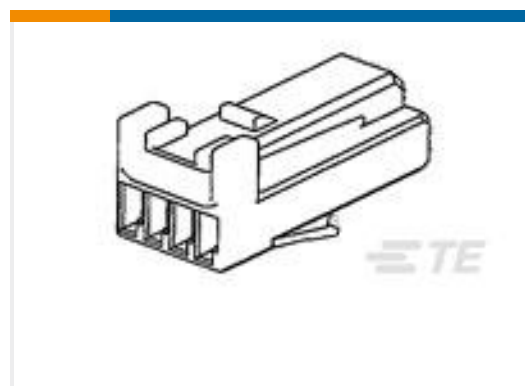


Other Automotive Connector Accessories(1)



PCB Headers & Receptacles(1)

Customers Also Bought



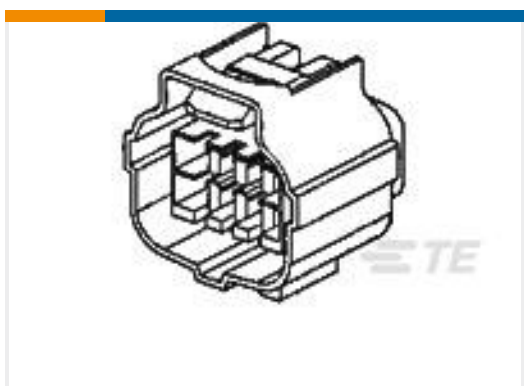
TE Part #1318620-1
025 ANCHOR HEIGHT SENSOR 4POS PLUG HSG



TE Part #1-969508-2
6POS MQS REC COD A



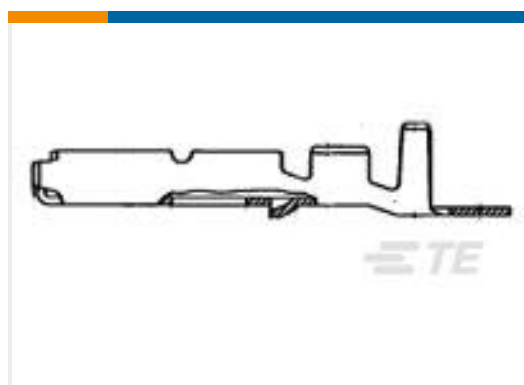
TE Part #968075-2
MPO2,8 Sn rec LL unseal. >1-2,5



TE Part #444011-1
KIT ECONOSEAL J 12



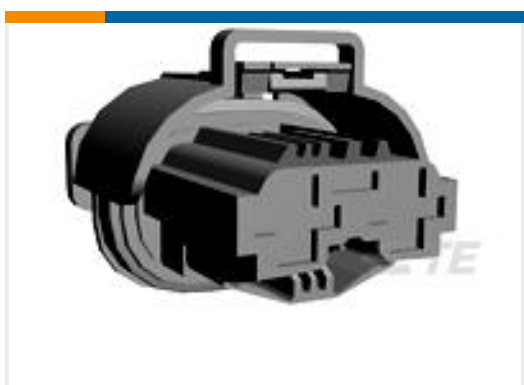
TE Part #1-1564559-1
4POS, MCON 1.2 LL TAB SEALED COD A



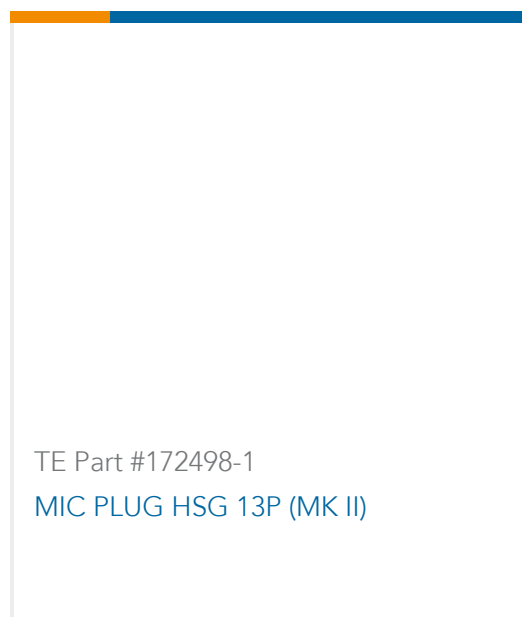
TE Part #172773-4
MIC MARK-2 REC B TYPE CONTACT



TE Part #178471-2
DOUBLE LOCK CONNECTOR 250 ASSEMBLY



TE Part #1544317-2
PC 2V 8MM WP NG1 B



Documents

Product Drawings

14POS,JPT,REC. HSG

English

CAD Files

3D PDF

3D

Customer View Model

ENG_CVM_CVM_1719105-2_B.2d_dxf.zip

English

Customer View Model

ENG_CVM_CVM_1719105-2_B.3d_igs.zip

English

Customer View Model

ENG_CVM_CVM_1719105-2_B.3d_stp.zip

English

By downloading the CAD file I accept and agree to the [Terms and Conditions](#) of use.

Datasheets & Catalog Pages

Timer Interconnection System

English

Product Specifications

Application Specification

English