

171898-1 ✓ ACTIVE

FASTIN-FASTON | FASTIN-FASTON 250

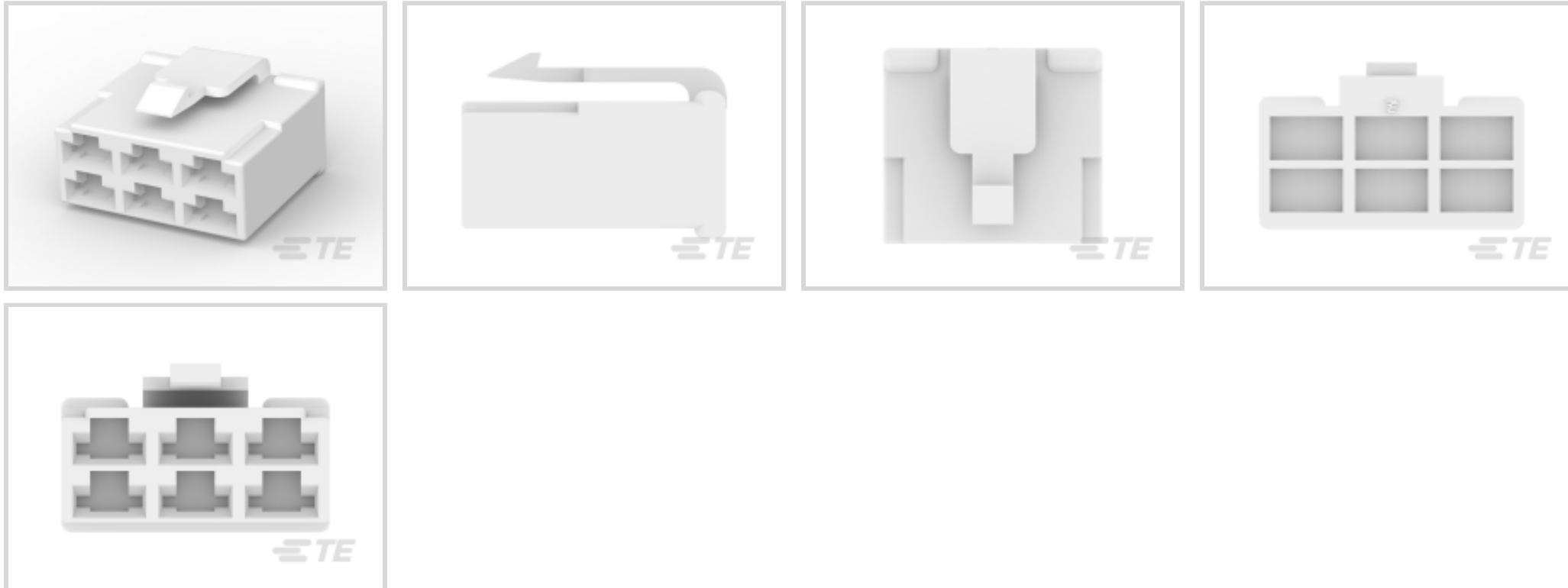
TE Internal #: 171898-1

Crimp Terminal Housings, Receptacle, Receptacle, 6 Position,  
Straight, UL 94V-0, Natural, Nylon, Contact Mating Retention,  
FASTIN-FASTON 250

[View on TE.com >](#)



Terminals & Splices > Terminal Housings, Insulation Sleeves & Blocks > Crimp Terminal Housings



Terminal Type: **Receptacle**

Connector & Housing Type: **Receptacle**

Number of Positions: **6**

Terminal Orientation: **Straight**

UL Flammability Rating: **UL 94V-0**

## Features

### Product Type Features

Sealable	No
Connector & Contact Terminates To	Wire & Cable
Connector & Housing Type	Receptacle

### Configuration Features

Number of Positions	6
---------------------	---

### Body Features

Primary Product Color	Natural
-----------------------	---------

### Contact Features

Terminal Type	Receptacle
Terminal Orientation	Straight
Contact Mating Retention	With

### Mechanical Attachment

Mating Retention Type	Latch
-----------------------	-------



Mating Alignment	With
Connector Mounting Type	Cable Mount (Free-Hanging)

### Housing Features

Housing Material	Nylon
Centerline (Pitch)	9 mm[.354 in]

### Dimensions

Product Length	25 mm[.984 in]
----------------	----------------

### Usage Conditions

Operating Temperature Range	-40 – 105 °C[-40 – 221 °F]
-----------------------------	----------------------------

### Industry Standards

UL Flammability Rating	UL 94V-0
------------------------	----------

### Packaging Features

Packaging Quantity	100
--------------------	-----

## Product Compliance

[For compliance documentation, visit the product page on TE.com>](#)

EU RoHS Directive 2011/65/EU	Compliant
EU ELV Directive 2000/53/EC	Compliant
China RoHS 2 Directive MIIT Order No 32, 2016	No Restricted Materials Above Threshold
EU REACH Regulation (EC) No. 1907/2006	Current ECHA Candidate List: JUNE 2023 (235) Candidate List Declared Against: JUNE 2023 (235) Does not contain REACH SVHC
Halogen Content	Low Halogen - Br, Cl, F, I < 900 ppm per homogenous material. Also BFR/CFR/PVC Free
Solder Process Capability	Not applicable for solder process capability

#### Product Compliance Disclaimer

This information is provided based on reasonable inquiry of our suppliers and represents our current actual knowledge based on the information they provided. This information is subject to change. The part numbers that TE has identified as EU RoHS compliant have a maximum concentration of 0.1% by weight in homogenous materials for lead, hexavalent chromium, mercury, PBB, PBDE, DBP, BBP, DEHP, DIBP, and 0.01% for cadmium, or qualify for an exemption to these limits as defined in the Annexes of Directive 2011/65/EU (RoHS2). Finished electrical and electronic equipment products will be CE marked as required by Directive 2011/65/EU. Components may not be CE marked. Additionally, the part numbers that TE has identified as EU ELV compliant have a maximum concentration of 0.1% by weight in homogenous materials for lead, hexavalent chromium, and mercury, and 0.01% for cadmium, or qualify for an exemption to these limits as defined in the Annexes of Directive 2000/53/EC (ELV). Regarding the REACH Regulation, the information TE provides on SVHC in articles for this part number is based on the latest European Chemicals Agency (ECHA) 'Guidance on

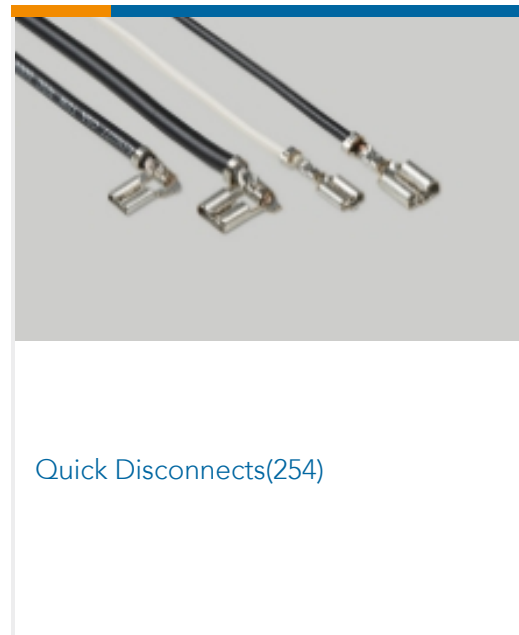
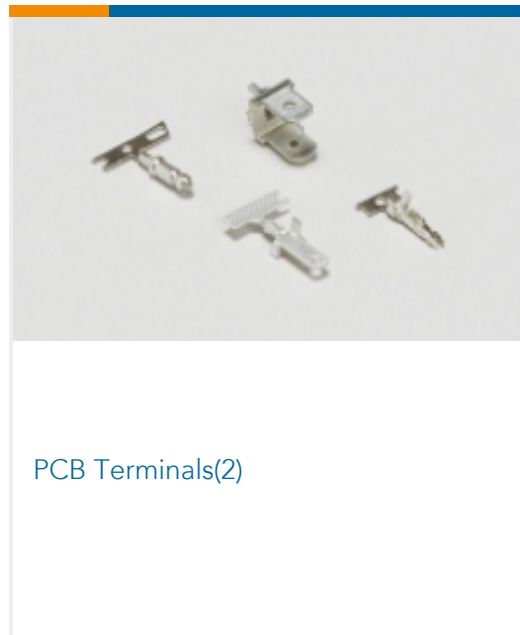
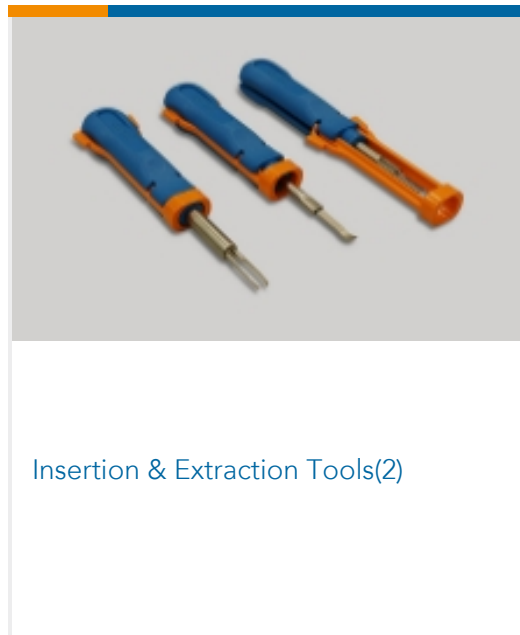
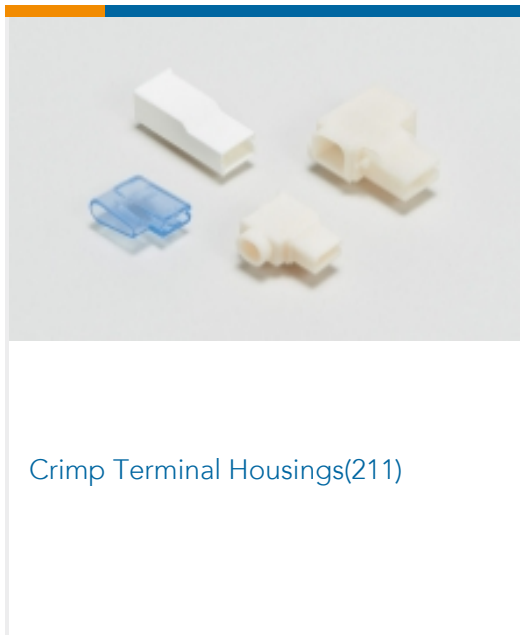
requirements for substances in articles' posted at this URL: <https://echa.europa.eu/guidance-documents/guidance-on-reach>

## Compatible Parts

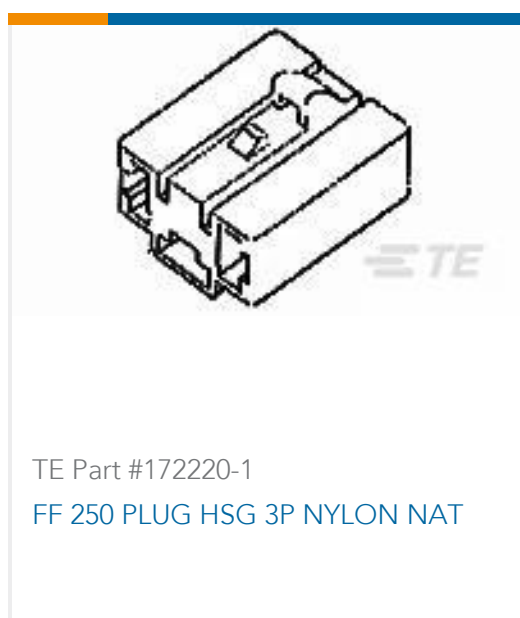
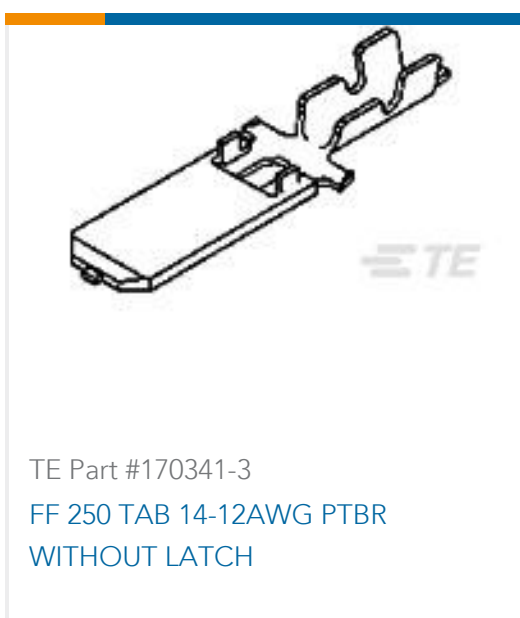
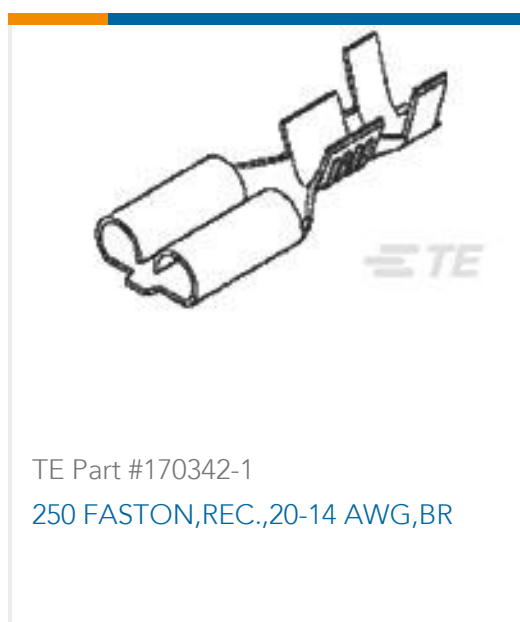
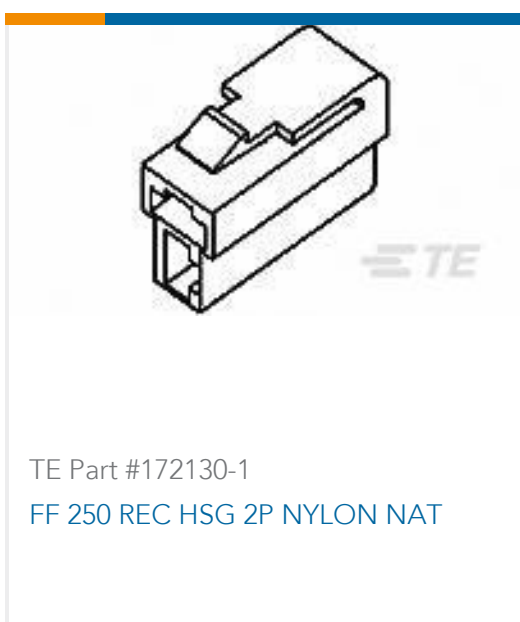
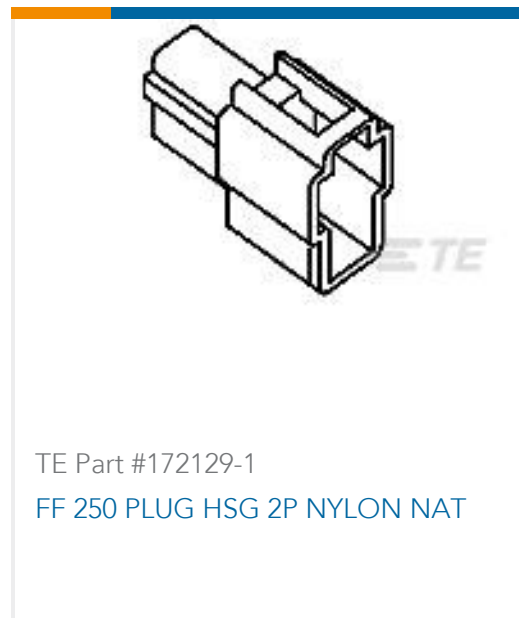
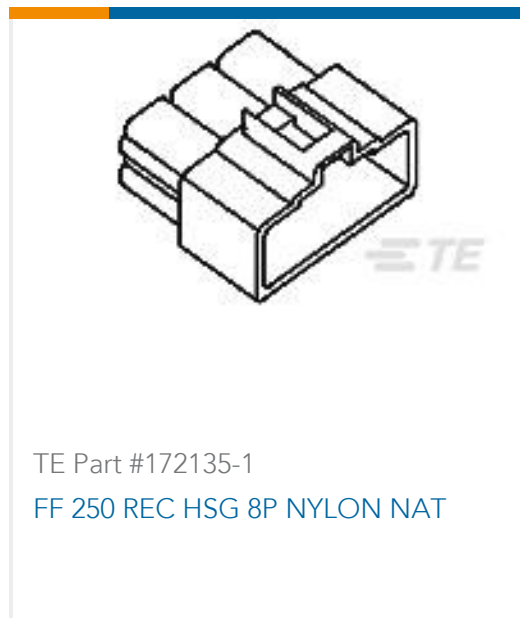
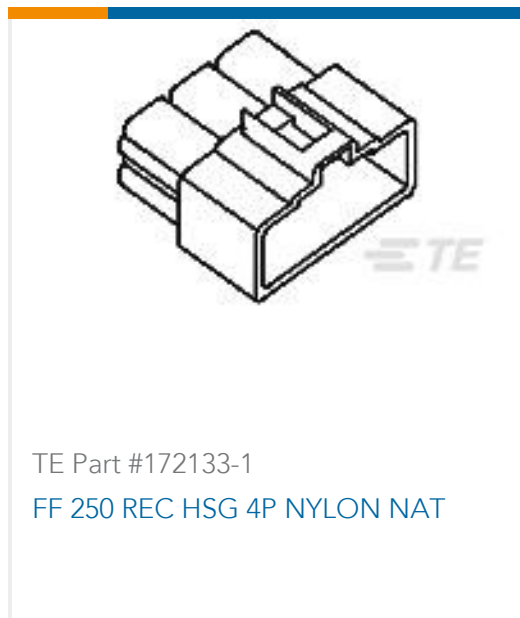
 <p>TE Part # 171897-1 FF 250 REC HSG 6P NYLON NAT</p>	 <p>TE Part # 170342-1 250 FASTON,REC.,20-14 AWG,BR</p>	 <p>TE Part # 346027-1 FASTIN FASTON HOUSING RECEPTACLE</p>	 <p>TE Part # 170258-2 FF 250 REC 14-12AWG TPBR REREELING</p>
 <p>TE Part # 170258-1 FF 250 REC 14-12AWG BR REREELING</p>	 <p>TE Part # 1-626040-0 RELY BASE MOLDING 5W POLYPROPYLENE</p>	 <p>TE Part # 880192-2 5 WAY FF 110 HSG REC NYLON 66 NATURAL</p>	 <p>TE Part # 176986-1 FF 250 PLUG HSG 1P NYLON NAT</p>
 <p>TE Part # 175979-1 FF 187 PLUG HSG 8P NYLON NAT</p>	 <p>TE Part # 171898-3 FF 250 PLUG HSG 6P NYLON NAT</p>	 <p>TE Part # 171898-9 CONNECTOR .250 (6.3 MM) HOUSING</p>	 <p>TE Part # 175978-1 CAP HOUSING 187 (4.8 MM) ASSEMBLY</p>
 <p>TE Part # 178005-1 FF 250 PLUG HSG 4P NYLON NAT</p>	 <p>TE Part # 178023-1 FF 250 PLUG HSG 6P DBL LOCK NATURAL</p>	 <p>TE Part # 178023-2 FF 250 PLUG HSG 6P DBL LOCK BLCBK</p>	 <p>TE Part # 178023-5 FF 250 PLUG HSG 6P DBL LOCK BLUE</p>



### Also in the Series | FASTIN-FASTON 250



### Customers Also Bought





## Documents

### Product Drawings

#### FF 250 PLUG HSG 6P NYLON NAT

English

---

### CAD Files

#### Customer View Model

##### ENG\_CVM\_CVM\_171898-1\_M.2d\_dxf.zip

English

#### 3D PDF

3D

#### Customer View Model

##### ENG\_CVM\_CVM\_171898-1\_M.3d\_igs.zip

English

#### Customer View Model

##### ENG\_CVM\_CVM\_171898-1\_M.3d\_stp.zip

English

By downloading the CAD file I accept and agree to the [Terms and Conditions](#) of use.

---

### Datasheets & Catalog Pages

#### White Paper: Nylon Discoloration

English

---

### Product Specifications

#### Application Specification

English

#### Crimping of 250 Series Tab and Receptacle Contacts

Japanese

#### Application Specification

Japanese

---

### Product Environmental Compliance

#### Product Compliance

English

#### Product Compliance

English

---

### Instruction Sheets

#### Customer Manual (non U.S.)

Japanese

#### "250" Series, Housing Lance Connector

Japanese

---

### Agency Approvals

#### CSA Certificate

English



[CSA Certificate](#)

English