

1718329-1 ✓ ACTIVE

AMP | LEAVYSEAL

TE Internal #: 1718329-1

Other Automotive Connector Accessories, Adapter Plate, PBT GF,
Black, -40 – 140 °C [-40 – 284 °F], LEAVYSEAL

[View on TE.com >](#)



[Connectors >](#) [Automotive Connectors >](#) [Automotive Connector Accessories >](#) [Other Automotive Connector Accessories >](#)

[LEAVYSEAL Mounting Accessories](#)



Automotive Connector Accessory Type: **Adapter Plate**

Primary Product Material: **PBT GF**

Primary Product Color: **Black**

Number of Positions: **39, 62**

Operating Temperature Range: **-40 – 140 °C [-40 – 284 °F]**

[All LEAVYSEAL Mounting Accessories \(8\)](#)

Features

Product Type Features

Automotive Connector Accessory Type	Adapter Plate
-------------------------------------	---------------

Configuration Features

Number of Positions	39, 62
---------------------	--------

Body Features

Primary Product Material	PBT GF
--------------------------	--------

Primary Product Color	Black
-----------------------	-------

Usage Conditions

Compatible With Connector Style	Housing For Male Terminals
---------------------------------	----------------------------

Operating Temperature Range	-40 – 140 °C[-40 – 284 °F]
-----------------------------	----------------------------

Industry Standards

UL Flammability Rating	UL 94HB
------------------------	---------

Packaging Features



Packaging Quantity	120
Packaging Method	Box

Other

Serviceable	Yes
-------------	-----

Product Compliance

[For compliance documentation, visit the product page on TE.com>](#)

EU RoHS Directive 2011/65/EU	Compliant
EU ELV Directive 2000/53/EC	Compliant
China RoHS 2 Directive MIIT Order No 32, 2016	No Restricted Materials Above Threshold
EU REACH Regulation (EC) No. 1907/2006	Current ECHA Candidate List: JUNE 2023 (235) Candidate List Declared Against: JUNE 2023 (235) Does not contain REACH SVHC
Halogen Content	Low Halogen - Br, Cl, F, I < 900 ppm per homogenous material. Also BFR/CFR/PVC Free
Solder Process Capability	Not applicable for solder process capability

Product Compliance Disclaimer

This information is provided based on reasonable inquiry of our suppliers and represents our current actual knowledge based on the information they provided. This information is subject to change. The part numbers that TE has identified as EU RoHS compliant have a maximum concentration of 0.1% by weight in homogenous materials for lead, hexavalent chromium, mercury, PBB, PBDE, DBP, BBP, DEHP, DIBP, and 0.01% for cadmium, or qualify for an exemption to these limits as defined in the Annexes of Directive 2011/65/EU (RoHS2). Finished electrical and electronic equipment products will be CE marked as required by Directive 2011/65/EU. Components may not be CE marked. Additionally, the part numbers that TE has identified as EU ELV compliant have a maximum concentration of 0.1% by weight in homogenous materials for lead, hexavalent chromium, and mercury, and 0.01% for cadmium, or qualify for an exemption to these limits as defined in the Annexes of Directive 2000/53/EC (ELV). Regarding the REACH Regulation, the information TE provides on SVHC in articles for this part number is based on the latest European Chemicals Agency (ECHA) 'Guidance on requirements for substances in articles' posted at this URL: <https://echa.europa.eu/guidance-documents/guidance-on-reach>

Compatible Parts

TE Part # CAT-L489-CH8172
LEAVYSEAL Housings

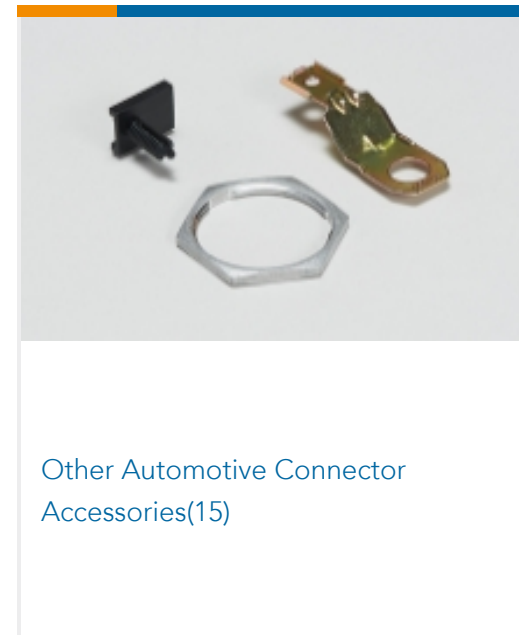
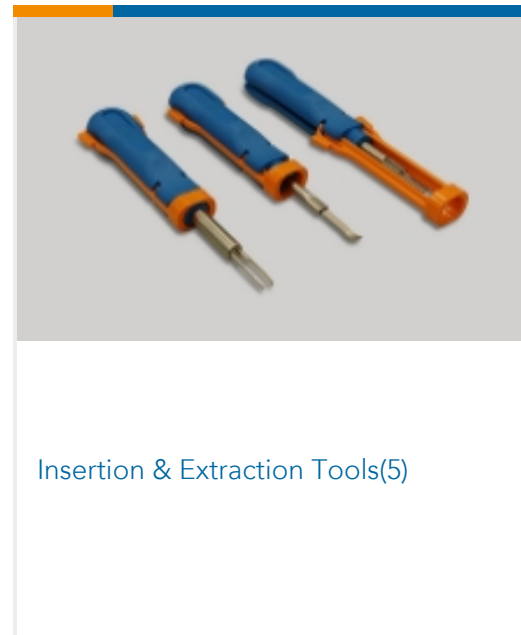
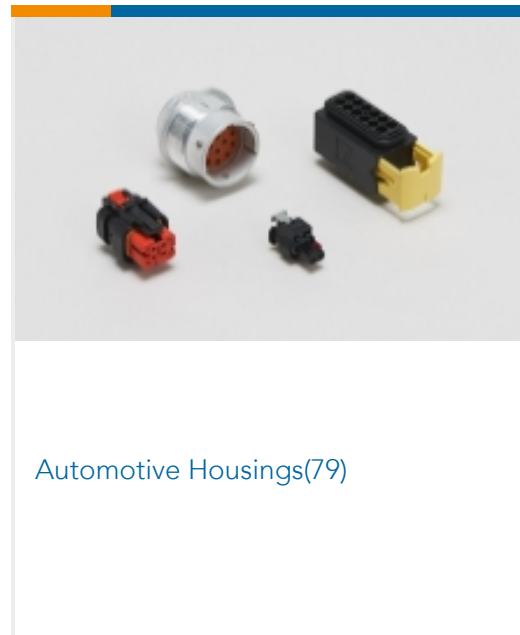
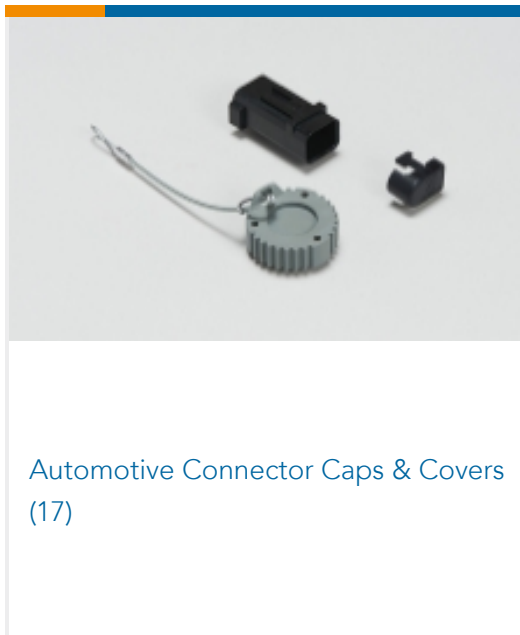
TE Part # 2098819-2
BLIND CONNECTOR, TAB HSG ASSY, LEAVYSEAL

TE Part # 2358801-1
62POS, 2.8X0.8, TAB HSG ASSY, SLD, COD A

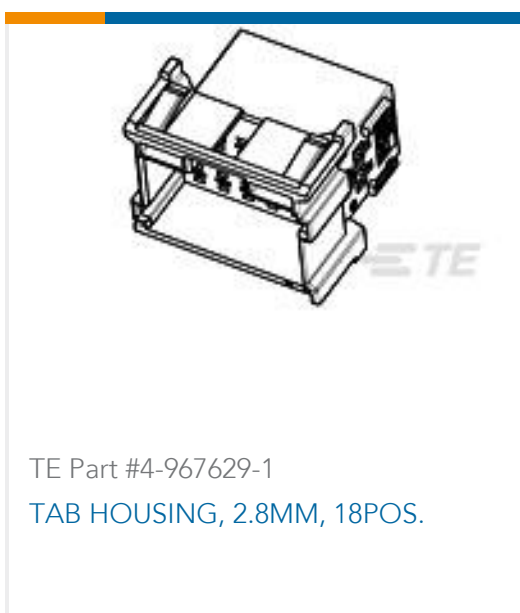
TE Part # 2358801-2
62POS, 2.8X0.8, TAB HSG ASSY, SLD, COD B

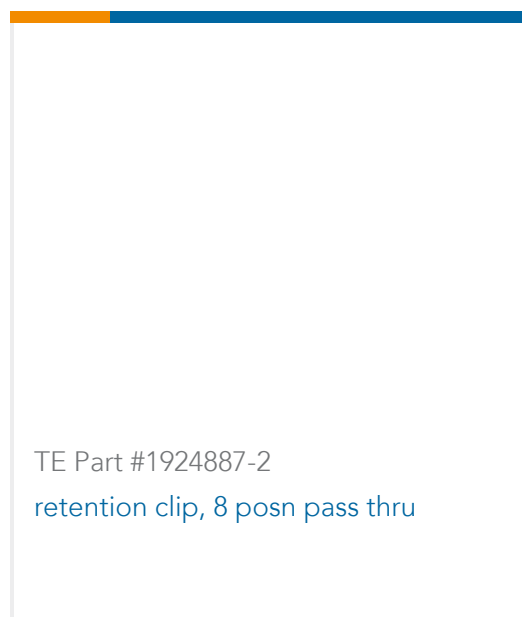


Also in the Series | LEAVYSEAL



Customers Also Bought





Documents

Product Drawings

[ADAPTER FOR TAB HSG 39 POS,62P](#)

English

CAD Files

[3D PDF](#)

English

[Customer View Model](#)

[ENG_CVM_1718329-1_A2.2d_dxf.zip](#)

English

[Customer View Model](#)

[ENG_CVM_1718329-1_A2.3d_igs.zip](#)

English

[Customer View Model](#)

[ENG_CVM_1718329-1_A2.3d_stp.zip](#)

English

By downloading the CAD file I accept and agree to the [Terms and Conditions](#) of use.

Datasheets & Catalog Pages

[CONNECTOR SELECTOR](#)

English

Product Specifications

[Application Specification](#)

German