

1717268-1 ✓ ACTIVE

Positive Lock | Positive Lock 250

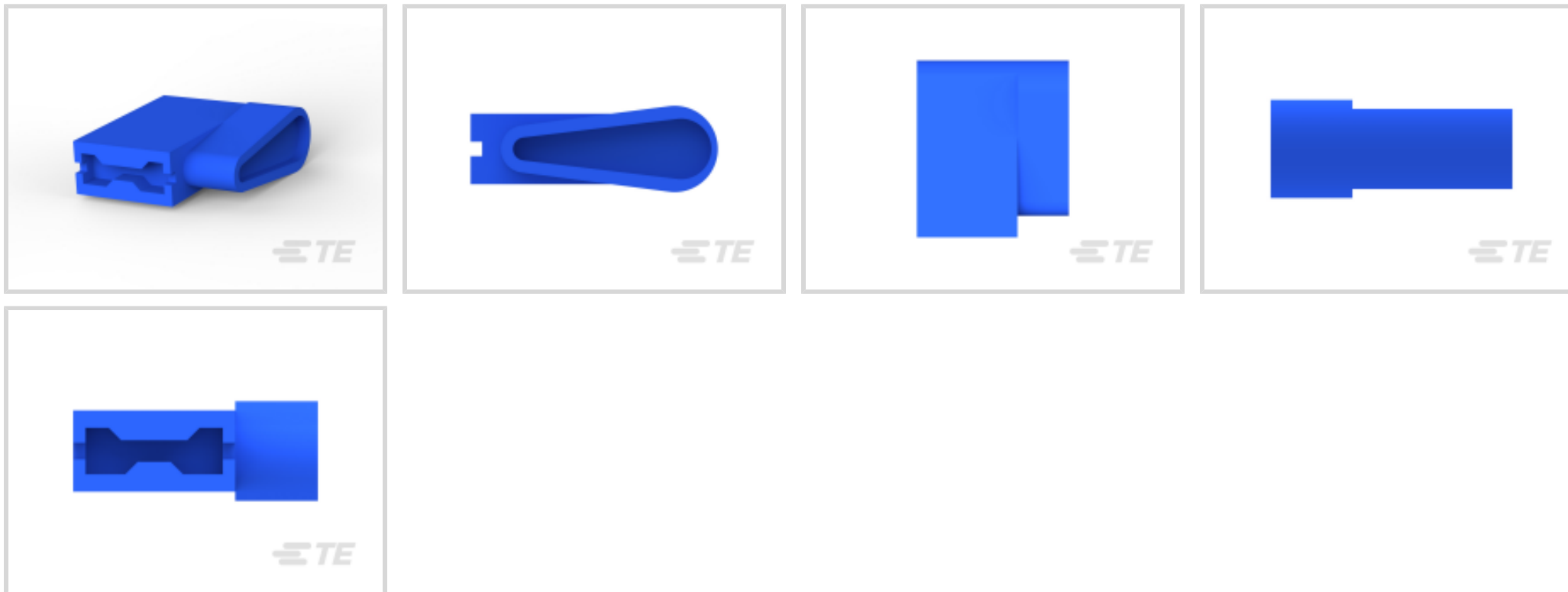
TE Internal #: 1717268-1

Insulation Boots & Sleeves, Insulation Sleeve, Flag, PVC, Blue, Bag,
-40 – 221 °F [-40 – 105 °C], Positive Lock 250

[View on TE.com >](#)



Terminals & Splices > Terminal Housings, Insulation Sleeves & Blocks > Insulation Boots & Sleeves



Insulation Boot & Sleeve Product Type: **Insulation Sleeve**

Terminal Orientation: **Flag**

Primary Product Material: **PVC**

Primary Product Color: **Blue**

Packaging Method: **Bag**

Features

Product Type Features

| | |
|---------------------------------------|-------------------|
| Insulation Boot & Sleeve Product Type | Insulation Sleeve |
|---------------------------------------|-------------------|

Configuration Features

| | |
|---------------------|---|
| Number of Positions | 1 |
|---------------------|---|

Body Features

| | |
|--------------------------|------|
| Primary Product Material | PVC |
| Primary Product Color | Blue |

Contact Features

| | |
|------------------------|------------|
| Accepts Terminal Style | Receptacle |
| Terminal Orientation | Flag |

Dimensions

| | |
|----------------|------------------|
| Product Length | 17.2 mm[.677 in] |
|----------------|------------------|

Usage Conditions

| | |
|-----------------------------|----------------------------|
| Operating Temperature Range | -40 – 105 °C[-40 – 221 °F] |
|-----------------------------|----------------------------|

Industry Standards



| | |
|------------------------|----------|
| UL Flammability Rating | UL 94V-0 |
|------------------------|----------|

Packaging Features

| | |
|--------------------|------|
| Packaging Quantity | 1000 |
| Packaging Method | Bag |

Product Compliance

[For compliance documentation, visit the product page on TE.com>](#)

| | |
|---|---|
| EU RoHS Directive 2011/65/EU | Compliant |
| EU ELV Directive 2000/53/EC | Compliant |
| China RoHS 2 Directive MIIT Order No 32, 2016 | No Restricted Materials Above Threshold |
| EU REACH Regulation (EC) No. 1907/2006 | Current ECHA Candidate List: JUNE 2023 (235) Candidate List Declared Against: JUNE 2023 (235) Does not contain REACH SVHC |
| Halogen Content | Not Low Halogen - contains Br or Cl > 900 ppm. |
| Solder Process Capability | Not applicable for solder process capability |

Product Compliance Disclaimer

This information is provided based on reasonable inquiry of our suppliers and represents our current actual knowledge based on the information they provided. This information is subject to change. The part numbers that TE has identified as EU RoHS compliant have a maximum concentration of 0.1% by weight in homogenous materials for lead, hexavalent chromium, mercury, PBB, PBDE, DBP, BBP, DEHP, DIBP, and 0.01% for cadmium, or qualify for an exemption to these limits as defined in the Annexes of Directive 2011/65/EU (RoHS2). Finished electrical and electronic equipment products will be CE marked as required by Directive 2011/65/EU. Components may not be CE marked. Additionally, the part numbers that TE has identified as EU ELV compliant have a maximum concentration of 0.1% by weight in homogenous materials for lead, hexavalent chromium, and mercury, and 0.01% for cadmium, or qualify for an exemption to these limits as defined in the Annexes of Directive 2000/53/EC (ELV). Regarding the REACH Regulation, the information TE provides on SVHC in articles for this part number is based on the latest European Chemicals Agency (ECHA) 'Guidance on requirements for substances in articles' posted at this URL: <https://echa.europa.eu/guidance-documents/guidance-on-reach>

Compatible Parts



Also in the Series | Positive Lock 250



Automotive Terminals(1)



Crimp Terminal Housings(193)



Insertion & Extraction Tools(3)

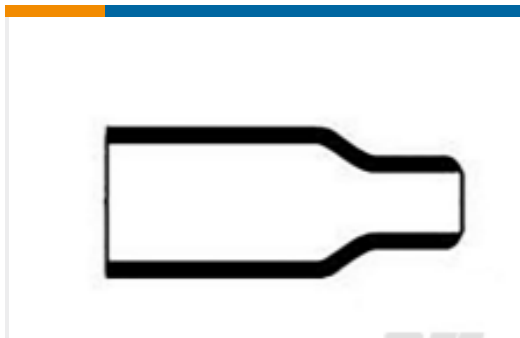


Insulation Boots & Sleeves(4)

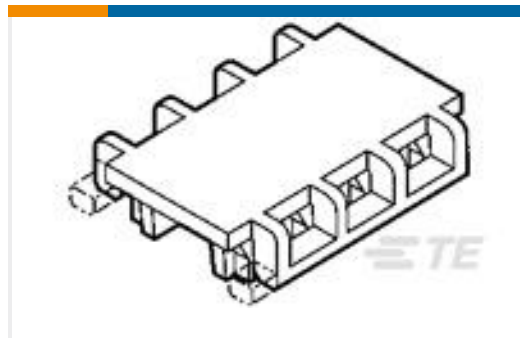


Quick Disconnects(186)

Customers Also Bought



TE Part #806606-000
Heat Shrink Boots: Non Lipped, Straight



TE Part #643077-2
02P MTA100 MOLDED COVER F/T



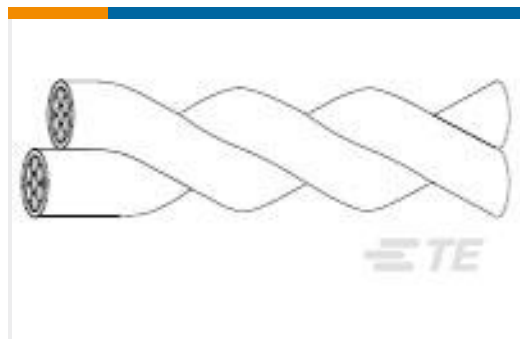
TE Part #8-640923-1
RECEPT,PIDG FASTON 22-18 110



TE Part #5070042035
RNF-100-1/8-X-STK



TE Part #3823593004
44A1121-26-2/6-9



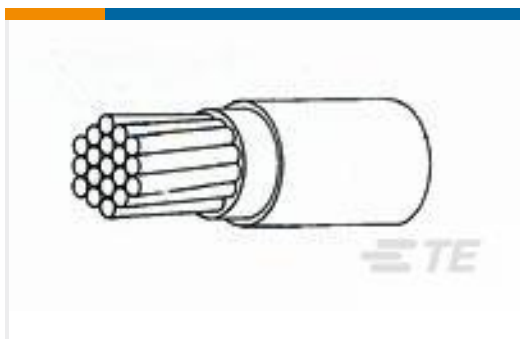
TE Part #3823123016
44A0121-24-0/9



TE Part #5070034031
RNF-100-3/32-X-SP



TE Part #640923-2
RECEPT,PIDG, FASTON, .110 SERIES, 22-18



TE Part #2820273008
44A0111-20-7



Documents

Product Drawings

[PL EX 250 INSULATED FLAG REC PVC V-0](#)

English

CAD Files

3D PDF

3D

Customer View Model

[ENG_CVM_CVM_1717268-1_O.2d_dxf.zip](#)

English

Customer View Model

[ENG_CVM_CVM_1717268-1_O.3d_igs.zip](#)

English

Customer View Model

[ENG_CVM_CVM_1717268-1_O.3d_stp.zip](#)

English

By downloading the CAD file I accept and agree to the [Terms and Conditions](#) of use.