

171370-3 ✓ ACTIVE

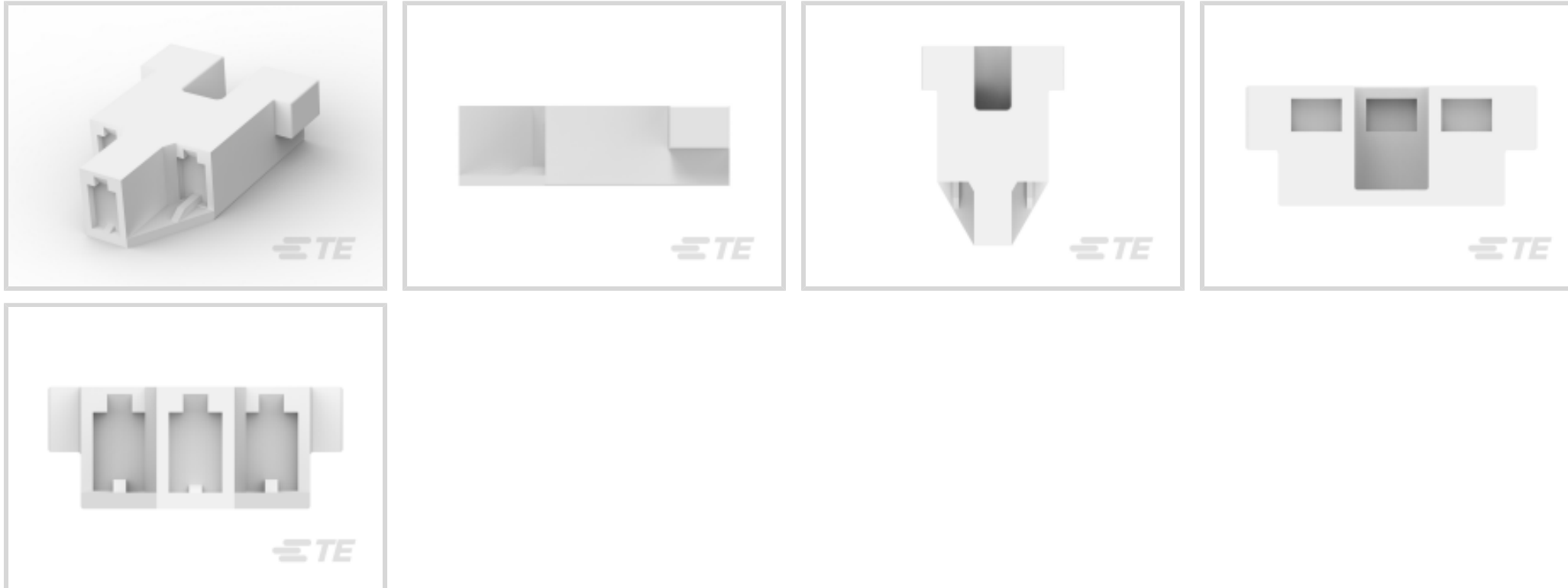
TE Internal #: 171370-3

Cluster Blocks, 3 Circuits, PBT GF, 20 – 16 AWG Wire Size, .5 – 1.42 mm² Wire Size, -4 – 248 °F [-20 – 120 °C]

[View on TE.com >](#)



Terminals & Splices > Terminal Housings, Insulation Sleeves & Blocks > Cluster Blocks



Number of Circuits: 3

Primary Product Material: PBT GF

Wire Size: .5 – 1.42 mm²

Operating Temperature Range: -20 – 120 °C [-4 – 248 °F]

Features

Product Type Features

Compatible With Discrete Wire Type

Lead Wire

Configuration Features

Number of Circuits

3

Body Features

Primary Product Color

Natural

Primary Product Material

PBT GF

Contact Features

Mating Pin Diameter

2.29 mm[.09 in]

Mechanical Attachment

Block Mounting Configuration

2 Forward - 1 Back

Mount Diameter

2.7 mm[.106 in]

Mating Alignment Type

Polarization

Dimensions

Compatible Insulation Diameter (Max)

3.4 mm[.134 in]

Product Length

31.6 mm[1.24 in]

Compatible Insulation Diameter Range	2 mm [.079 in]
--------------------------------------	----------------

Wire Size	.5 – 1.42 mm ²
-----------	---------------------------

Usage Conditions

Operating Temperature Range	-20 – 120 °C [-4 – 248 °F]
-----------------------------	----------------------------

Industry Standards

UL Flammability Rating	UL 94HB
------------------------	---------

Packaging Features

Packaging Quantity	500
--------------------	-----

Packaging Method	Bag
------------------	-----

Product Compliance

For compliance documentation, visit the product page on [TE.com](https://www.te.com)>

EU RoHS Directive 2011/65/EU	Compliant
------------------------------	-----------

EU ELV Directive 2000/53/EC	Compliant
-----------------------------	-----------

China RoHS 2 Directive MIIT Order No 32, 2016	No Restricted Materials Above Threshold
---	---

EU REACH Regulation (EC) No. 1907/2006	Current ECHA Candidate List: JUNE 2023 (235) Candidate List Declared Against: JUNE 2023 (235) Does not contain REACH SVHC
--	---

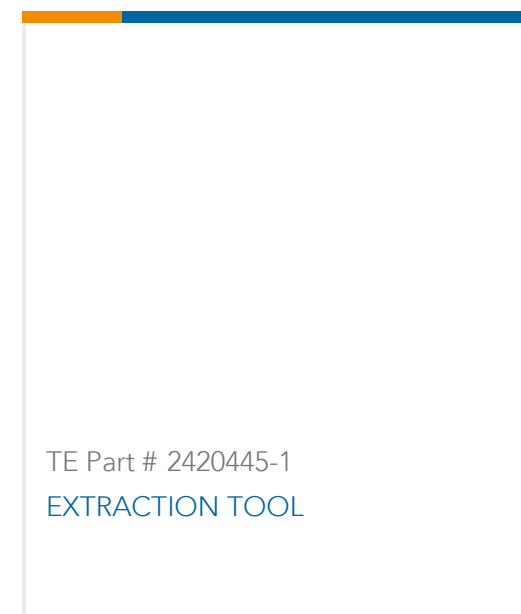
Halogen Content	Low Halogen - Br, Cl, F, I < 900 ppm per homogenous material. Also BFR/CFR/PVC Free
-----------------	---

Solder Process Capability	Not applicable for solder process capability
---------------------------	--

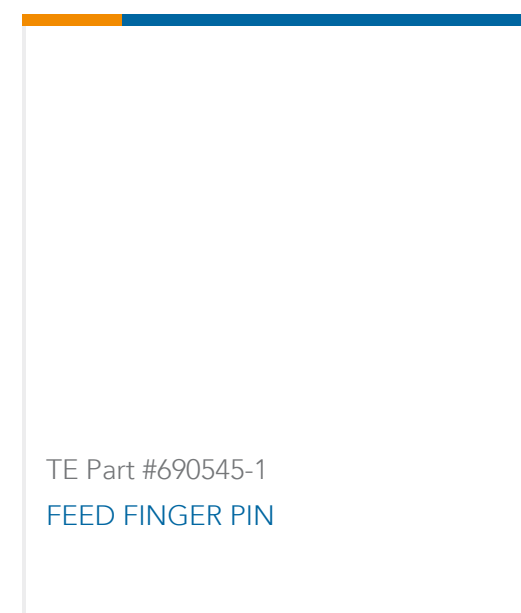
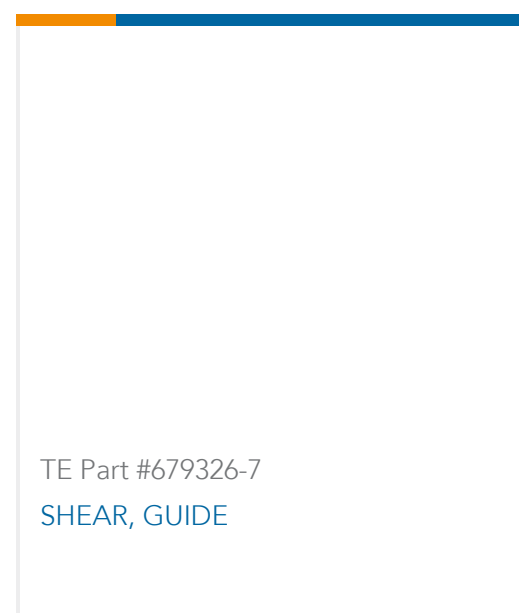
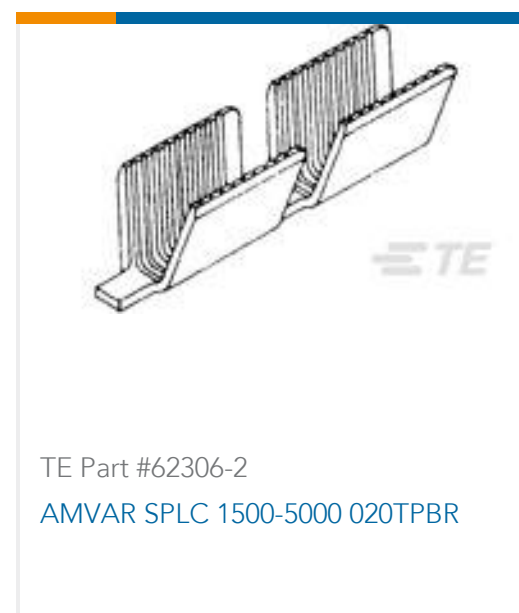
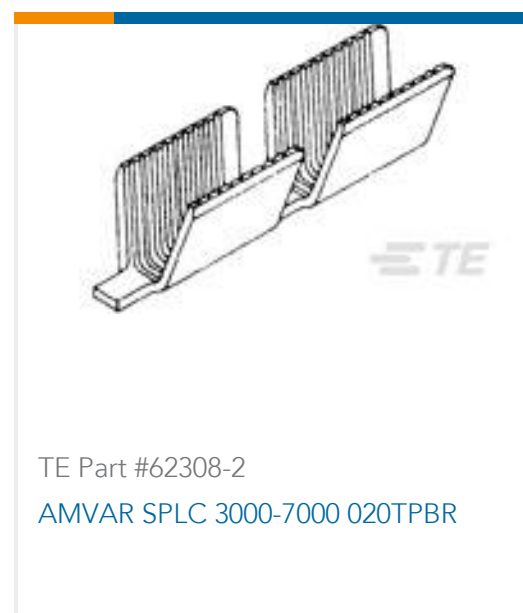
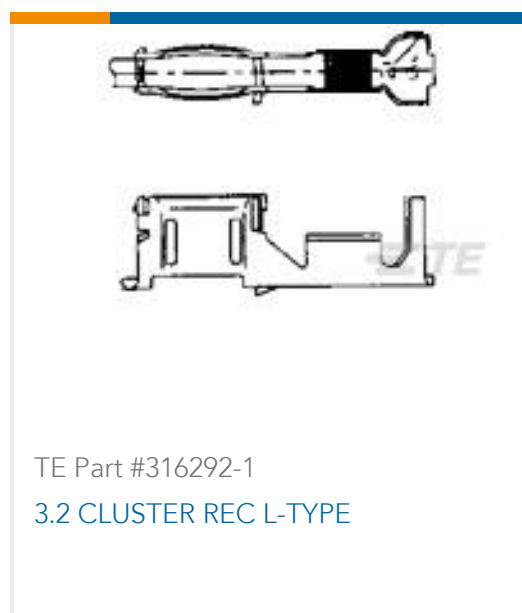
Product Compliance Disclaimer

This information is provided based on reasonable inquiry of our suppliers and represents our current actual knowledge based on the information they provided. This information is subject to change. The part numbers that TE has identified as EU RoHS compliant have a maximum concentration of 0.1% by weight in homogenous materials for lead, hexavalent chromium, mercury, PBB, PBDE, DBP, BBP, DEHP, DIBP, and 0.01% for cadmium, or qualify for an exemption to these limits as defined in the Annexes of Directive 2011/65/EU (RoHS2). Finished electrical and electronic equipment products will be CE marked as required by Directive 2011/65/EU. Components may not be CE marked. Additionally, the part numbers that TE has identified as EU ELV compliant have a maximum concentration of 0.1% by weight in homogenous materials for lead, hexavalent chromium, and mercury, and 0.01% for cadmium, or qualify for an exemption to these limits as defined in the Annexes of Directive 2000/53/EC (ELV). Regarding the REACH Regulation, the information TE provides on SVHC in articles for this part number is based on the latest European Chemicals Agency (ECHA) 'Guidance on requirements for substances in articles' posted at this URL: <https://echa.europa.eu/guidance-documents/guidance-on-reach>

Compatible Parts



Customers Also Bought



Documents

Product Drawings

CLUSTER BLOCK HSG PBT

English

CAD Files

3D PDF

3D

Customer View Model

ENG_CVM_CVM_171370-3_R_c-171370-3-r.2d_dxf.zip



English

Customer View Model

[ENG_CVM_CVM_171370-3_R_c-171370-3-r.3d_igs.zip](#)

English

Customer View Model

[ENG_CVM_CVM_171370-3_R_c-171370-3-r.3d_stp.zip](#)

English

By downloading the CAD file I accept and agree to the [Terms and Conditions](#) of use.

Datasheets & Catalog Pages

[Magnet Wire Terminals & Splices](#)

English

Product Specifications

[Application Specification](#)

English

Product Environmental Compliance

[MD_171370-3_08272018013_dmtec](#)

English

[MD_171370-3_08272018013_dmtec](#)

English

Agency Approvals

[Agency Approval Document](#)

English