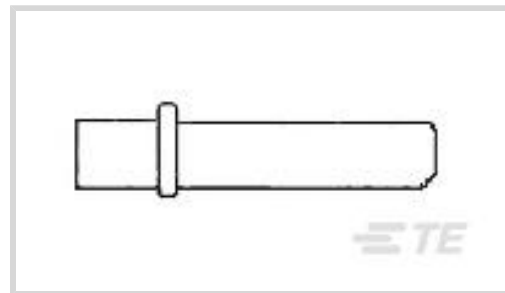




Connectors > Automotive Connectors > Automotive Housings



Connector System: **Wire-to-Wire**
 Number of Positions: 1
 Connector & Housing Type: **Housing for Male Terminals**
 Sealable: **No**
 Mating Pin Diameter: 2.36 mm [.093 in]

Features

Product Type Features

Mixed & Hybrid Connector	No
Connector Shape	Circular
Connector System	Wire-to-Wire
Connector & Housing Type	Housing for Male Terminals
Sealable	No

Configuration Features

Number of Positions	1
---------------------	---

Body Features

Cable Exit Angle	180°
Primary Product Color	Gray

Contact Features

Contact Size	2.36mm
Contact Type	Pin
Mating Pin Diameter	2.36 mm[.093 in]

Mechanical Attachment

Terminal Position Assurance	No
Strain Relief	Without
Mating Alignment Type	Polarized
Mating Alignment	With



Connector Mounting Type	Board Mount
-------------------------	-------------

Dimensions

Connector Height	7.2 mm[.283 in]
Product Width	20 mm[.787 in]
Product Length	7.2 mm[.283 in]

Operation/Application

Circuit Application	Signal
---------------------	--------

Packaging Features

Packaging Quantity	1000
Packaging Method	Bag

Other

Serviceable	No
Connector Position Assurance Capable	No

Product Compliance

[For compliance documentation, visit the product page on TE.com>](#)

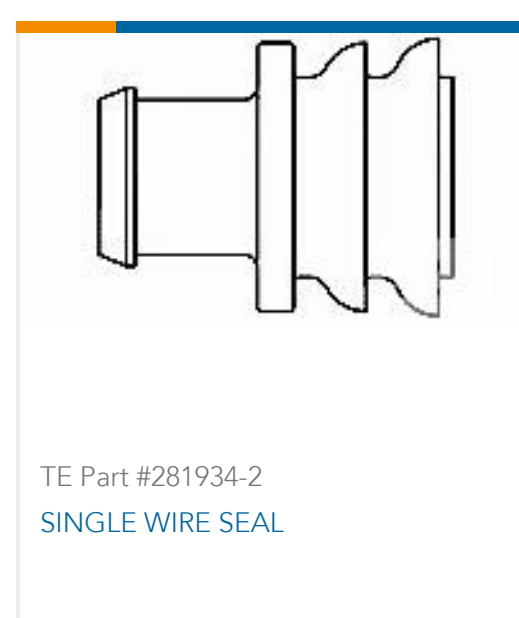
EU RoHS Directive 2011/65/EU	Compliant
EU ELV Directive 2000/53/EC	Compliant
China RoHS 2 Directive MIIT Order No 32, 2016	No Restricted Materials Above Threshold
EU REACH Regulation (EC) No. 1907/2006	Current ECHA Candidate List: JUNE 2023 (235) Candidate List Declared Against: JUNE 2023 (235) Does not contain REACH SVHC
Halogen Content	Low Halogen - Br, Cl, F, I < 900 ppm per homogenous material. Also BFR/CFR/PVC Free
Solder Process Capability	Not applicable for solder process capability

Product Compliance Disclaimer

This information is provided based on reasonable inquiry of our suppliers and represents our current actual knowledge based on the information they provided. This information is subject to change. The part numbers that TE has identified as EU RoHS compliant have a maximum concentration of 0.1% by weight in homogenous materials for lead, hexavalent chromium, mercury, PBB, PBDE, DBP, BBP, DEHP, DIBP, and 0.01% for cadmium, or qualify for an exemption to these limits as defined in the Annexes of Directive 2011/65/EU (RoHS2). Finished electrical and electronic equipment products will be CE marked as required by Directive 2011/65/EU. Components may not be CE marked. Additionally, the part numbers that TE has identified as EU ELV compliant have a maximum concentration of 0.1% by weight in homogenous materials for lead, hexavalent chromium, and mercury, and 0.01% for cadmium, or qualify for an exemption to these limits as defined in the Annexes of Directive 2000/53/EC (ELV). Regarding the REACH Regulation, the information TE provides on SVHC in articles for this part number is based on the latest European Chemicals Agency (ECHA) 'Guidance on

requirements for substances in articles' posted at this URL: <https://echa.europa.eu/guidance-documents/guidance-on-reach>

Customers Also Bought



Documents

Product Drawings

SINGL CIRCUIT 2.36 DIA REC HSG

Japanese

CAD Files

3D PDF

English

Customer View Model

[ENG_CVM_171111-1_C.3d_igs.zip](#)

English

Customer View Model

[ENG_CVM_171111-1_C.3d_stp.zip](#)

English

Customer View Model

[ENG_CVM_171111-1_C.2d_dxf.zip](#)

English

By downloading the CAD file I accept and agree to the [Terms and Conditions](#) of use.

Product Specifications

2.36DIA PIN RECEPTACLE FOR MULTI/SINGLE CIRCUIT CONNECTOR

English

[Product Specification](#)



English

[Agency Approvals](#)

[Agency Approval Document](#)

English

[Agency Approval Document](#)

English