



TE Internal #: 170485-1

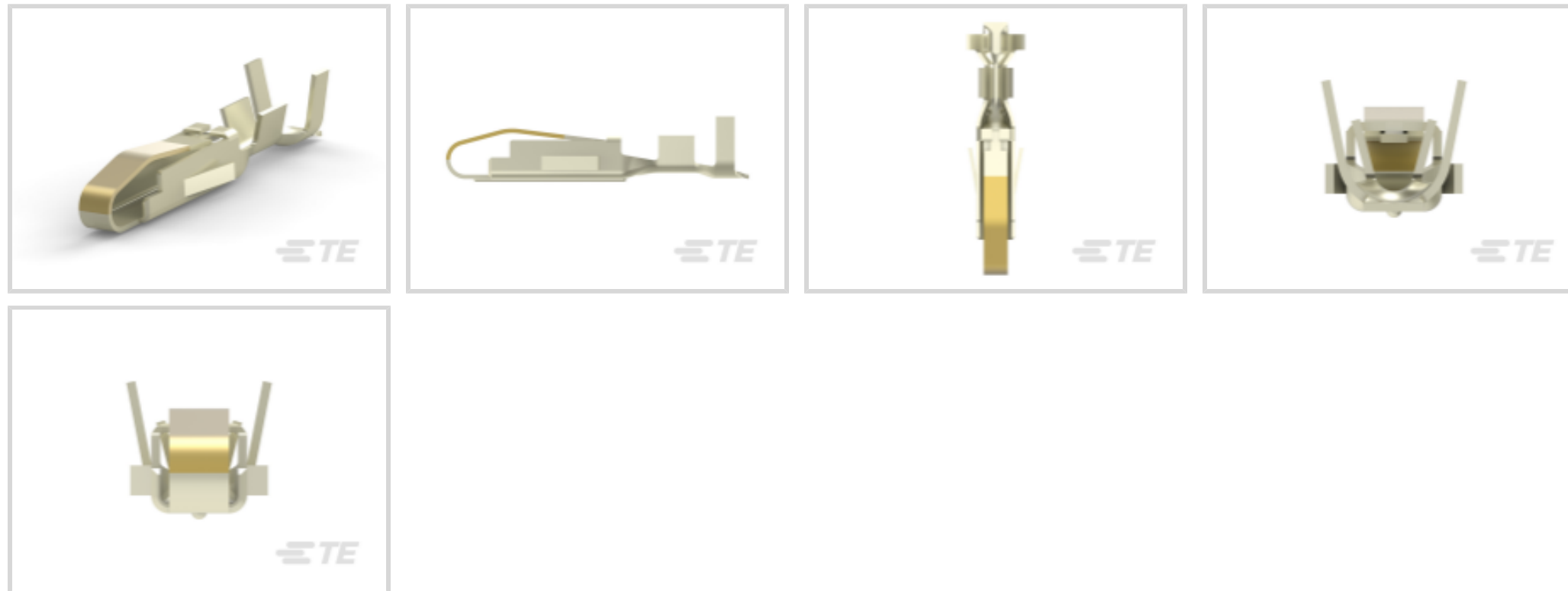
Connector Contact, Hermaphroditic, Wire-to-Board, 20 – 16 AWG

Wire Size, 992.68 – 2802.41 CMA Wire Size, .503 – 1.419 mm² Wire

Size, Gold, Reel

[View on TE.com >](#)

Connectors > PCB Connectors > Wire-to-Board Connectors > Wire-to-Board Connector Contacts



Contact Type: **Hermaphroditic**

Connector System: **Wire-to-Board**

Wire Size: **.503 – 1.419 mm²**

Features

Product Type Features

Connector System	Wire-to-Board
Connector & Contact Terminates To	Wire & Cable

Electrical Characteristics

Operating Voltage	250 VAC
-------------------	---------

Contact Features

Contact Retention Within Housing	With
Mating Tab Width	3 mm[.118 in]
Mating Tab Thickness	.65 mm[.025 in]
Contact Underplating Material Thickness	.3 μm[11.81 μin]
Contact Mating Area Plating Material Thickness	.08 μm[3.149 μin]
Contact Length	21 mm[.827 in]
Contact Underplating Material	Nickel
Contact Base Material	Phosphor Bronze
Contact Type	Hermaphroditic
Contact Mating Area Plating Material	Gold
Contact Current Rating (Max)	7 A



Termination Features

Termination Method to Wire & Cable	Crimp
------------------------------------	-------

Mechanical Attachment

Contact Retention Type Within Housing	Locking Lance
Connector Mounting Type	Cable Mount (Free-Hanging)

Dimensions

Compatible Insulation Diameter Range	1.8 – 3.3 mm [.071 – .13 in]
Wire Size	.503 – 1.419 mm ²

Usage Conditions

Operating Temperature Range	-30 – 105 °C [-22 – 221 °F]
-----------------------------	-----------------------------

Operation/Application

Circuit Application	Signal
---------------------	--------

Packaging Features

Packaging Quantity	1000
Packaging Method	Reel

Product Compliance

[For compliance documentation, visit the product page on TE.com>](#)

EU RoHS Directive 2011/65/EU	Compliant
EU ELV Directive 2000/53/EC	Compliant
China RoHS 2 Directive MIIT Order No 32, 2016	No Restricted Materials Above Threshold
EU REACH Regulation (EC) No. 1907/2006	Current ECHA Candidate List: JUNE 2023 (235) Candidate List Declared Against: JUNE 2023 (235) Does not contain REACH SVHC
Halogen Content	Low Halogen - Br, Cl, F, I < 900 ppm per homogenous material. Also BFR/CFR/PVC Free
Solder Process Capability	Not applicable for solder process capability

Product Compliance Disclaimer

This information is provided based on reasonable inquiry of our suppliers and represents our current actual knowledge based on the information they provided. This information is subject to change. The part numbers that TE has identified as EU RoHS compliant have a maximum concentration of 0.1% by weight in homogenous materials for lead, hexavalent chromium, mercury, PBB, PBDE, DBP, BBP, DEHP, DIBP, and 0.01% for cadmium, or qualify for an exemption to these limits as defined in the Annexes of Directive 2011/65/EU (RoHS2). Finished electrical and electronic equipment products

will be CE marked as required by Directive 2011/65/EU. Components may not be CE marked. Additionally, the part numbers that TE has identified as EU ELV compliant have a maximum concentration of 0.1% by weight in homogenous materials for lead, hexavalent chromium, and mercury, and 0.01% for cadmium, or qualify for an exemption to these limits as defined in the Annexes of Directive 2000/53/EC (ELV). Regarding the REACH Regulation, the information TE provides on SVHC in articles for this part number is based on the latest European Chemicals Agency (ECHA) 'Guidance on requirements for substances in articles' posted at this URL: <https://echa.europa.eu/guidance-documents/guidance-on-reach>

Compatible Parts



TE Part # CAT-AM7017-SD292P
Standard Drawer Plug Housings



TE Part # 723986-1
EXTRACTION TOOL



TE Part # 91590-1
CCII DRAWER CONNECTOR 20-16
ASSY

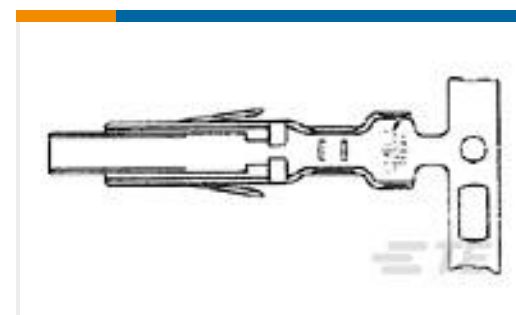
Customers Also Bought



TE Part #172061-1
12P DRAWER MALE HSG



TE Part #5172069-1
12P DRAWER FEM.ASSY



TE Part #170313-1
DRAWER CONN.CONTACT



TE Part #2065769-1
Zd Plus 2 pair receptacle assy



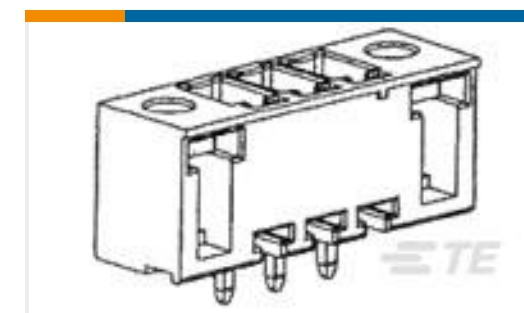
TE Part #5223961-1
TE UPM R/A Header 3P STD Power,
LLL



TE Part #2065657-1
zd Plus, 4 pair, receptacle assy



TE Part #796859-8
8 POS TERMI-BLOK PLUG RT ANGLE



TE Part #796867-8
8 POS TERMI-BLOK HDR VERTICAL

Documents

Product Drawings

[DRAWER CONN LP](#)

Japanese

CAD Files

[Customer View Model](#)

[ENG_CVM_170485-1_A.2d_dxf.zip](#)

English

[Customer View Model](#)



[ENG_CVM_170485-1_A.3d_igs.zip](#)

English

Customer View Model

[ENG_CVM_170485-1_A.3d_stp.zip](#)

English

3D PDF

English

By downloading the CAD file I accept and agree to the [Terms and Conditions](#) of use.

Datasheets & Catalog Pages

[POWER_CONNECTORS_CATALOG_SEC02_CABLE_MOUNTED](#)

English

[Low Power Drawer Connectors QRG](#)

English

Product Specifications

[Crimping of AMP EI Series Connector Contacts](#)

Japanese

[Application Specification](#)

Japanese

[Crimping Drawer Connector Contacts](#)

English

[Application Specification](#)

English