

170484-1 ✓ ACTIVE

TE Internal #: 170484-1

Connector Contact, Hermaphroditic, Wire-to-Board, 20 – 16 AWG

Wire Size, 992.68 – 2802.41 CMA Wire Size, .503 – 1.419 mm<sup>2</sup> Wire

Size, Gold, Reel

[View on TE.com >](#)



Connectors > PCB Connectors > Wire-to-Board Connectors > Wire-to-Board Connector Contacts



Contact Type: **Hermaphroditic**

Connector System: **Wire-to-Board**

Centerline (Pitch): **11 mm [ .433 in ]**

Wire Size: **992.68 – 2802.41 CMA**

## Features

### Product Type Features

Connector System	Wire-to-Board
Connector & Contact Terminates To	Wire & Cable

### Electrical Characteristics

Operating Voltage	250 VAC
-------------------	---------

### Contact Features

Contact Retention Within Housing	With
Mating Tab Width	3 mm[.118 in]
Mating Tab Thickness	.65 mm[.025 in]
Contact Underplating Material Thickness	.3 μm[11.81 μin]
Contact Mating Area Plating Material Thickness	.08 μm[3.149 μin]
Contact Length	20.1 mm[.791 in]
Contact Underplating Material	Nickel
Contact Base Material	Phosphor Bronze
Contact Type	Hermaphroditic
Contact Mating Area Plating Material	Gold



Contact Current Rating (Max)	7 A
------------------------------	-----

### Termination Features

Termination Method to Wire & Cable	Crimp
------------------------------------	-------

### Mechanical Attachment

Contact Retention Type Within Housing	Locking Lance
---------------------------------------	---------------

Connector Mounting Type	Cable Mount (Free-Hanging)
-------------------------	----------------------------

### Housing Features

Centerline (Pitch)	11 mm[.433 in]
--------------------	----------------

### Dimensions

Compatible Insulation Diameter Range	1.8 – 3.3 mm[.071 – .13 in]
--------------------------------------	-----------------------------

Wire Size	.503 – 1.419 mm <sup>2</sup>
-----------	------------------------------

### Usage Conditions

Operating Temperature Range	-30 – 105 °C[-22 – 221 °F]
-----------------------------	----------------------------

### Operation/Application

Circuit Application	Signal
---------------------	--------

### Packaging Features

Packaging Quantity	4000
--------------------	------

Packaging Method	Reel
------------------	------

### Other

Connector Contacts Comment	Housing PN: 172050, 172061, 172063, 172068, 172069, 172070
----------------------------	--

## Product Compliance

[For compliance documentation, visit the product page on TE.com>](#)

EU RoHS Directive 2011/65/EU	Compliant
------------------------------	-----------

EU ELV Directive 2000/53/EC	Compliant
-----------------------------	-----------

China RoHS 2 Directive MIIT Order No 32, 2016	No Restricted Materials Above Threshold
---	---

EU REACH Regulation (EC) No. 1907/2006	Current ECHA Candidate List: JUNE 2023 (235) Candidate List Declared Against: JUNE 2023 (235) Does not contain REACH SVHC
--	---

Halogen Content	Low Halogen - Br, Cl, F, I < 900 ppm per homogenous material. Also BFR/CFR/PVC
-----------------	--

Free

Solder Process Capability

Not applicable for solder process capability

Product Compliance Disclaimer

This information is provided based on reasonable inquiry of our suppliers and represents our current actual knowledge based on the information they provided. This information is subject to change. The part numbers that TE has identified as EU RoHS compliant have a maximum concentration of 0.1% by weight in homogenous materials for lead, hexavalent chromium, mercury, PBB, PBDE, DBP, BBP, DEHP, DIBP, and 0.01% for cadmium, or qualify for an exemption to these limits as defined in the Annexes of Directive 2011/65/EU (RoHS2). Finished electrical and electronic equipment products will be CE marked as required by Directive 2011/65/EU. Components may not be CE marked. Additionally, the part numbers that TE has identified as EU ELV compliant have a maximum concentration of 0.1% by weight in homogenous materials for lead, hexavalent chromium, and mercury, and 0.01% for cadmium, or qualify for an exemption to these limits as defined in the Annexes of Directive 2000/53/EC (ELV). Regarding the REACH Regulation, the information TE provides on SVHC in articles for this part number is based on the latest European Chemicals Agency (ECHA) 'Guidance on requirements for substances in articles' posted at this URL: <https://echa.europa.eu/guidance-documents/guidance-on-reach>

### Compatible Parts



TE Part # CAT-AM7017-SD292P  
Standard Drawer Plug Housings



TE Part # 2-2837850-1  
OCEAN-2.0-APPLICATOR-S-080F150F



TE Part # 2-2837850-2  
OCEAN-2.0-APPLICATOR-S-080F150F



TE Part # 2837850-1  
OCEAN-2.0-APPLICATOR-S-080F150F




TE Part # 2837850-2  
OCEAN-2.0-APPLICATOR-S-080F150F



TE Part # 7-2837850-1  
OCEAN-2.0-APPLICATOR-S-080F150F



TE Part # 7-2837850-2  
OCEAN-2.0-APPLICATOR-S-080F150F

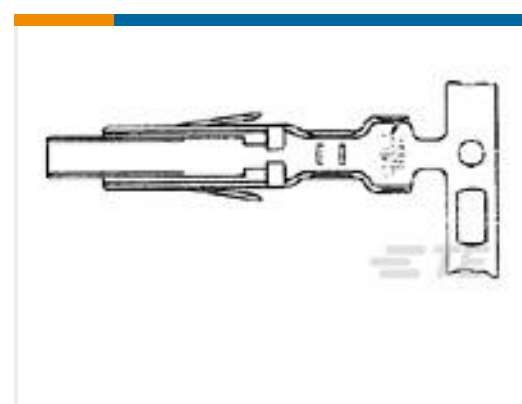


TE Part # 7-2837850-7  
OCEAN\_2.0\_SPARE\_PART\_KIT-080F150F

### Customers Also Bought



TE Part #5172068-3  
Standard Drawer Receptacle Housings



TE Part #170312-1  
POWER CONN.CONTACT



TE Part #350509-1  
RING 22-16 AWG BR



TE Part #170311-1  
CONTACT FOR DRAWER CONN



TE Part #174263-7  
ECONOSEAL-J MK-2 LCOK PLATE 6P



TE Part #61624-1  
RING CRIMP 16-12 AWG BR



TE Part #2351886-2  
2POS TB HDR 180 DEG, PITCH 3.5, TL  
3.4mm



TE Part #174258-7  
ECONO-J MK-2 LOCK PLATE 4P

## Documents

### Product Drawings

#### CONTACT FOR DRAWER CONNECTOR

English

### CAD Files

#### 3D PDF

3D

#### Customer View Model

[ENG\\_CVM\\_CVM\\_170484-1\\_D1.2d\\_dxf.zip](#)

English

#### Customer View Model

[ENG\\_CVM\\_CVM\\_170484-1\\_D1.3d\\_igs.zip](#)

English

#### Customer View Model

[ENG\\_CVM\\_CVM\\_170484-1\\_D1.3d\\_stp.zip](#)

English

By downloading the CAD file I accept and agree to the [Terms and Conditions](#) of use.

### Datasheets & Catalog Pages

#### POWER\_CONNECTORS\_CATALOG\_SEC02\_CABLE\_MOUNTED

English

#### Low Power Drawer Connectors QRG

English

### Product Specifications

#### Crimping of AMP EI Series Connector Contacts

Japanese

#### Application Specification

Japanese

#### Crimping Drawer Connector Contacts

English

#### Application Specification

English

### Product Environmental Compliance

[MD\\_170484-1\\_050220181257\\_dmtc](#)

170484-1

Connector Contact, Hermaphroditic, Wire-to-Board, 20 – 16 AWG Wire Size, 992.68 – 2802.41 CMA Wire Size, .503 – 1.419 mm<sup>2</sup> Wire Size, Gold, Reel



English

[MD\\_170484-1\\_050220181257\\_dmtec](#)

English