



Positive Lock | Mark II, Positive Lock 187

TE Internal #: 170326-5

Quick Disconnects, Receptacle, 18 – 14 AWG Wire Size, .82 – 2.08 mm² Wire Size, Mating Tab Width 4.75 mm [.187 in], Straight, Positive Lock 187

[View on TE.com >](#)

Terminals & Splices > Quick Disconnects



Quick Disconnect Terminal Type: **Receptacle**

Wire Size: **.82 – 2.08 mm²**

Mating Tab Width: **4.75 mm [.187 in]**

Mating Tab Thickness: **.51 mm [.02 in]**

Features

Product Type Features

Insertion Force	Low
-----------------	-----

Configuration Features

Connection Capacity	Single
Compatible With Wire & Cable Type	Discrete Wire

Contact Features

Quick Disconnect Terminal Type	Receptacle
Mating Tab Width	4.75 mm [.187 in]
Mating Tab Thickness	.51 mm [.02 in]
Terminal Orientation	Straight
Contact Base Material	Phosphor Bronze
Terminal Plating Material	Pre-Tin
Crimp Type	F-Crimp
Barrel Type	Open

Termination Features

--	--



Product Terminates To	Wire & Cable
-----------------------	--------------

Mechanical Attachment

Wire Insulation Support	With
-------------------------	------

Mating Retention Type	Dimple
-----------------------	--------

Dimensions

Terminal Material Thickness	.3 mm[.012 in]
-----------------------------	----------------

Product Length	21.6 mm[.85 in]
----------------	-----------------

Compatible Insulation Diameter Range	2.1 – 3.6 mm[.082 – .141 in]
--------------------------------------	------------------------------

Wire Size	.82 – 2.08 mm ²
-----------	----------------------------

Usage Conditions

Insulation Option	Uninsulated
-------------------	-------------

Operating Temperature Range	-40 – 110 °C[-40 – 230 °F]
-----------------------------	----------------------------

Industry Standards

Agency/Standard	UL
-----------------	----

Packaging Features

Packaging Quantity	5000
--------------------	------

Packaging Method	Strip/Reel
------------------	------------

Other

Terminals & Splices Comment	Air-feed Applicator should be used., External Diameter of a wire 1.6-3.1mm.
-----------------------------	--

Product Compliance

[For compliance documentation, visit the product page on TE.com>](#)

EU RoHS Directive 2011/65/EU	Compliant
------------------------------	-----------

EU ELV Directive 2000/53/EC	Compliant
-----------------------------	-----------

China RoHS 2 Directive MIIT Order No 32, 2016	No Restricted Materials Above Threshold
---	---

EU REACH Regulation (EC) No. 1907/2006	Current ECHA Candidate List: JUNE 2023 (235) Candidate List Declared Against: JUNE 2023 (235) Does not contain REACH SVHC
--	---

Halogen Content	Low Halogen - Br, Cl, F, I < 900 ppm per homogenous material. Also BFR/CFR/PVC Free
-----------------	---

Solder Process Capability	Not applicable for solder process capability
---------------------------	--

Product Compliance Disclaimer

This information is provided based on reasonable inquiry of our suppliers and represents our current actual knowledge based on the information they provided. This information is subject to change. The part numbers that TE has identified as EU RoHS compliant have a maximum concentration of 0.1% by weight in homogenous materials for lead, hexavalent chromium, mercury, PBB, PBDE, DBP, BBP, DEHP, DIBP, and 0.01% for cadmium, or qualify for an exemption to these limits as defined in the Annexes of Directive 2011/65/EU (RoHS2). Finished electrical and electronic equipment products will be CE marked as required by Directive 2011/65/EU. Components may not be CE marked. Additionally, the part numbers that TE has identified as EU ELV compliant have a maximum concentration of 0.1% by weight in homogenous materials for lead, hexavalent chromium, and mercury, and 0.01% for cadmium, or qualify for an exemption to these limits as defined in the Annexes of Directive 2000/53/EC (ELV). Regarding the REACH Regulation, the information TE provides on SVHC in articles for this part number is based on the latest European Chemicals Agency (ECHA) 'Guidance on requirements for substances in articles' posted at this URL: <https://echa.europa.eu/guidance-documents/guidance-on-reach>

Compatible Parts






TE Part # 179183-6
POSITIVE LOCK 187 (4.8 MM)
HOUSING



TE Part # 175578-1
PL 187 HOUSING RECEPTACLE



TE Part # 176498-6
PL MKII 187 REC HSG 2P NYLON BLUE



TE Part # 172074-2
POSITIVE LOCK 187 HOUSING RECEPTACLE



TE Part # 1-172210-1
187 HSG. PL MKII REC. 6mm 2P NAT



TE Part # 172210-1
POSITIVE LOCK 250 HOUSING RECEPTACLE




TE Part # 173974-2
PL 187 (4.8 MM) HOUSING RECEPTACLE

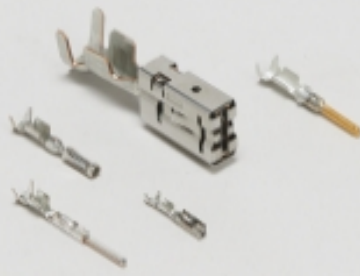


TE Part # 173974-7
PL 187 (4.8 MM) HOUSING RECEPTACLE

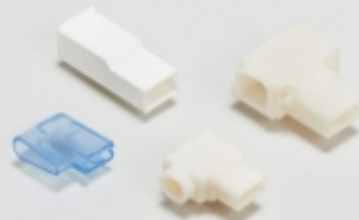
Also in the Series | **Mark II**




Automotive Housings(7)




Automotive Terminals(22)



Crimp Terminal Housings(76)



Insertion & Extraction Tools(2)



Quick Disconnects(57)

Also in the Series | **Positive Lock 187**



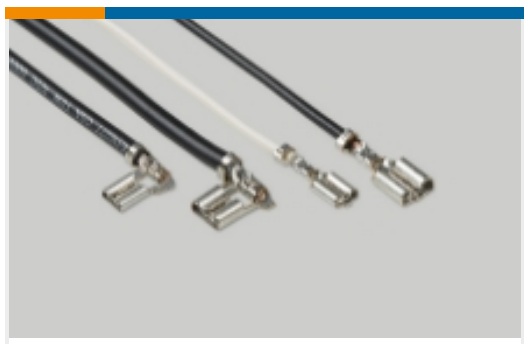
Crimp Terminal Housings(86)



Insertion & Extraction Tools(2)



Insulation Boots & Sleeves(7)

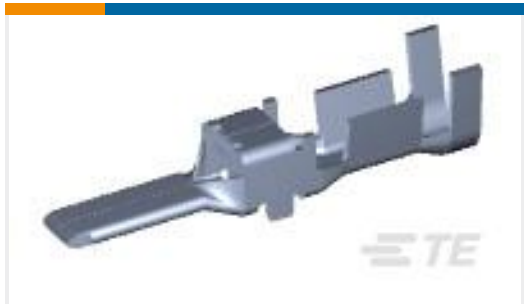


Quick Disconnects(55)

Customers Also Bought



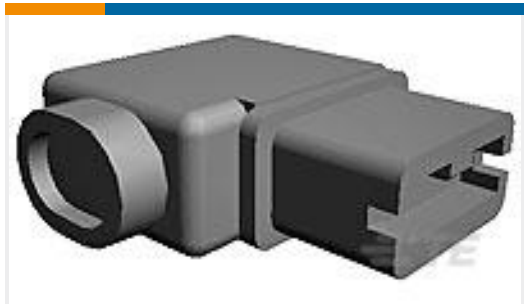
TE Part #1565084-1
GRACE INERTIA CONNECTOR 3.5 6P



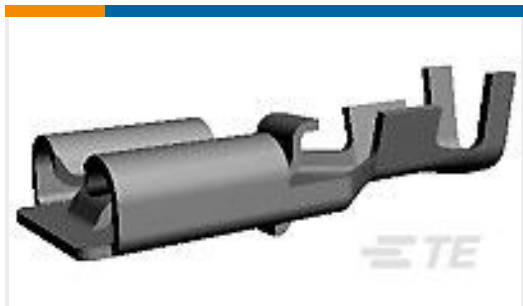
TE Part #1746973-1
GRACE INERTIA CONNECTOR 6.2
MM PITCH TAB



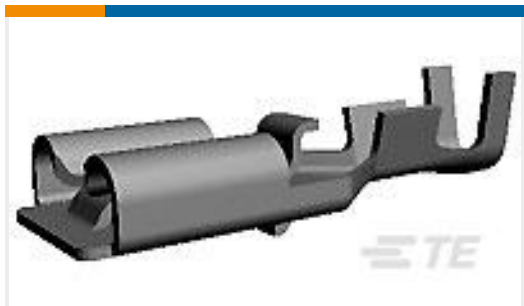
TE Part #175057-2
250 PL EX FLAG REC. 18-12AWG PTBR



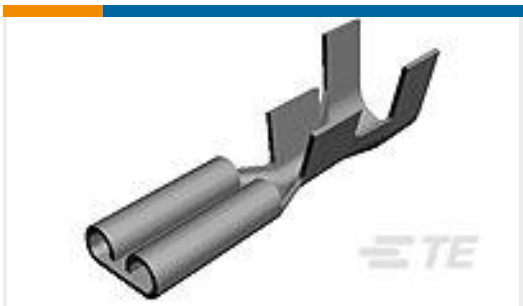
TE Part #1-176497-1
250 HSG. PL EX FLAG REC. NAT



TE Part #179975-1
250 PL EX REC. 15-10AWG PTBR



TE Part #179973-1
250 PL EX REC. 22-18AWG PTBR



TE Part #170213-1
250 FASTON,REC.,18-14 AWG,BR



TE Part #1746977-1
GRACE INERTIA CONNECTOR 6.2
MM PITCH 2P C



TE Part #1376477-6
2.5MM PITCH SIGNAL MATE CONN

Documents

CAD Files

[3D PDF](#)

[3D](#)

Customer View Model

[ENG_CVM_CVM_170326-5_M.2d_dxf.zip](#)

English

Customer View Model

[ENG_CVM_CVM_170326-5_M.3d_igs.zip](#)



English

Customer View Model

[ENG_CVM_CVM_170326-5_M.3d_stp.zip](#)

English

By downloading the CAD file I accept and agree to the [Terms and Conditions](#) of use.

Product Specifications

[Application Specification](#)

English

Product Environmental Compliance

[Product Compliance Document](#)

English

[Product Compliance Document](#)

English

Instruction Sheets

[Instruction Sheet \(non U.S.\)](#)

English

[AMP* POSITIVE LOCK CONNECTOR](#)

English

Agency Approvals

[UL Report](#)

English