



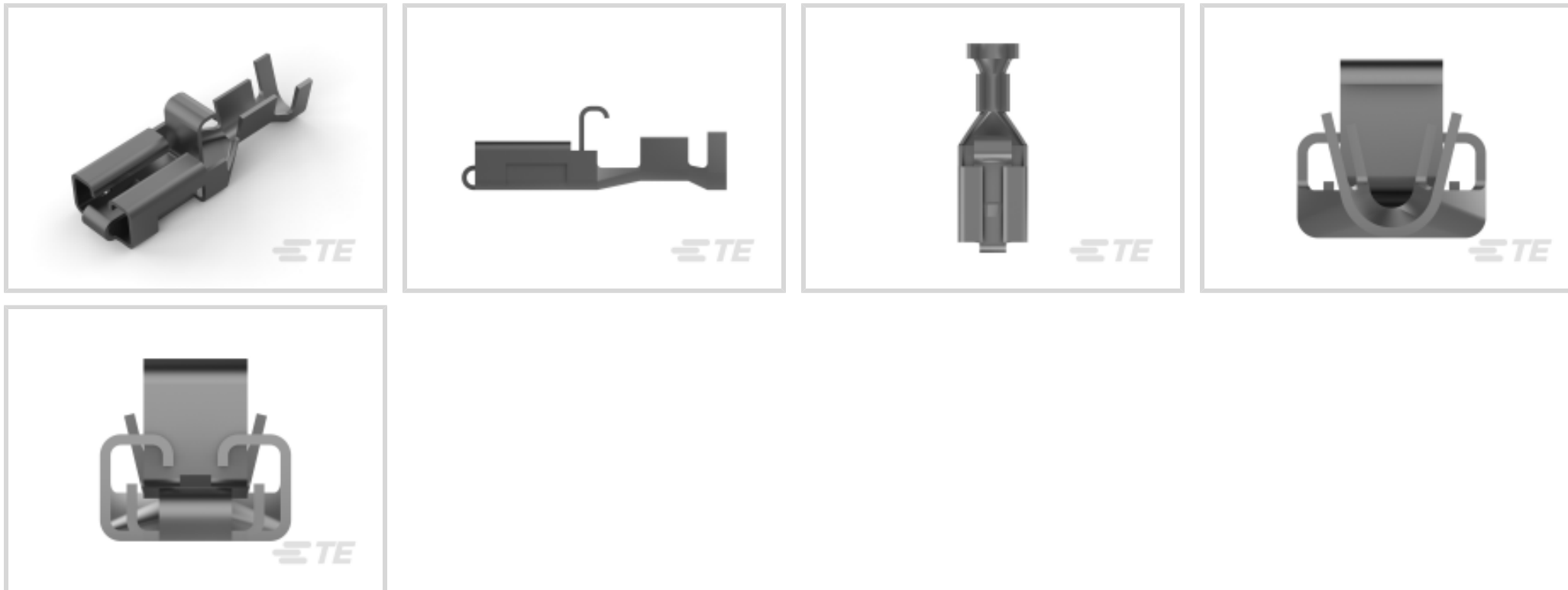
[Positive Lock](#) | [Positive Lock 250](#)

TE Internal #: 170265-2

Quick Disconnects, Receptacle, 20 – 14 AWG Wire Size, .51 – 2.08 mm<sup>2</sup> Wire Size, Mating Tab Width 6.35 mm [.25 in], Straight, Brass, Positive Lock 250

[View on TE.com >](#)

Terminals & Splices > Quick Disconnects



Quick Disconnect Terminal Type: **Receptacle**

Wire Size: .51 – 2.08 mm<sup>2</sup>

Mating Tab Width: 6.35 mm [.25 in]

Mating Tab Thickness: .81 mm [.032 in]

### Features

#### Product Type Features

Insertion Force	Low
-----------------	-----

#### Configuration Features

Connection Capacity	Single
Compatible With Wire & Cable Type	Discrete Wire

#### Contact Features

Quick Disconnect Terminal Type	Receptacle
Mating Tab Width	6.35 mm [.25 in]
Mating Tab Thickness	.81 mm [.032 in]
Terminal Orientation	Straight
Contact Base Material	Brass
Terminal Plating Material	Tin
Crimp Type	F-Crimp
Barrel Type	Open

#### Termination Features

--	--



Product Terminates To	Wire & Cable
-----------------------	--------------

### Mechanical Attachment

Extraction Force	7 – 100 Newton
------------------	----------------

Wire Insulation Support	With
-------------------------	------

Mating Retention Type	Dimple
-----------------------	--------

### Dimensions

Terminal Material Thickness	.41 mm[.016 in]
-----------------------------	-----------------

Product Length	23 mm[.905 in]
----------------	----------------

Compatible Insulation Diameter Range	2.2 – 3.4 mm[.086 – .134 in]
--------------------------------------	------------------------------

Wire Size	.51 – 2.08 mm <sup>2</sup>
-----------	----------------------------

### Usage Conditions

Insulation Option	Uninsulated
-------------------	-------------

Operating Temperature Range	-40 – 110 °C[-40 – 230 °F]
-----------------------------	----------------------------

### Industry Standards

Agency/Standard	UL
-----------------	----

### Packaging Features

Packaging Quantity	1000
--------------------	------

Packaging Method	Loose Piece/Carton
------------------	--------------------

### Product Compliance

[For compliance documentation, visit the product page on TE.com>](#)

EU RoHS Directive 2011/65/EU	Compliant
------------------------------	-----------

EU ELV Directive 2000/53/EC	Compliant
-----------------------------	-----------

China RoHS 2 Directive MIIT Order No 32, 2016	No Restricted Materials Above Threshold
---	---

EU REACH Regulation (EC) No. 1907/2006	Current ECHA Candidate List: JUNE 2023 (235) Candidate List Declared Against: JUNE 2023 (235) Does not contain REACH SVHC
--	---

Halogen Content	Low Halogen - Br, Cl, F, I < 900 ppm per homogenous material. Also BFR/CFR/PVC Free
-----------------	---

Solder Process Capability	Not applicable for solder process capability
---------------------------	--

Product Compliance Disclaimer

This information is provided based on reasonable inquiry of our suppliers and represents our current actual knowledge based on the information they provided. This information is subject to change. The part numbers that TE has identified as EU RoHS compliant have a maximum concentration of 0.1% by weight in homogenous materials for lead, hexavalent chromium, mercury, PBB, PBDE, DBP, BBP, DEHP, DIBP, and 0.01% for cadmium, or qualify for an exemption to these limits as defined in the Annexes of Directive 2011/65/EU (RoHS2). Finished electrical and electronic equipment products will be CE marked as required by Directive 2011/65/EU. Components may not be CE marked. Additionally, the part numbers that TE has identified as EU ELV compliant have a maximum concentration of 0.1% by weight in homogenous materials for lead, hexavalent chromium, and mercury, and 0.01% for cadmium, or qualify for an exemption to these limits as defined in the Annexes of Directive 2000/53/EC (ELV). Regarding the REACH Regulation, the information TE provides on SVHC in articles for this part number is based on the latest European Chemicals Agency (ECHA) 'Guidance on requirements for substances in articles' posted at this URL: <https://echa.europa.eu/guidance-documents/guidance-on-reach>

## Compatible Parts



TE Part # 928901-3  
PL 250 REC TERMINAL 17-13 AWG  
TPBR LP



TE Part # 171809-2  
POSITIVE LOCK (PL) HOUSING



TE Part # 928901-4  
PL 250 REC TERMINAL 17-13 TPPB LP



TE Part # 171809-1  
POSITIVE LOCK (PL) HOUSING



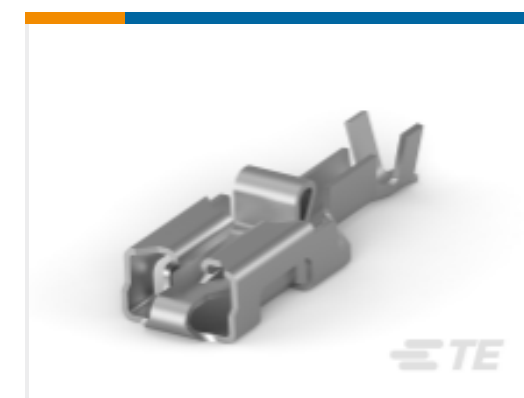
TE Part # 755342-1  
DAHT POS LOCK REC CONT 20-14  
ASSY



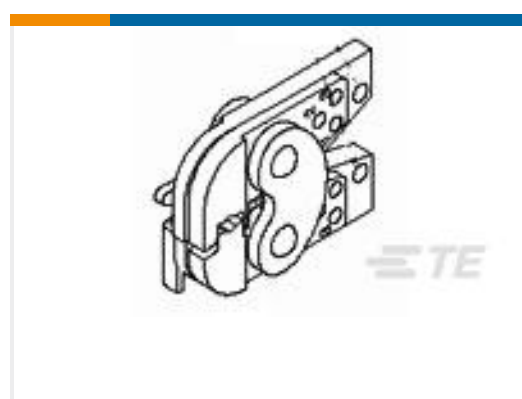
TE Part # 1337265-1  
POS LOCK RECEPTACLE GOLD



TE Part # 784640-1  
EXT TOOL FOR POS LOCK MKI

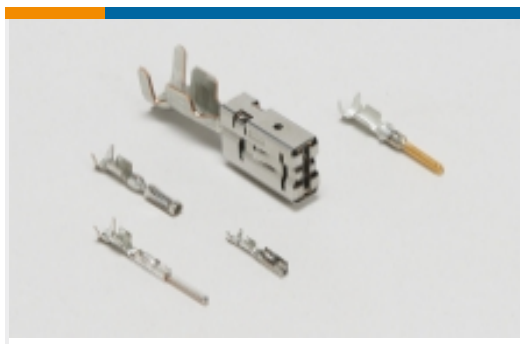


TE Part # 927853-8  
PL 250 REC 20-17 AWG AgBR

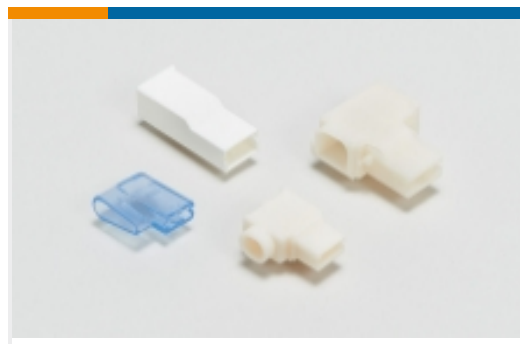


TE Part # 752940-1  
CRIMPING JAW HEAD ASSY

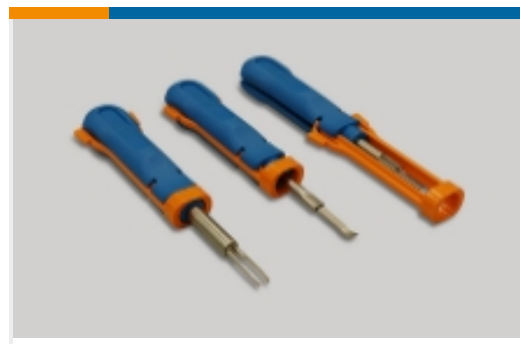
Also in the Series | **Positive Lock 250**



Automotive Terminals(1)



Crimp Terminal Housings(193)



Insertion & Extraction Tools(3)



Insulation Boots & Sleeves(4)



Quick Disconnects(186)

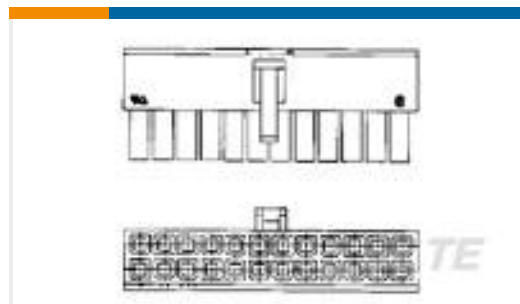
## Customers Also Bought



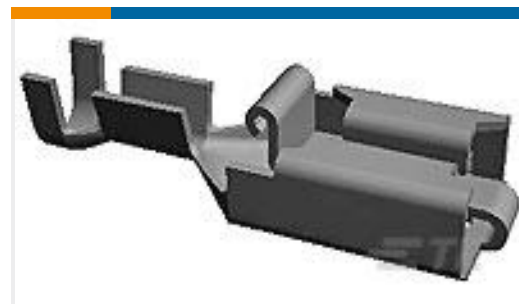
TE Part #1-6609113-3  
10CFE1 S0=F7834



TE Part #178323-3  
DYNAMIC D3100D HDR V 6P ASSY  
AU076



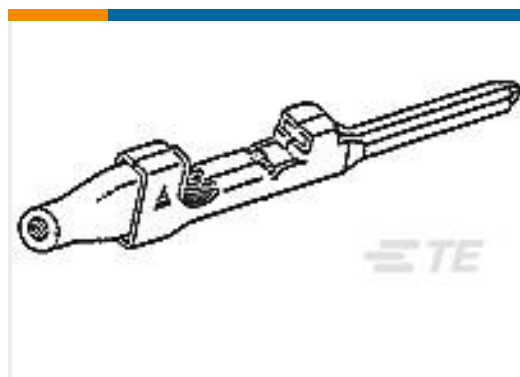
TE Part #1586019-2  
2P RCPT VAL-U-LOK V0



TE Part #170233-1  
PL 250 REC 0.5-2.27 MM2 BR



TE Part #174057-2  
MULTILOCK, CONNECTOR HOUSING



TE Part #173682-1  
040 MLC TAB CONTACT



TE Part #NB-PTCO-142  
Pt100, 1.2x4.0, Class A, PTFM101A1G0



TE Part #2312641-1  
RETAINER, FEMALE, 1 POS, FAKRA  
AUTOMATED



TE Part #2312640-1  
RETAINER, MALE, 1 POS, FAKRA  
AUTOMATED

## Documents



### Product Drawings

[PL 250 REC 12-10 AWG 0.406 X 42.3](#)

English

---

### CAD Files

[3D PDF](#)

3D

Customer View Model

[ENG\\_CVM\\_CVM\\_170265-2\\_A.2d\\_dxf.zip](#)

English

Customer View Model

[ENG\\_CVM\\_CVM\\_170265-2\\_A.3d\\_igs.zip](#)

English

Customer View Model

[ENG\\_CVM\\_CVM\\_170265-2\\_A.3d\\_stp.zip](#)

English

By downloading the CAD file I accept and agree to the [Terms and Conditions](#) of use.

---

### Product Specifications

[Product Specification](#)

English

[1-Position, Positive Lock Connector](#)

English

---

### Product Environmental Compliance

[MD\\_170265-2\\_12182017141\\_dmtec](#)

English

[MD\\_170265-2\\_12182017141\\_dmtec](#)

English