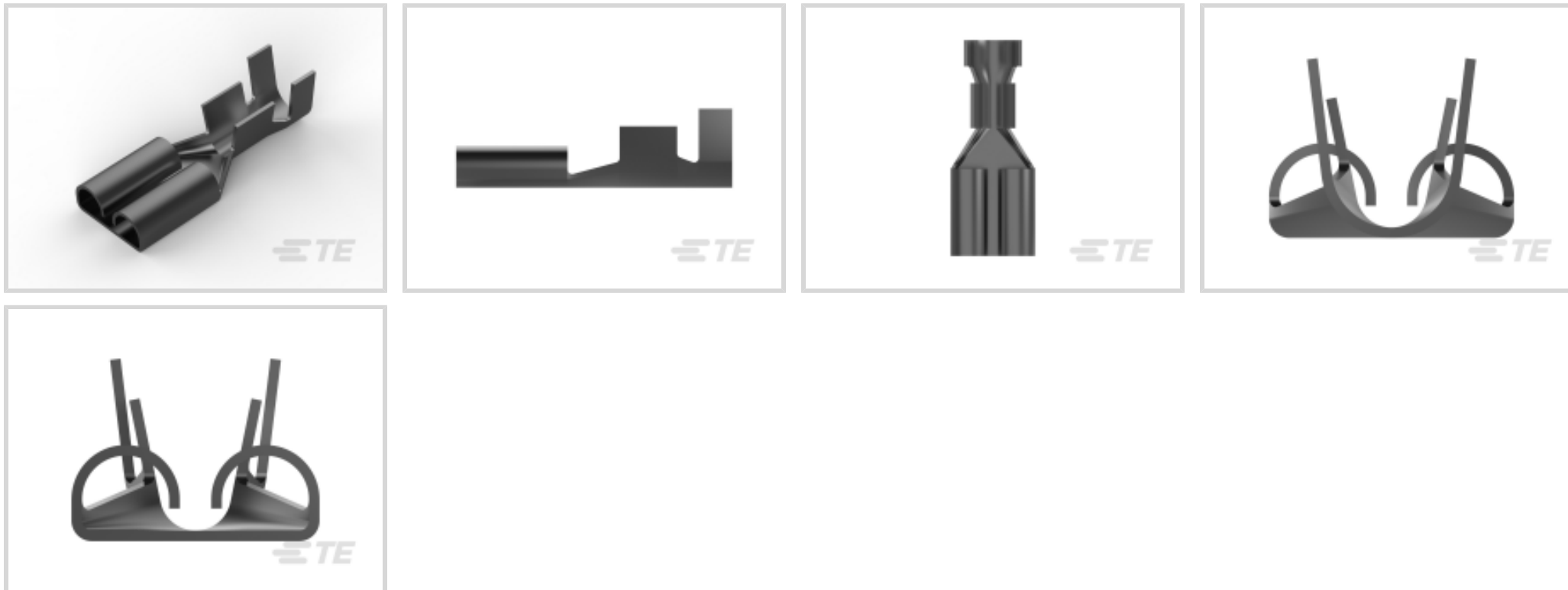




Terminals & Splices > Quick Disconnects



Quick Disconnect Terminal Type: **Receptacle**

Wire Size: **2.1 – 3.31 mm<sup>2</sup>**

Mating Tab Width: **6.35 mm [.25 in]**

Terminal Orientation: **Straight**

### Features

#### Configuration Features

Connection Capacity	Single
Compatible With Wire & Cable Type	Discrete Wire

#### Contact Features

Quick Disconnect Terminal Type	Receptacle
Mating Tab Width	6.35 mm [.25 in]
Terminal Orientation	Straight
Contact Base Material	Brass
Terminal Plating Material	Tin
Crimp Type	F-Crimp
Barrel Type	Open

#### Termination Features

Product Terminates To	Wire & Cable
-----------------------	--------------

#### Mechanical Attachment

Wire Insulation Support	With
-------------------------	------



Mating Retention Type

Locking Lance

### Dimensions

Terminal Material Thickness

.33 mm[.013 in]

Product Length

21.5 mm[.846 in]

Compatible Insulation Diameter Range

2.9 – 3.8 mm[.114 – .15 in]

Wire Size

2.1 – 3.31 mm<sup>2</sup>

### Usage Conditions

Insulation Option

Uninsulated

Operating Temperature Range

-40 – 110 °C[-40 – 230 °F]

### Packaging Features

Packaging Quantity

5000

Packaging Method

Strip/Reel

### Product Compliance

For compliance documentation, visit the product page on [TE.com](https://www.te.com)>

EU RoHS Directive 2011/65/EU

Compliant

EU ELV Directive 2000/53/EC

Compliant

China RoHS 2 Directive MIIT Order No 32, 2016

No Restricted Materials Above Threshold

EU REACH Regulation (EC) No. 1907/2006

Current ECHA Candidate List: JUNE 2023 (235)  
 Candidate List Declared Against: JUNE 2023 (235)  
 Does not contain REACH SVHC

Halogen Content

Low Halogen - Br, Cl, F, I < 900 ppm per homogenous material. Also BFR/CFR/PVC Free

Solder Process Capability

Not applicable for solder process capability

#### Product Compliance Disclaimer

This information is provided based on reasonable inquiry of our suppliers and represents our current actual knowledge based on the information they provided. This information is subject to change. The part numbers that TE has identified as EU RoHS compliant have a maximum concentration of 0.1% by weight in homogenous materials for lead, hexavalent chromium, mercury, PBB, PBDE, DBP, BBP, DEHP, DIBP, and 0.01% for cadmium, or qualify for an exemption to these limits as defined in the Annexes of Directive 2011/65/EU (RoHS2). Finished electrical and electronic equipment products will be CE marked as required by Directive 2011/65/EU. Components may not be CE marked. Additionally, the part numbers that TE has identified as EU ELV compliant have a maximum concentration of 0.1% by weight in homogenous materials for lead, hexavalent chromium, and mercury, and 0.01% for cadmium, or qualify for an exemption to these limits as defined in the Annexes of Directive 2000/53/EC (ELV). Regarding the REACH Regulation, the information TE provides on SVHC in articles for this part number is based on the latest European Chemicals Agency (ECHA) 'Guidance on requirements for substances in articles' posted at this URL: <https://echa.europa.eu/guidance-documents/guidance-on-reach>

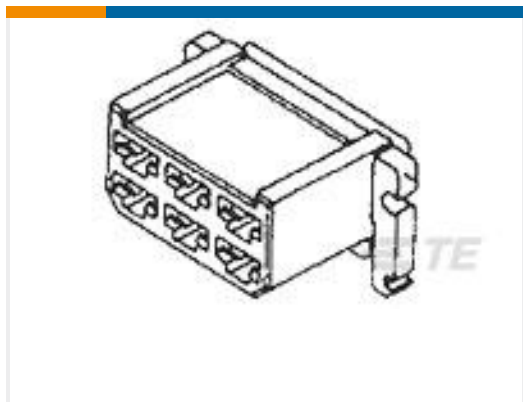
## Compatible Parts



TE Part # 151325-1  
FF 250 REC HSG 11P NYLON NAT



TE Part # 480003-5  
FF 250 REC HSG 6P NYLON NAT



TE Part # 163006  
6 WAY FASTIN-ON HOUSING REC NATURAL



TE Part # 180904  
FF 250 REC HSG 6P NYLON NAT



TE Part # 171897-1  
FF 250 REC HSG 6P NYLON NAT



TE Part # 172137-1  
FF 250 REC HSG 10P NYLON NAT



TE Part # 480115-3  
FF 250 REC HSG 2P NYLON BLACK



TE Part # 172138-1  
FF 250 PLUG HSG 10P NYLON NAT



TE Part # 163007  
FF 250 REC HSG 8P NYLON CLEAR



TE Part # 178022-1  
FF 250 PLUG HSG DBL LOCK NAT



TE Part # 172136-1  
FF 250 PLUG HSG 8P NYLON NAT



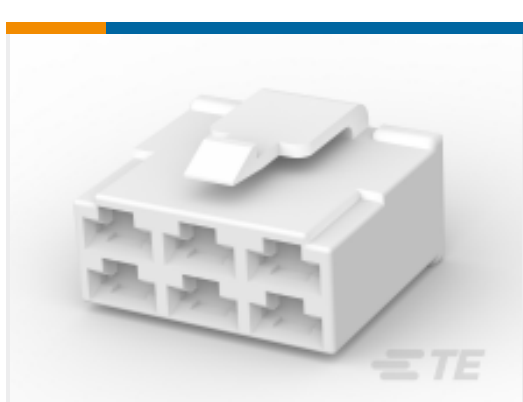
TE Part # 1-480281-0  
FF 250 REC HSG 6P NYLON BLACK



TE Part # 180900  
FF 250 REC HSG 4P NYLON NAT



TE Part # 172133-1  
FF 250 REC HSG 4P NYLON NAT



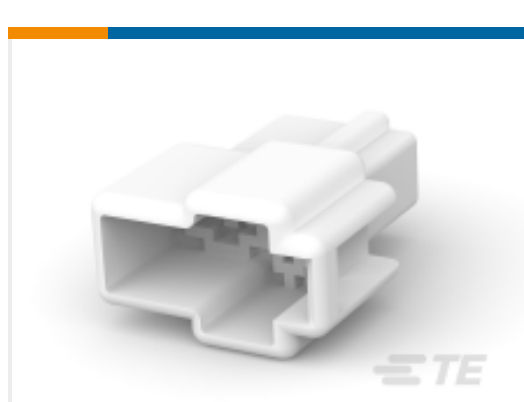
TE Part # 171898-1  
FF 250 PLUG HSG 6P NYLON NAT



TE Part # 880297-1  
6 WAY FF 250 HOUSING REC PA 6.6 NATURAL



TE Part # 172135-1  
FF 250 REC HSG 8P NYLON NAT



TE Part # 172129-1  
FF 250 PLUG HSG 2P NYLON NAT



TE Part # 172134-1  
FF 250 PLUG HSG 4P NYLON NAT

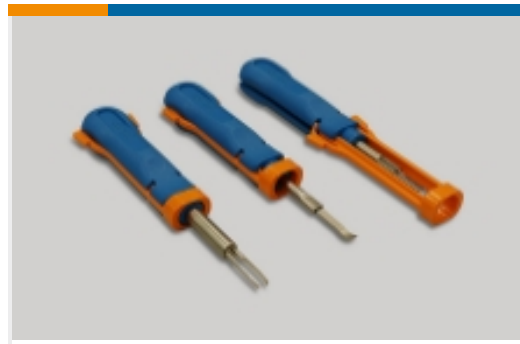


TE Part # 172130-1  
FF 250 REC HSG 2P NYLON NAT

Also in the Series | **FASTIN-FASTON 250**



Crimp Terminal Housings(211)



Insertion &amp; Extraction Tools(2)

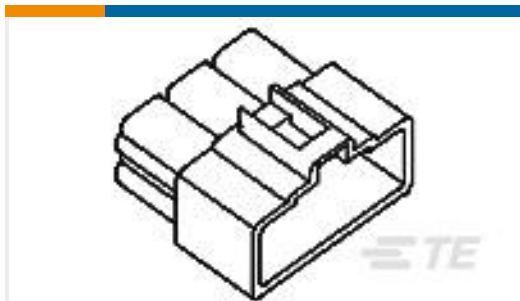
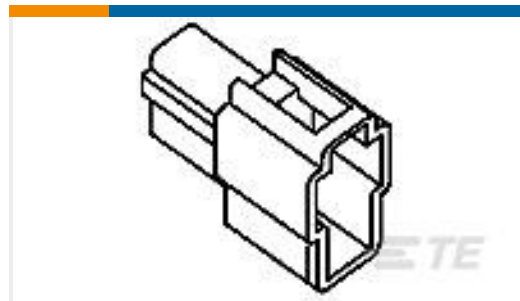
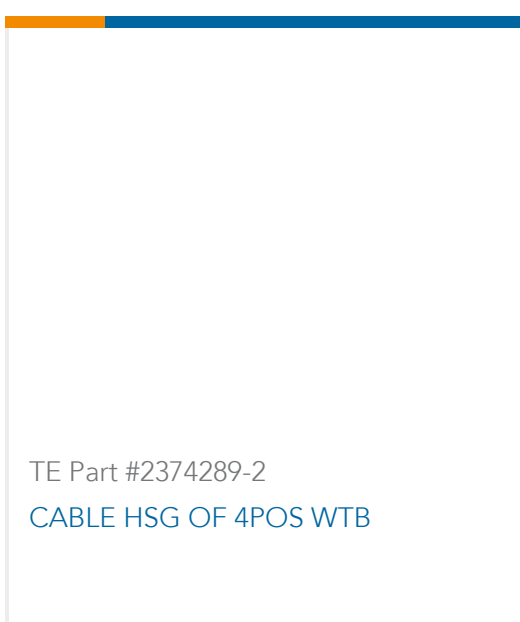
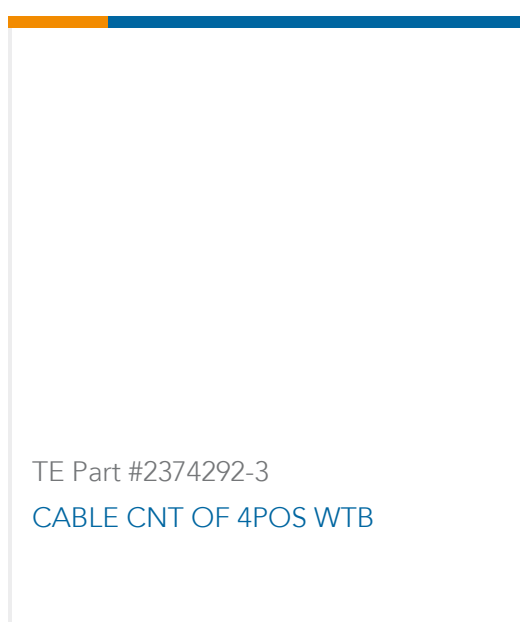


PCB Terminals(2)



Quick Disconnects(254)

## Customers Also Bought

TE Part #172133-1  
FF 250 REC HSG 4P NYLON NATTE Part #170349-2  
FF 250 TAB 22-20AWG TPBR  
WITHOUT LATCHTE Part #172129-2  
FF 250 PLUG HSG 2P NYLON BLACKTE Part #179462-3  
FF 250 TAB 20-14AWG W/O LATCH LPTE Part #2066010-1  
2P SUPERSEAL 1.5 SRS PLUG ASSY  
BLACKTE Part #2066561-1  
MOUNTING BRACKET, ENGINE  
COMPT FRBTE Part #2069957-1  
0.50/1.0 SEALED WIRE COVER 140P  
TYPE-IITE Part #1952074-4  
.250 SRS, RECP HSG, 2P WITH SECTE Part #2374289-2  
CABLE HSG OF 4POS WTBTE Part #2374292-3  
CABLE CNT OF 4POS WTB

## Documents

### Product Drawings

[FF 250 REC 14-12AWG TPBR REREELING](#)

English

### CAD Files

Customer View Model

[ENG\\_CVM\\_CVM\\_170258-2\\_R.2d\\_dxf.zip](#)

English

[3D PDF](#)



3D

**Customer View Model**

[ENG\\_CVM\\_CVM\\_170258-2\\_R.3d\\_igs.zip](#)

English

**Customer View Model**

[ENG\\_CVM\\_CVM\\_170258-2\\_R.3d\\_stp.zip](#)

English

By downloading the CAD file I accept and agree to the [Terms and Conditions](#) of use.

---

**Product Specifications**

**Crimping of 250 Series Tab and Receptacle Contacts**

Japanese

**Application Specification**

Japanese

**Application Specification**

Japanese

**Crimping of 250 Series Tab and Receptacle Contacts**

Japanese

---

**Product Environmental Compliance**

**Product Compliance Document**

English

**Product Compliance Document**

English

---

**Instruction Sheets**

**Customer Manual (non U.S.)**

Japanese

**"250" Series, Housing Lance Connector**

Japanese