

170089-1 ✓ ACTIVE

FASTIN-FASTON | FASTIN-FASTON 250

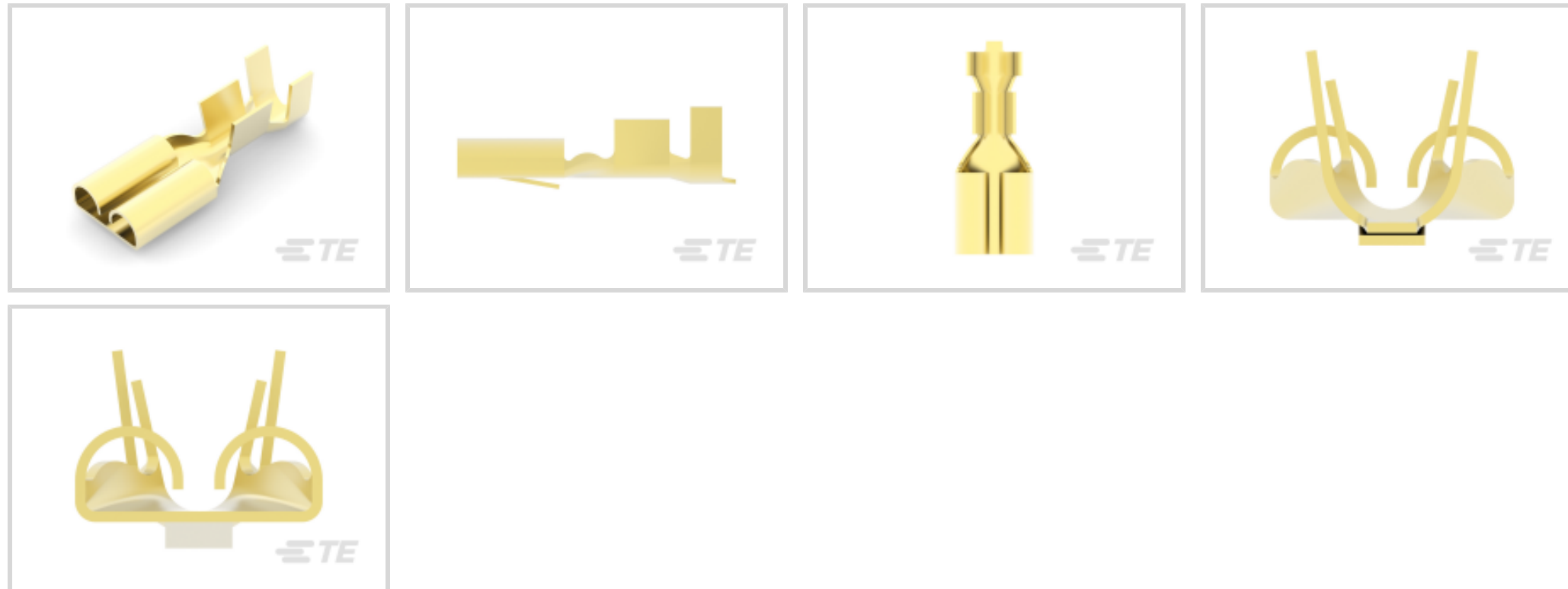
TE Internal #: 170089-1

Quick Disconnects, Receptacle, 14 – 12 AWG Wire Size, 2.1 – 3.31 mm<sup>2</sup> Wire Size, Mating Tab Width 6.35 mm [.25 in], Straight, Brass, FASTIN-FASTON 250

[View on TE.com >](#)



Terminals & Splices > Quick Disconnects



Quick Disconnect Terminal Type: **Receptacle**

Wire Size: **2.1 – 3.31 mm<sup>2</sup>**

Mating Tab Width: **6.35 mm [.25 in]**

Mating Tab Thickness: **.81 mm [.032 in]**

## Features

### Product Type Features

Insertion Force	Normal
-----------------	--------

### Configuration Features

Connection Capacity	Single
Compatible With Wire & Cable Type	Discrete Wire

### Contact Features

Quick Disconnect Terminal Type	Receptacle
Mating Tab Width	6.35 mm [.25 in]
Mating Tab Thickness	.81 mm [.032 in]
Terminal Orientation	Straight
Contact Base Material	Brass
Terminal Plating Material	Unplated
Crimp Type	F-Crimp
Barrel Type	Open

### Termination Features

--	--



Product Terminates To	Wire & Cable
-----------------------	--------------

### Mechanical Attachment

Locking Lance Height	.8 mm
----------------------	-------

Wire Insulation Support	With
-------------------------	------

Mating Retention Type	Locking Lance
-----------------------	---------------

### Dimensions

Terminal Material Thickness	.33 mm[.013 in]
-----------------------------	-----------------

Product Length	21.5 mm[.846 in]
----------------	------------------

Compatible Insulation Diameter Range	2.9 – 3.8 mm[.114 – .15 in]
--------------------------------------	-----------------------------

Wire Size	2.1 – 3.31 mm <sup>2</sup>
-----------	----------------------------

### Usage Conditions

Insulation Option	Uninsulated
-------------------	-------------

Operating Temperature Range	-40 – 110 °C[-40 – 230 °F]
-----------------------------	----------------------------

### Packaging Features

Packaging Quantity	5000
--------------------	------

Packaging Method	Strip/Reel
------------------	------------

### Other

Terminals & Splices Comment	Finish depends upon stress relief process, e.g., inert gas furnace (matte finish) or atmospheric furnace followed by acid (bright).
-----------------------------	---

### Product Compliance

[For compliance documentation, visit the product page on TE.com>](#)

EU RoHS Directive 2011/65/EU	Compliant
------------------------------	-----------

EU ELV Directive 2000/53/EC	Compliant
-----------------------------	-----------

China RoHS 2 Directive MIIT Order No 32, 2016	No Restricted Materials Above Threshold
---	---

EU REACH Regulation (EC) No. 1907/2006	Current ECHA Candidate List: JUNE 2023 (235) Candidate List Declared Against: JUNE 2023 (235) Does not contain REACH SVHC
--	---

Halogen Content	Low Halogen - Br, Cl, F, I < 900 ppm per homogenous material. Also BFR/CFR/PVC Free
-----------------	---

Solder Process Capability	Not applicable for solder process capability
---------------------------	--

Product Compliance Disclaimer

This information is provided based on reasonable inquiry of our suppliers and represents our current actual knowledge based on the information they provided. This information is subject to change. The part numbers that TE has identified as EU RoHS compliant have a maximum concentration of 0.1% by weight in homogenous materials for lead, hexavalent chromium, mercury, PBB, PBDE, DBP, BBP, DEHP, DIBP, and 0.01% for cadmium, or qualify for an exemption to these limits as defined in the Annexes of Directive 2011/65/EU (RoHS2). Finished electrical and electronic equipment products will be CE marked as required by Directive 2011/65/EU. Components may not be CE marked. Additionally, the part numbers that TE has identified as EU ELV compliant have a maximum concentration of 0.1% by weight in homogenous materials for lead, hexavalent chromium, and mercury, and 0.01% for cadmium, or qualify for an exemption to these limits as defined in the Annexes of Directive 2000/53/EC (ELV). Regarding the REACH Regulation, the information TE provides on SVHC in articles for this part number is based on the latest European Chemicals Agency (ECHA) 'Guidance on requirements for substances in articles' posted at this URL: <https://echa.europa.eu/guidance-documents/guidance-on-reach>

## Compatible Parts



TE Part # 1989879-1  
.250 SRS FASTIN-ON REC.



TE Part # 640841-1  
BLADE REC 250 20-16AWG BR



TE Part # 170303-1  
FF 250 REC 22-18AWG BR WITH LATCH



TE Part # 160950-1  
FF 250 REC BR SOLDERING



TE Part # 2-2150533-1  
OCEAN\_2.0\_Applicator-E-130F180F



TE Part # 2-2150533-2  
OCEAN\_2.0\_Applicator-E-130F180F



TE Part # 2-2150534-1  
OC-PA-E-FM-109F154OV-059-1104



TE Part # 2-2150534-2  
OC-PA-E-FA-109F154OV-059-1104



TE Part # 2150533-1  
OCEAN\_2.0\_Applicator-E-130F180F



TE Part # 2150533-2  
OCEAN\_2.0\_Applicator-E-130F180F



TE Part # 2150534-1  
OC-AT-E-FM-109F154OV-059-1104



TE Part # 2150534-2  
OC-AT-E-FA-109F154OV-059-1104




TE Part # 2819183-1  
250 SERIES FASTIN FASTON REC.



TE Part # 7-2150533-1  
OCEAN\_2.0\_Applicator-E-130F180F

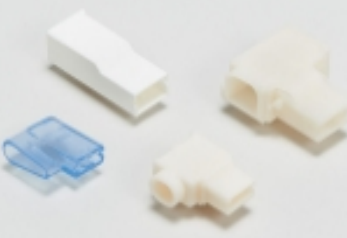


TE Part # 7-2150533-2  
OCEAN\_2.0\_Applicator-E-130F180F




**KIT**  
REPRESENTATION ONLY  
TE Part # 7-2150533-7  
OCEAN\_2.0\_SPARE\_PART\_KIT-130F180F


Also in the Series | **FASTIN-FASTON 250**




Crimp Terminal Housings(211)



Insertion & Extraction Tools(2)

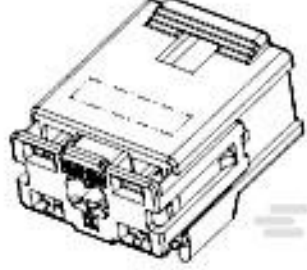


PCB Terminals(2)

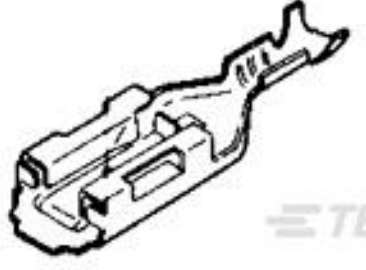


Quick Disconnects(254)

Customers Also Bought



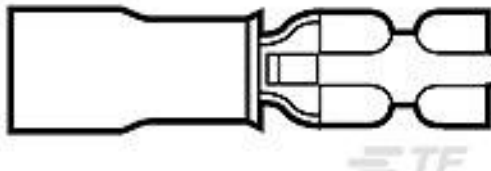
TE Part #1456471-1  
8p Hybrid 0.64/2.8 Unsealed PI



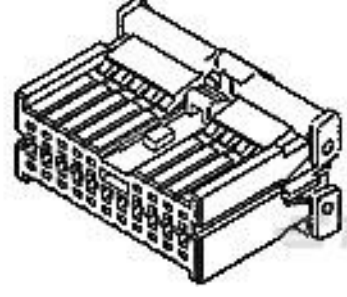
TE Part #170456-2  
PL 250 AM REC 12-10 0.40 X 21 PRE-TPBR



TE Part #1393127-9  
PRD-11AG0-120=PRD



TE Part #640927-1  
RECEPT,PIDG FASTON 16-14 110



TE Part #1123371-1  
040-3 MLC PLUG HSG ASSY 16P



TE Part #1394511-1  
EINZELLEITDICHTG,WS



TE Part #3-1393127-5  
PRD-11DG0-12=PRD



TE Part #1-2291193-3  
SMARTSEAL TERMINAL



TE Part #2203771-1  
3POS, MCON 1.2 CB REC 1p TL SEALED



TE Part #2305881-1  
CVTY PLUG,090 SERIES, CVTY DIA,1, GRY



## Documents

### Product Drawings

[FF 250 REC 14-12AWG BR](#)

Japanese

---

### CAD Files

[3D PDF](#)

3D

Customer View Model

[ENG\\_CVM\\_CVM\\_170089-1\\_P.2d\\_dxf.zip](#)

English

Customer View Model

[ENG\\_CVM\\_CVM\\_170089-1\\_P.3d\\_igs.zip](#)

English

Customer View Model

[ENG\\_CVM\\_CVM\\_170089-1\\_P.3d\\_stp.zip](#)

English

By downloading the CAD file I accept and agree to the [Terms and Conditions](#) of use.

---

### Product Specifications

[Crimping of 250 Series Tab and Receptacle Contacts](#)

Japanese

[Application Specification](#)

Japanese

[Application Specification](#)

Japanese

[Crimping of 250 Series Tab and Receptacle Contacts](#)

Japanese