

170072-1 ✓ ACTIVE



AMP-IN

TE Internal #: 170072-1

PCB Terminals, Receptacle, PCB Hole Diameter 1.83 mm [.072 in],

24 – 20 AWG Wire Size, .2 – .6 mm² Wire Size, Through Hole -

Solder, Pre-Tin Plating

[View on TE.com >](#)

Terminals & Splices > PCB Terminals



PCB Terminal Type: **Receptacle**

PCB Thickness (Recommended): **1.6 mm [.063 in]**

PCB Hole Diameter: **1.83 mm [.072 in]**

Profile Height from PCB: **6.8 mm [.271 in]**

Compatible Insulation Diameter (Max): **2.79 mm [.11 in]**

Features

Product Type Features

Terminal Features	Stud Hole
-------------------	-----------

Contact Features

Contact Underplating Material Thickness	.5 μm[19.68 μin]
Contact Mating Area Plating Material Thickness	.8 μm[31.5 μin]
PCB Terminal Type	Receptacle
Terminal Plating Material	Pre-Tin
Contact Underplating Material	Copper
Terminal Size	Standard
Terminal Orientation	Straight

Termination Features

Termination Method to Printed Circuit Board	Through Hole - Solder
Product Terminates To	Printed Circuit Board

Mechanical Attachment

Wire Insulation Support	With
-------------------------	------

Dimensions

Extension Below Board	3.6 mm[.141 in]
PCB Thickness (Recommended)	1.6 mm[.063 in]
PCB Hole Diameter	1.83 mm[.072 in]
Profile Height from PCB	6.8 mm[.271 in]
Compatible Insulation Diameter (Max)	2.79 mm[.11 in]
Compatible Insulation Diameter Range	1.52 – 2.79 mm[.06 – .11 in]
Wire Size	.2 – .6 mm ²

Usage Conditions

Insulation Option	Uninsulated
Operating Temperature Range	-30 – 105 °C[-22 – 221 °F]

Packaging Features

Packaging Quantity	7000
Packaging Method	Reel

Product Compliance

[For compliance documentation, visit the product page on TE.com>](#)

EU RoHS Directive 2011/65/EU	Compliant
EU ELV Directive 2000/53/EC	Compliant
China RoHS 2 Directive MIIT Order No 32, 2016	No Restricted Materials Above Threshold
EU REACH Regulation (EC) No. 1907/2006	Current ECHA Candidate List: JUNE 2023 (235) Candidate List Declared Against: JUNE 2023 (235) Does not contain REACH SVHC
Halogen Content	Low Halogen - Br, Cl, F, I < 900 ppm per homogenous material. Also BFR/CFR/PVC Free
Solder Process Capability	Wave solder capable to 240°C

Product Compliance Disclaimer

This information is provided based on reasonable inquiry of our suppliers and represents our current actual knowledge based on the information they provided. This information is subject to change. The part numbers that TE has identified as EU RoHS compliant have a maximum concentration of 0.1% by weight in homogenous materials for lead, hexavalent chromium, mercury, PBB, PBDE, DBP, BBP, DEHP, DIBP, and 0.01% for cadmium, or qualify for an exemption to these limits as defined in the Annexes of Directive 2011/65/EU (RoHS2). Finished electrical and electronic equipment products will be CE marked as required by Directive 2011/65/EU. Components may not be CE marked. Additionally, the part numbers that TE has identified as EU ELV compliant have a maximum concentration of 0.1% by weight in homogenous materials for lead, hexavalent chromium, and mercury, and 0.01% for cadmium, or qualify for an exemption to these limits

as defined in the Annexes of Directive 2000/53/EC (ELV). Regarding the REACH Regulation, the information TE provides on SVHC in articles for this part number is based on the latest European Chemicals Agency (ECHA) 'Guidance on requirements for substances in articles' posted at this URL: <https://echa.europa.eu/guidance-documents/guidance-on-reach>

Compatible Parts



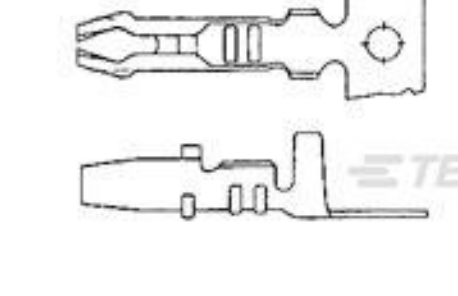
TE Part # 2305570-1
Strip Terminal Cutter-Side Feed-No Crimp



TE Part # 3-42642-3
AMP-IN TERM IS 22-20 010PTBR



TE Part # 154645-2
AMP-IN TERMINAL



TE Part # 170072-6
AMP-IN KONTAKT



TE Part # 2-2266586-1
OC-PA-S-FM-062F100F-001-0127



TE Part # 2-2266586-2
OC-PA-S-FA-062F100F-001-0127



TE Part # 2266586-1
OC-AT-S-FM-062F100F-001-0127



TE Part # 2266586-2
OC-AT-S-FA-062F100F-001-0127



KIT
REPRESENTATION ONLY

TE Part # 7-2266586-7
OC-062F100F-CRIMPTOOLINGKIT

Customers Also Bought



TE Part #207464-2
CRIMP SNAP PLUG ASSY,SZ 3



TE Part #207463-1
CRIMP SNAP RCPT ASSY,SZ 3



TE Part #204517-2
AMPLIMITE,ASY,PLUG,STD,90,3



TE Part #1-1437719-5
T01-0550-P03-MALE PLUG CONNECTOR SOLDER



TE Part #204505-1
AMPLIMITE,ASY,PLUG,STD,90,3



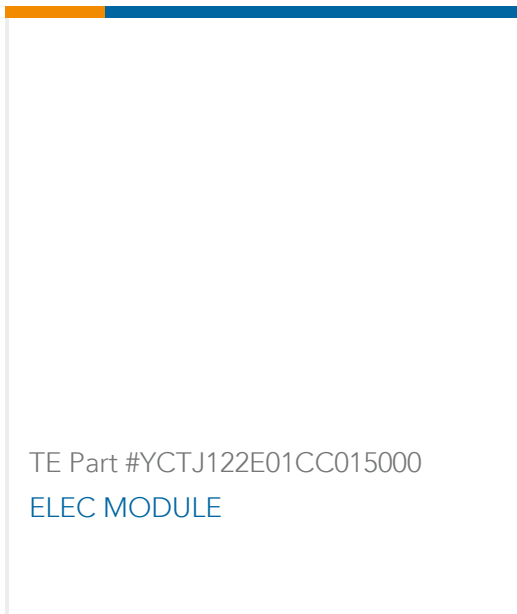
TE Part #794184-1
02P MINI UMN2 PLUG HSG UL94V0



TE Part #8638624002
RNF-3000-18/6-0-SP



TE Part #2311770-1
AMPL REC, HD22, R/A, 44P,
THREADED



TE Part #YCTJ122E01CC015000
ELEC MODULE

Documents

Product Drawings

AMP-IN 24-20 AWG

English

CAD Files

3D PDF

3D

Customer View Model

[ENG_CVM_CVM_170072-1_V.2d_dxf.zip](#)

English

Customer View Model

[ENG_CVM_CVM_170072-1_V.3d_igs.zip](#)

English

Customer View Model

[ENG_CVM_CVM_170072-1_V.3d_stp.zip](#)

English

3D PDF

English

Customer View Model

[ENG_CVM_170072-1_L1.2d_dxf.zip](#)

English

Customer View Model

[ENG_CVM_170072-1_L1.3d_igs.zip](#)

English

Customer View Model

[ENG_CVM_170072-1_L1.3d_stp.zip](#)

English



By downloading the CAD file I accept and agree to the [Terms and Conditions](#) of use.

Product Specifications

Application Specification

English

Crimping AMP-IN Terminals

English