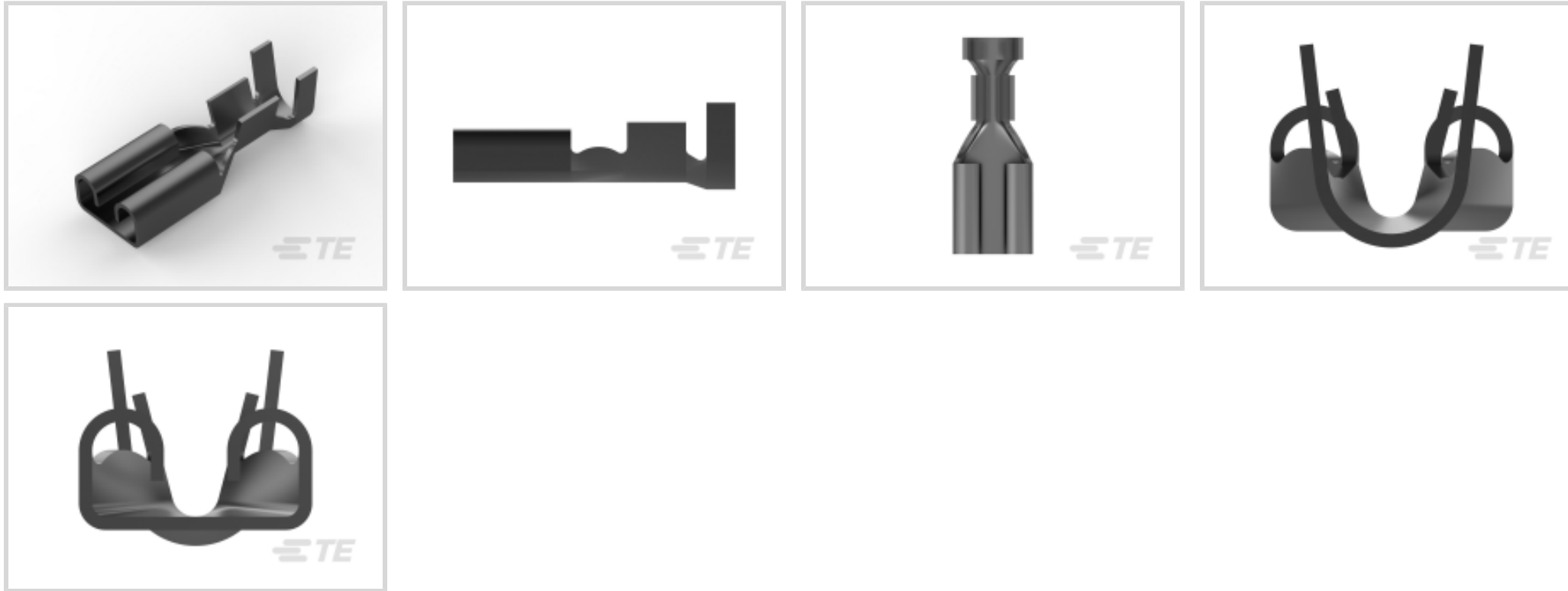




Terminals & Splices > Quick Disconnects



Quick Disconnect Terminal Type: **Receptacle**

Wire Size: .51 – 1.31 mm<sup>2</sup>

Mating Tab Width: 4.75 mm [.187 in]

Mating Tab Thickness: .51 mm [.02 in]

### Features

#### Product Type Features

Insertion Force	Normal
-----------------	--------

#### Configuration Features

Connection Capacity	Single
Compatible With Wire & Cable Type	Discrete Wire

#### Contact Features

Quick Disconnect Terminal Type	Receptacle
Mating Tab Width	4.75 mm [.187 in]
Mating Tab Thickness	.51 mm [.02 in]
Terminal Orientation	Straight
Contact Base Material	Brass
Terminal Plating Material	Tin
Crimp Type	F-Crimp
Barrel Type	Open

#### Termination Features

--	--



Product Terminates To	Wire & Cable
-----------------------	--------------

### Mechanical Attachment

Wire Insulation Support	With
Mating Retention Type	Dimple

### Dimensions

Terminal Material Thickness	.3 mm[.012 in]
Product Length	16.6 mm[.653 in]
Compatible Insulation Diameter Range	2.29 – 3.3 mm[.09 – .13 in]
Wire Size	.51 – 1.31 mm <sup>2</sup>

### Usage Conditions

Insulation Option	Uninsulated
Operating Temperature Range	-40 – 110 °C[-40 – 230 °F]

### Industry Standards

Agency/Standard	CSA, UL
-----------------	---------

### Packaging Features

Packaging Quantity	9000
Packaging Method	Strip/Reel

### Product Compliance

[For compliance documentation, visit the product page on TE.com>](#)

EU RoHS Directive 2011/65/EU	Compliant
EU ELV Directive 2000/53/EC	Compliant
China RoHS 2 Directive MIIT Order No 32, 2016	No Restricted Materials Above Threshold
EU REACH Regulation (EC) No. 1907/2006	Current ECHA Candidate List: JUNE 2023 (235) Candidate List Declared Against: JUNE 2023 (235) Does not contain REACH SVHC
Halogen Content	Low Halogen - Br, Cl, F, I < 900 ppm per homogenous material. Also BFR/CFR/PVC Free
Solder Process Capability	Not applicable for solder process capability

Product Compliance Disclaimer

This information is provided based on reasonable inquiry of our suppliers and represents our current actual knowledge based on the information they provided. This information is subject to change. The part numbers that TE has identified as EU RoHS compliant have a maximum concentration of 0.1% by weight in homogenous materials for lead, hexavalent chromium, mercury, PBB, PBDE, DBP, BBP, DEHP, DIBP, and 0.01% for cadmium, or qualify for an exemption to these limits as defined in the Annexes of Directive 2011/65/EU (RoHS2). Finished electrical and electronic equipment products will be CE marked as required by Directive 2011/65/EU. Components may not be CE marked. Additionally, the part numbers that TE has identified as EU ELV compliant have a maximum concentration of 0.1% by weight in homogenous materials for lead, hexavalent chromium, and mercury, and 0.01% for cadmium, or qualify for an exemption to these limits as defined in the Annexes of Directive 2000/53/EC (ELV). Regarding the REACH Regulation, the information TE provides on SVHC in articles for this part number is based on the latest European Chemicals Agency (ECHA) 'Guidance on requirements for substances in articles' posted at this URL: <https://echa.europa.eu/guidance-documents/guidance-on-reach>

## Compatible Parts



TE Part # 2150007-1  
OCEAN\_2.0\_Applicator-E-090F140F



TE Part # 755336-1  
DAHT FASTON 22-14 ASSY



TE Part # 2150007-2  
OCEAN\_2.0\_Applicator-E-090F140F



TE Part # 2178549-2  
187 FASTON,REC.,18-14 AWG,TPBR



TE Part # 2232975-1  
187 FASTON,REC.,20-16 AWG,TPBR



TE Part # 7-2150007-1  
OCEAN\_2.0\_Applicator-E-090F140F



TE Part # 7-2150007-2  
OCEAN\_2.0\_Applicator-E-090F140F



TE Part # 7-2150007-7  
OCEAN\_2.0\_SPARE\_PART\_KIT-090F140F



TE Part # 2-2150007-1  
OCEAN\_2.0\_Applicator-E-090F140F



TE Part # 2-2150007-2  
OCEAN\_2.0\_Applicator-E-090F140F



TE Part # 2825630-1  
STD MAG-MATE .187 POKE-IN TAB



TE Part # 2825631-1  
STD MAG-MATE .187 POKE-IN TAB



TE Part # 2825632-1  
STD MAG-MATE .187 POKE-IN TAB



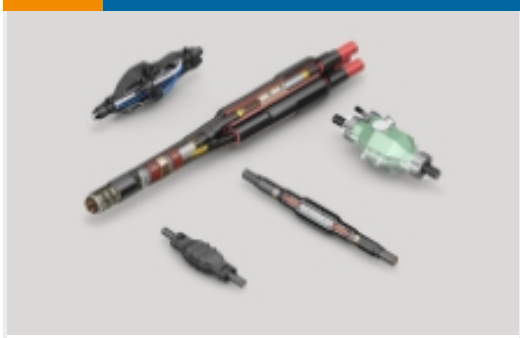
## Also in the Series | FASTON 187



Crimp Terminal Housings(42)



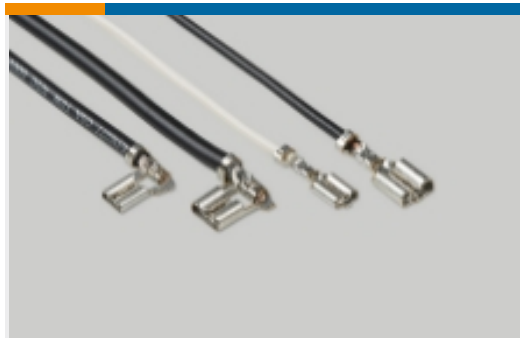
Insertion & Extraction Tools(1)



Joints & Splices(1)



PCB Terminals(42)



Quick Disconnects(209)

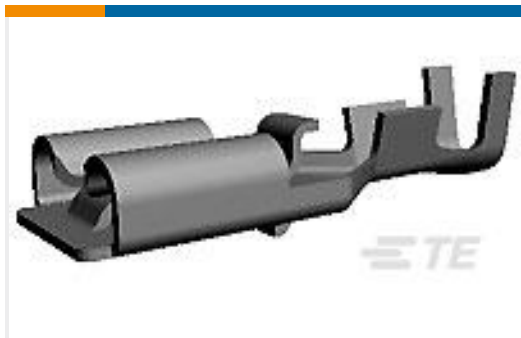


Splices(1)

## Customers Also Bought



TE Part #170140-1  
187 FASTON,FLAG,REC.,16-20 AWG, BR



TE Part #179974-1  
250 PL EX REC. 18-14AWG PTBR



TE Part #41802  
250 FASTON FLAG REC 18-12 AWG TPBR



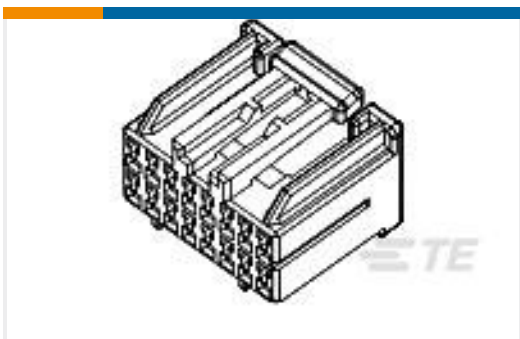
TE Part #1-1565087-2  
GRACE INERTIA CONNECTOR 3.5 4P



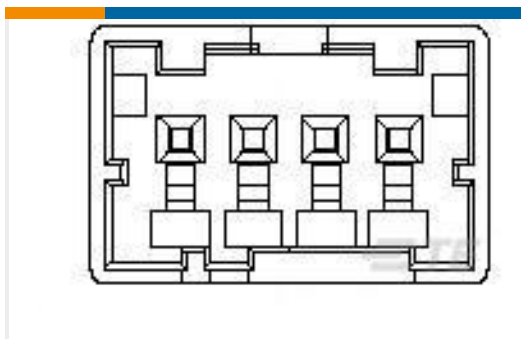
TE Part #1612335-1  
GRACE INERTIA 3.5 TAB CONTACT (M)



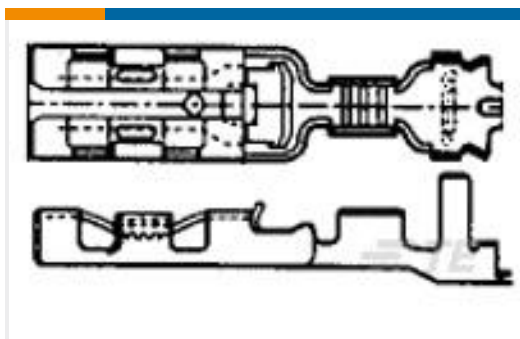
TE Part #1827386-1  
GIC 3.3 PLUG HOUSING 6P



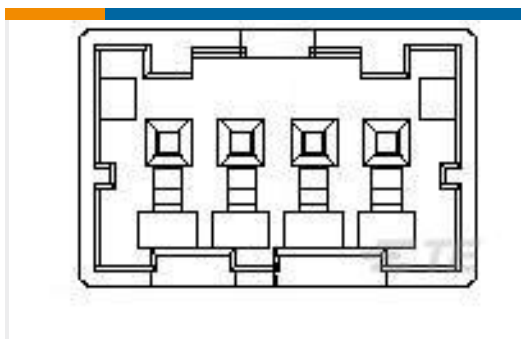
TE Part #917992-6  
HYBRID MK-2 PLUG HSG ASSY 26P



TE Part #2-1903393-3  
GIC 2.5 W CAP HSG 4P BLUE



TE Part #353250-2  
110 PL EX REC. 20-16AWG PTPHBZ



TE Part #1903393-1  
GIC 2.5 W CAP HSG 4P NATURAL



## Documents

### Product Drawings

[187 FASTON,REC.,20-16 AWG,TPBR](#)

English

---

### CAD Files

Customer View Model

[ENG\\_CVM\\_CVM\\_170037-2\\_AD.2d\\_dxf.zip](#)

English

[3D PDF](#)

3D

Customer View Model

[ENG\\_CVM\\_CVM\\_170037-2\\_AD.3d\\_igs.zip](#)

English

Customer View Model

[ENG\\_CVM\\_CVM\\_170037-2\\_AD.3d\\_stp.zip](#)

English

By downloading the CAD file I accept and agree to the [Terms and Conditions](#) of use.

---

### Product Specifications

[Application Specification](#)

English

---

### Product Environmental Compliance

[Product Compliance Document](#)

English

[Product Compliance Document](#)

English

---

### Instruction Sheets

[Instruction Sheet \(non U.S.\)](#)

Japanese