



TE Internal #: 168341-E

IDC Cable Assembly, 40 Positions, .98 ft [.3 m], Gray Cable, 30 AWG, .05 mm², Ribbon Cable, Socket Housing, Socket Housing, VW-1

[View on TE.com >](#)

Cable Assemblies > Copper Cable Assemblies > Pluggable I/O Cable Assemblies



Cable Assembly Type: IDC

Wire Size: .05 mm²

Shielded: No

Cable Assembly Length: .3 m [.98 ft]

Features

Product Type Features

Cable Assembly Type	IDC
Connector Type (End A)	Socket Housing
Connector Type (End B)	Socket Housing
Cable Style	Ribbon Cable

Configuration Features

Number of Positions	40
---------------------	----

Electrical Characteristics

Impedance	125 Ω
-----------	-------

Body Features

Cable Color	Gray
Cable Flammability Rating	VW-1

Contact Features

Contact Mating Area Plating Material	Gold (Au)
--------------------------------------	-----------

Mechanical Attachment

Mating Alignment	With
------------------	------



Housing Features

Housing Material	LCP
------------------	-----

Dimensions

Wire Size	.05 mm ²
-----------	---------------------

Operation/Application

Shielded	No
----------	----

Other

Cable Assembly Configuration	Double Ended
------------------------------	--------------

Cable Assembly Length	.3 m [.98 ft]
-----------------------	---------------

Product Compliance

[For compliance documentation, visit the product page on TE.com>](#)

EU RoHS Directive 2011/65/EU	Compliant
EU ELV Directive 2000/53/EC	Not Yet Reviewed
China RoHS 2 Directive MIIT Order No 32, 2016	No Restricted Materials Above Threshold
EU REACH Regulation (EC) No. 1907/2006	Current ECHA Candidate List: JUNE 2023 (235) Candidate List Declared Against: JUNE 2022 (224) Does not contain REACH SVHC
Halogen Content	Not Yet Reviewed for halogen content
Solder Process Capability	Not reviewed for solder process capability

Product Compliance Disclaimer

This information is provided based on reasonable inquiry of our suppliers and represents our current actual knowledge based on the information they provided. This information is subject to change. The part numbers that TE has identified as EU RoHS compliant have a maximum concentration of 0.1% by weight in homogenous materials for lead, hexavalent chromium, mercury, PBB, PBDE, DBP, BBP, DEHP, DIBP, and 0.01% for cadmium, or qualify for an exemption to these limits as defined in the Annexes of Directive 2011/65/EU (RoHS2). Finished electrical and electronic equipment products will be CE marked as required by Directive 2011/65/EU. Components may not be CE marked. Additionally, the part numbers that TE has identified as EU ELV compliant have a maximum concentration of 0.1% by weight in homogenous materials for lead, hexavalent chromium, and mercury, and 0.01% for cadmium, or qualify for an exemption to these limits as defined in the Annexes of Directive 2000/53/EC (ELV). Regarding the REACH Regulation, the information TE provides on SVHC in articles for this part number is based on the latest European Chemicals Agency (ECHA) 'Guidance on requirements for substances in articles' posted at this URL: <https://echa.europa.eu/guidance-documents/guidance-on-reach>

Compatible Parts



TE Part # 173795-E
IDCCS SMC 1,27 50 * AU AUI 300 PVC



TE Part # 173798-E
IDCCS SMC 1,27 26 * AU AUI 300 PVC



TE Part # 173801-E
IDCCS SMC 1,27 12 * AU AUI 300 PVC



TE Part # 193889-E
IDCCS SMC 1,27 68 * AU AUI 200 PVC



TE Part # 193893-E
IDCCS SMC 1,27 80 * AU AUI 300 PVC

Customers Also Bought



TE Part #6609069-2
12FC10 J0=F7738



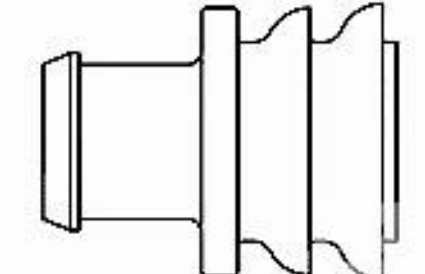
TE Part #9-1462037-9
IM06CGR=IM RELAY 140mW12V HDV



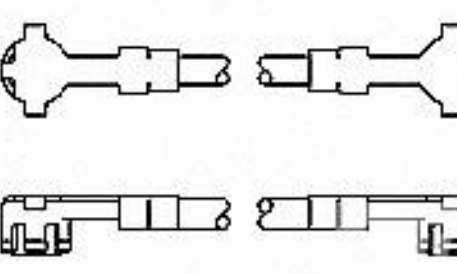
TE Part #3-2176055-7
RLP73K 2B R33 1% 1K RL



TE Part #1-1879075-3
THS25 1R0 5%



TE Part #281934-4
SINGLE WIRE SEAL



TE Part #1064524-1
9960 1100 24



TE Part #1734035-1
MINI USB, TYPE B, R/A, SMT



TE Part #5-104186-1
04 SYS 50 HDR SRRA UNSHRD TIN



TE Part #1055688-1
2367 5001 54, VERT PLUG



TE Part #168340-E
IDCCS SMC 1,27 40 * AU AUI 200 PVC

Documents



CAD Files

Customer View Model

[ENG_CVM_CVM_168341-E_1.2d_dxf.zip](#)

English

Customer View Model

[ENG_CVM_CVM_168341-E_1.3d_stp.zip](#)

English

Customer View Model

[ENG_CVM_CVM_168341-E_1.3d_igs.zip](#)

English

3D PDF

3D

By downloading the CAD file I accept and agree to the [Terms and Conditions](#) of use.

Datasheets & Catalog Pages

[Datasheet - ERNI SMC 1.27mm Connectors](#)

[Datasheet - ERNI SMC 1.27mm Connectors](#)

English

[Datasheet - ERNI SMC 1.27mm Connectors](#)

German