

1674335-4 ✓ ACTIVE

Dynamic Series

TE Internal #: 1674335-4

Connector Contact, Receptacle, Component-to-Wire, 26 – 22 AWG

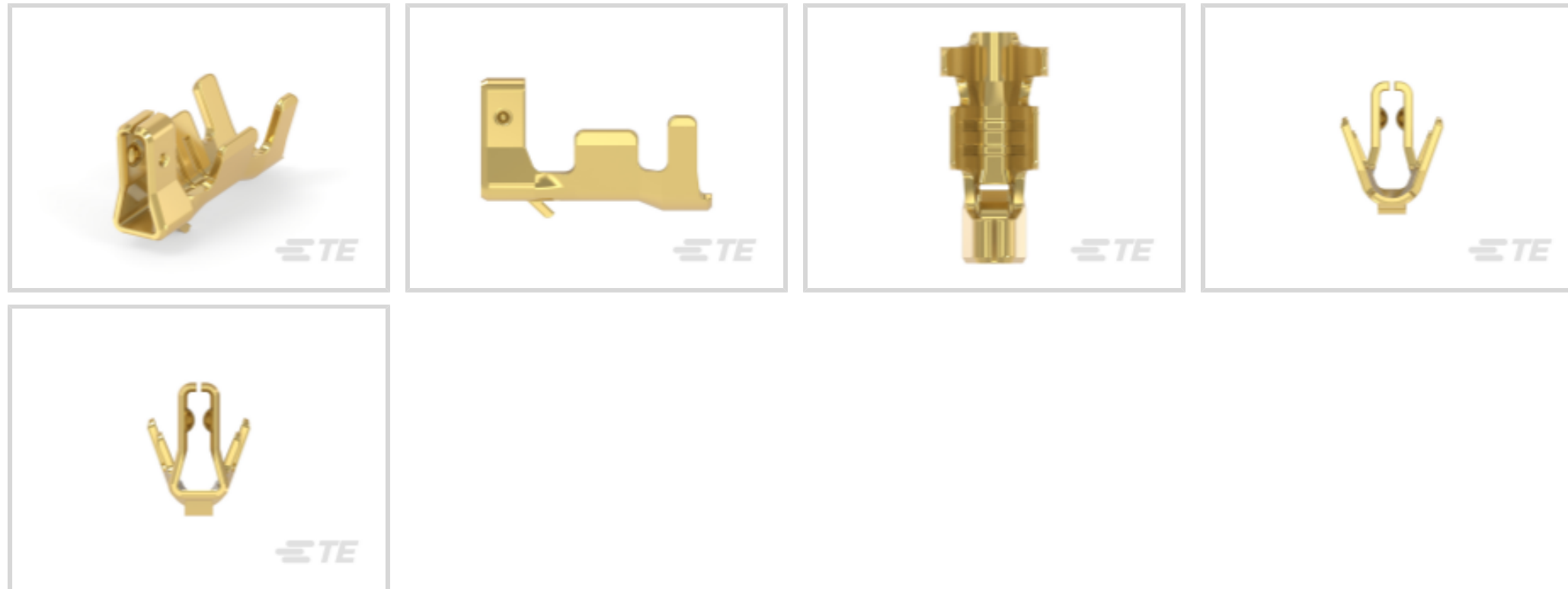
Wire Size, .4 – .34 mm² Wire Size, Gold, Reel & Box, Wire & Cable,

1 A, Signal

[View on TE.com >](#)



Connectors > PCB Connectors > Wire-to-Board Connectors > Wire-to-Board Connector Contacts



Contact Type: **Receptacle**

Connector System: **Component-to-Wire**

Wire Size: **.4 – .34 mm²**

Contact Mating Area Plating Material: **Gold**

Features

Product Type Features

Connector System	Component-to-Wire
Connector & Contact Terminates To	Wire & Cable

Contact Features

Mating Tab Width	.8 mm[.031 in]
Mating Tab Thickness	.33 mm[.013 in]
Contact Type	Receptacle
Contact Mating Area Plating Material	Gold
Contact Current Rating (Max)	1 A

Dimensions

Wire Size	.4 – .34 mm ²
-----------	--------------------------

Usage Conditions

Operating Temperature Range	-30 – 105 °C[-22 – 221 °F]
-----------------------------	----------------------------

Operation/Application

Circuit Application	Signal
---------------------	--------



Packaging Features

Packaging Method	Reel & Box
------------------	------------

Product Compliance

[For compliance documentation, visit the product page on TE.com>](#)

EU RoHS Directive 2011/65/EU	Compliant
EU ELV Directive 2000/53/EC	Compliant
China RoHS 2 Directive MIIT Order No 32, 2016	No Restricted Materials Above Threshold
EU REACH Regulation (EC) No. 1907/2006	Current ECHA Candidate List: JUNE 2023 (235) Candidate List Declared Against: JUNE 2023 (235) Does not contain REACH SVHC
Halogen Content	Low Halogen - Br, Cl, F, I < 900 ppm per homogenous material. Also BFR/CFR/PVC Free
Solder Process Capability	Not applicable for solder process capability

Product Compliance Disclaimer

This information is provided based on reasonable inquiry of our suppliers and represents our current actual knowledge based on the information they provided. This information is subject to change. The part numbers that TE has identified as EU RoHS compliant have a maximum concentration of 0.1% by weight in homogenous materials for lead, hexavalent chromium, mercury, PBB, PBDE, DBP, BBP, DEHP, DIBP, and 0.01% for cadmium, or qualify for an exemption to these limits as defined in the Annexes of Directive 2011/65/EU (RoHS2). Finished electrical and electronic equipment products will be CE marked as required by Directive 2011/65/EU. Components may not be CE marked. Additionally, the part numbers that TE has identified as EU ELV compliant have a maximum concentration of 0.1% by weight in homogenous materials for lead, hexavalent chromium, and mercury, and 0.01% for cadmium, or qualify for an exemption to these limits as defined in the Annexes of Directive 2000/53/EC (ELV). Regarding the REACH Regulation, the information TE provides on SVHC in articles for this part number is based on the latest European Chemicals Agency (ECHA) 'Guidance on requirements for substances in articles' posted at this URL: <https://echa.europa.eu/guidance-documents/guidance-on-reach>

Compatible Parts

 <p>TE Part # 2305570-1 Strip Terminal Cutter-Side Feed-No Crimp</p>	 <p>TE Part # 1747464-1 MICRO MOTER ENCODER IO KIT W /O</p>	 <p>TE Part # 2-2266240-1 OCEAN_2.0_APPLICATOR-S-046F044F</p>	 <p>TE Part # 2266240-1 OCEAN_2.0_APPLICATOR-S-046F044F</p>
---	--	--	--




TE Part # 2266240-2
OCEAN_2.0_APPLICATOR-S-046F044FA



TE Part # 7-2266240-1
OCEAN_2.0_APPLICATOR-S-046F044F




TE Part # 7-2266240-2
OCEAN_2.0_APPLICATOR-S-046F044FA



TE Part # 7-2266240-7
OCEAN_2.0_SPARE_PART_KIT-046F044F



TE Part # 2-2266240-2
OCEAN_2.0_APPLICATOR-S-046F044FA



TE Part # 1596847-1
SAHT MICRO MOTOR REC 26-22 ASSY

Customers Also Bought



TE Part #1-179553-3
DYNAMIC D-3200 WTW TAB HSG 3P



TE Part #917511-2
Contact: Component To Wire; 15A, 28-14 wire size



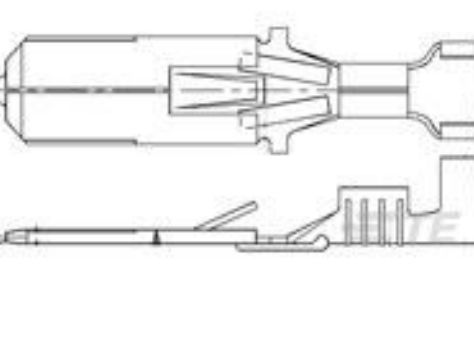
TE Part #1-1827864-5
DYNAMIC 1200D REC HSG 10P X BLACK



TE Part #177900-1
POWER DBL LOCK PLUG HSG 4P



TE Part #1-1827579-1
DYNAMIC 1500T REC HSG 3P X BLACK



TE Part #170151-2
FF 250 TAB 18-14AWG PTBR



TE Part #1747418-2
DYNAMIC D4200 REC CONT M



TE Part #480435-1
187 FASTON HSG. REC 1P NATURAL

Documents

Product Drawings

REC. CONT. REEL,MICRO MOTOR CO

Japanese

CAD Files

3D PDF

3D

Customer View Model

ENG_CVM_CVM_1674335-4_B.2d_dxf.zip



English

Customer View Model

[ENG_CVM_CVM_1674335-4_B.3d_igs.zip](#)

English

Customer View Model

[ENG_CVM_CVM_1674335-4_B.3d_stp.zip](#)

English

By downloading the CAD file I accept and agree to the [Terms and Conditions](#) of use.

Datasheets & Catalog Pages

[1-1773732-4_DYNAMIC_SERIES_CATALOG_ENGLISH](#)

Japanese

[1-1773732-4_DYNAMIC_SERIES_CATALOG_ENGLISH](#)

English

Product Specifications

[Application Specification](#)

English

Instruction Sheets

[Instruction Sheet \(non U.S.\)](#)

English