

1670146-3 ✓ ACTIVE

AMP | MCON Interconnection System

TE Internal #: 1670146-3

Automotive Terminals, Receptacle, Mating Tab Width 1.2 mm [.047 in], Tab Thickness .6 mm [.024 in], 20 – 18 AWG Wire Size, MCON Interconnection System

[View on TE.com >](#)



Terminals & Splices > Automotive Terminals > MCON Receptacle and Tab



Terminal Type: **Receptacle**

Mating Tab Width: **1.2 mm [.047 in]**

Mating Tab Thickness: **.6 mm [.024 in]**

Terminal Transmits: **0 – 24 A (Low Power)**

Wire Size: **20 – 18 AWG**

[All MCON Receptacle and Tab \(103\)](#)

Features

Product Type Features

Receptacle Style	180°
Sealable	Yes
Primary Locking Feature	Clean Body

Body Features

Terminal Seal Type	Single Wire Seal (SWS)
--------------------	------------------------

Contact Features

Contact Size	1.2mm
Contact Fabrication	Stamped & Formed
Typical Current Rating	11.75 A
Crimp Type	F-Crimp
Terminal Type	Receptacle
Mating Tab Width	1.2 mm[.047 in]
Mating Tab Thickness	.6 mm[.024 in]
Interface Plating	Silver (Ag)

Termination Features

Termination Method to Wire & Cable	Crimp
------------------------------------	-------



Product Terminates To

Wire

Dimensions

Compatible Insulation Diameter Range

1.4 – 1.9 mm [.055 – .075 in]

Wire Size

.5 – .75 mm²

Wire Size Search

18 AWG, 19 AWG, 20 AWG

Usage Conditions

Insulation Option

Uninsulated

Operating Temperature (Max)

80 °C, 85 °C, 90 °C, 100 °C, 105 °C, 110 °C, 120 °C, 125 °C, 130 °C, 140 °C, 145 °C, 150 °C [176 °F][185 °F][194 °F][212 °F][221 °F][230 °F][248 °F][257 °F][266 °F][284 °F][293 °F][302 °F]

Operating Temperature Range

-40 – 150 °C [-40 – 302 °F]

Operation/Application

Compatible With Wire Base Material

Copper

Packaging Features

Packaging Quantity

6500

Packaging Method

Reel

Other

Terminal Transmits

0 – 24 A (Low Power)

Product Compliance

For compliance documentation, visit the product page on [TE.com](https://www.te.com)>

EU RoHS Directive 2011/65/EU

Compliant

EU ELV Directive 2000/53/EC

Compliant

China RoHS 2 Directive MIIT Order No 32, 2016

No Restricted Materials Above Threshold

EU REACH Regulation (EC) No. 1907/2006

Current ECHA Candidate List: JUNE 2023 (235)
Candidate List Declared Against: JUNE 2023 (235)
Does not contain REACH SVHC

Halogen Content

Low Halogen - Br, Cl, F, I < 900 ppm per homogenous material. Also BFR/CFR/PVC Free

Solder Process Capability

Not applicable for solder process capability



Product Compliance Disclaimer

This information is provided based on reasonable inquiry of our suppliers and represents our current actual knowledge based on the information they provided. This information is subject to change. The part numbers that TE has identified as EU RoHS compliant have a maximum concentration of 0.1% by weight in homogenous materials for lead, hexavalent chromium, mercury, PBB, PBDE, DBP, BBP, DEHP, DIBP, and 0.01% for cadmium, or qualify for an exemption to these limits as defined in the Annexes of Directive 2011/65/EU (RoHS2). Finished electrical and electronic equipment products will be CE marked as required by Directive 2011/65/EU. Components may not be CE marked. Additionally, the part numbers that TE has identified as EU ELV compliant have a maximum concentration of 0.1% by weight in homogenous materials for lead, hexavalent chromium, and mercury, and 0.01% for cadmium, or qualify for an exemption to these limits as defined in the Annexes of Directive 2000/53/EC (ELV). Regarding the REACH Regulation, the information TE provides on SVHC in articles for this part number is based on the latest European Chemicals Agency (ECHA) 'Guidance on requirements for substances in articles' posted at this URL: <https://echa.europa.eu/guidance-documents/guidance-on-reach>

Compatible Parts



TE Part # 1579007-8
EXTRACTION TOOL



TE Part # 2098557-1
2POS, MCON 1.2 CB REC 2p TL SEALED



TE Part # 1-1456426-1
4POS, MCON 1.2 CB REC 2p TL SEALED



TE Part # 1924292-5
6POS, MCON 1.2 CB REC 2p TL SEALED




TE Part # 1-1924067-2
2POS, MCON 1.2 CB REC 2p TL SEALED



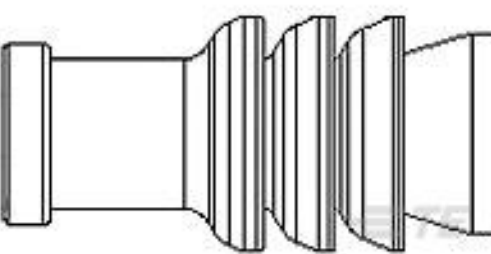
TE Part # 964972-1
EINZELLEITERDICTNG



TE Part # 2098582-1
WIRE SEAL,RUBBER,SENSOR, RED



TE Part # 967067-1
MQS SGL WIRE SEAL



TE Part # 967067-2
MQS EINZELLEITDICTH



TE Part # 2305570-1
Strip Terminal Cutter-Side Feed-No Crimp



TE Part # 2141116-3
MCON 1.2 CB TAB SWS AG



TE Part # 1-1579007-0
EXTRACTION TOOL



TE Part # 8-1579008-4
EXTRACTION TOOL



TE Part # 1-2203773-3
Plug Ass'y, 4P Sealed, Key C, CPA



TE Part # 1-2203771-1
3POS, MCON 1.2 CB REC 1p TL SEALED



TE Part # 1-2203771-2
Plug Ass'y, 3P Sealed, Key B, CPA



TE Part # 2098541-2
3POS, MCON 1.2 CB REC 2p TL
SEALED



TE Part # 2098557-4
2POS, MCON 1.2 CB REC 2p TL
SEALED

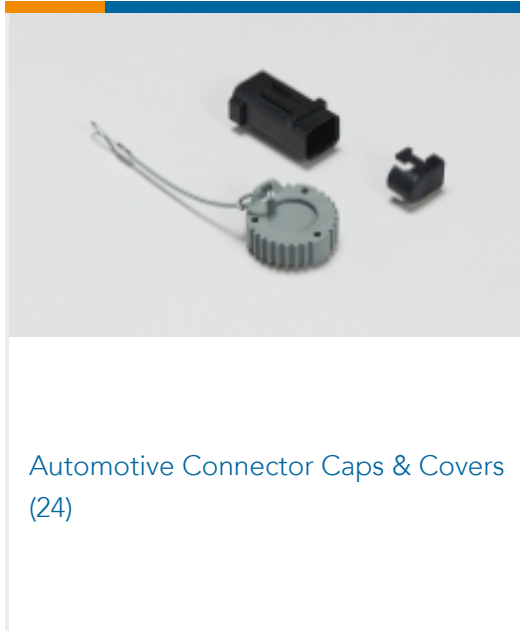


TE Part # 4-2098541-1
3POS, MCON 1.2 CB REC 2p TL
SEALED



TE Part # 1488992-5
3POS, MCON 1.2 CB REC 2p SL
SEALED

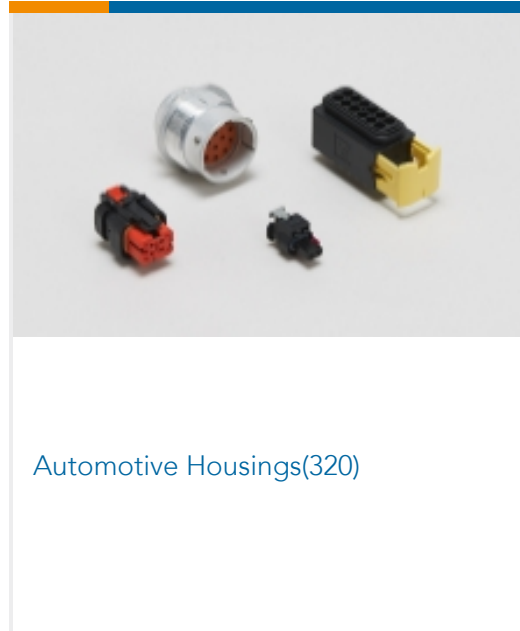
Also in the Series | MCON Interconnection System



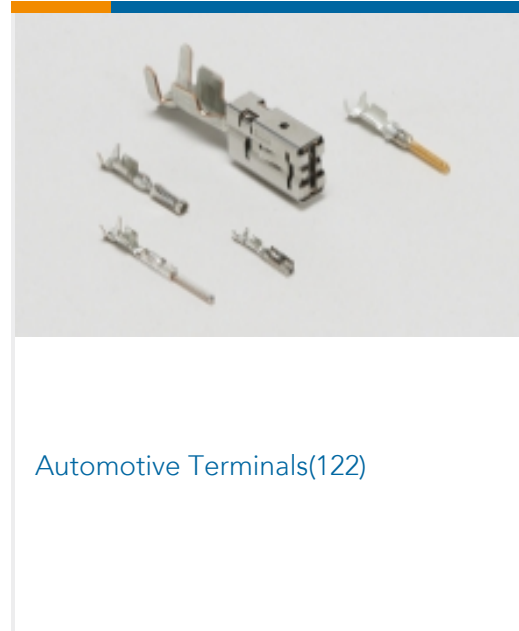
Automotive Connector Caps & Covers
(24)



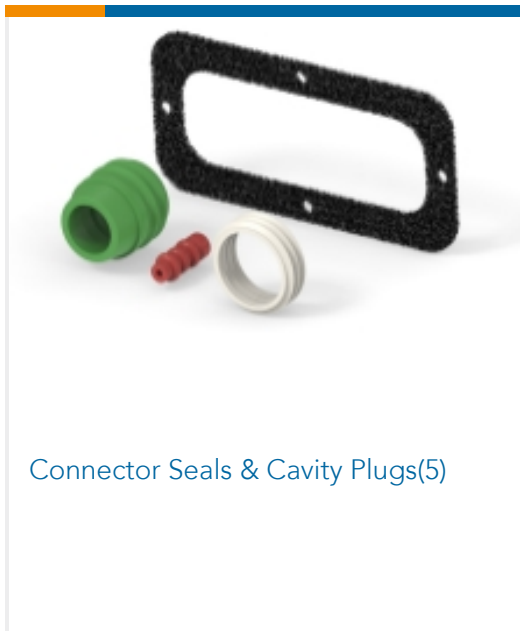
Automotive Connector Locks &
Position Assurance(11)



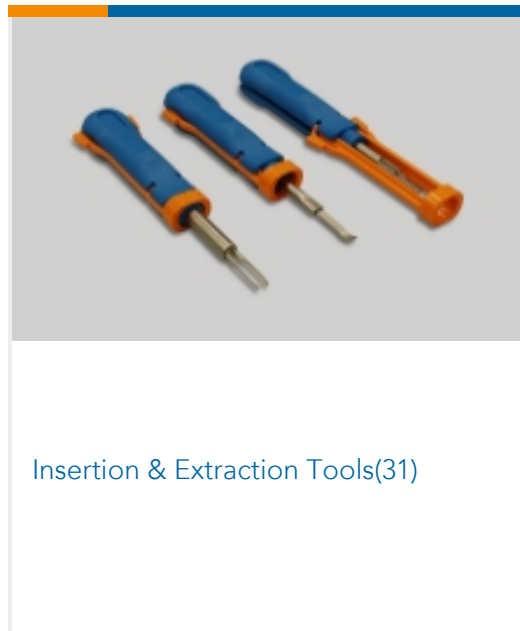
Automotive Housings(320)



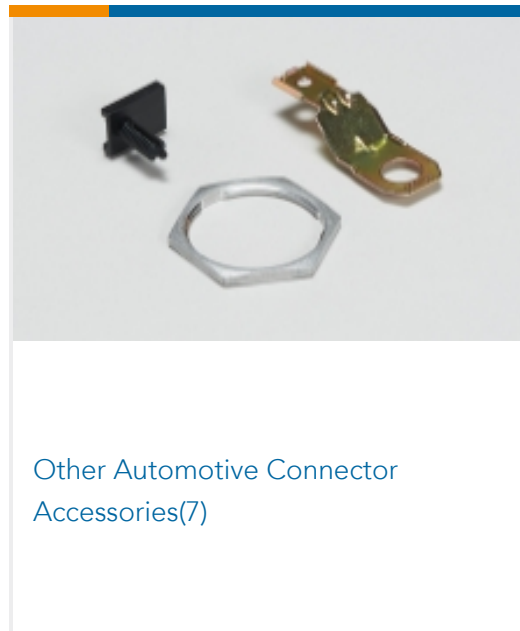
Automotive Terminals(122)



Connector Seals & Cavity Plugs(5)



Insertion & Extraction Tools(31)

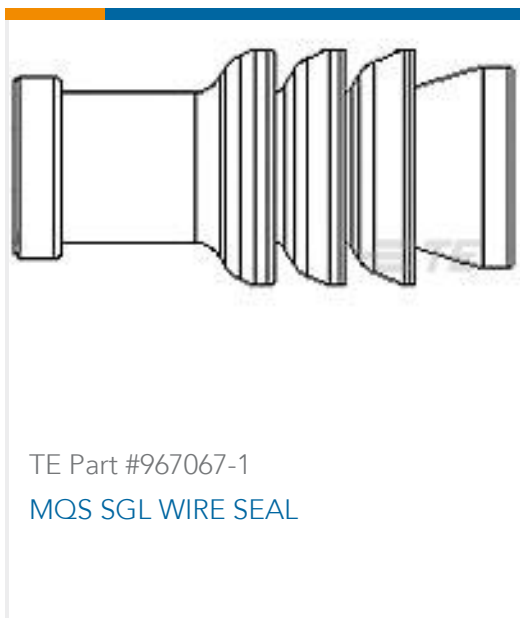


Other Automotive Connector
Accessories(7)



PCB Headers & Receptacles(2)

Customers Also Bought



TE Part #967067-1
MQS SGL WIRE SEAL



TE Part #7-1452668-2
MCON 1.2 LL REC SWS AU



TE Part #2309644-3
30P NANOMQS/US050 LL CONN, W
/CPA, KEY C



TE Part #184393-2
2X2 PLUG ASSEMBLY, B KEY, GRAY



TE Part #1-2287018-3
TAB 9.5X1.2,6SQMM,AG



TE Part #1633601-3
SLUG BLADE



TE Part #1-2287390-4
SINGLE WIRE SEAL,4MM, ASSY



TE Part #2819293-1
PIVOTED ARM ASSEMBLY



Documents

Product Drawings

[MCON 1.2 CB REC SWS AG](#)

German

[MCON 1.2 CB REC SWS AG](#)

English

CAD Files

Customer View Model

[ENG_CVM_1670146-3_F2.3d_igs.zip](#)

English

Customer View Model

[ENG_CVM_1670146-3_F2.3d_stp.zip](#)

English

Customer View Model

[ENG_CVM_1670146-3_F2.2d_dxf.zip](#)

English

[3D PDF](#)

English

By downloading the CAD file I accept and agree to the [Terms and Conditions](#) of use.

Datasheets & Catalog Pages

[MCON Interconnection System](#)

English

Product Specifications

[Application Specification](#)

English

[Application Specification](#)

English

[Application Specification](#)

English