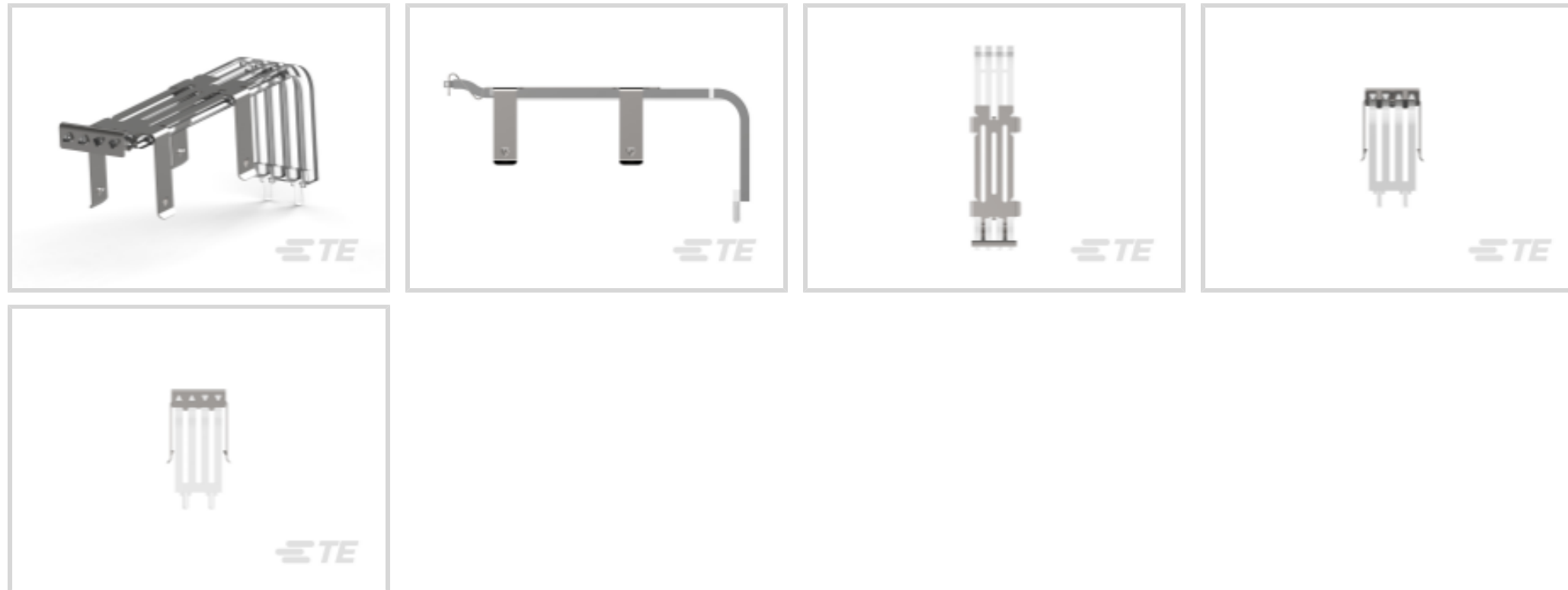




Connectors > Connector Accessories > Light Pipes



Form Factor: **SFP**

Number of Lightpipes: **4**

Lightpipe Product Type: **Lightpipe Kit**

Lightpipe Configuration: **All Four**

Operating Temperature Range: **-55 – 105 °C [-67 – 221 °F]**

Features

Product Type Features

Form Factor	SFP
Lightpipe Product Type	Lightpipe Kit

Configuration Features

Number of Lightpipes	4
Lightpipe Configuration	All Four

Usage Conditions

Operating Temperature Range	-55 – 105 °C[-67 – 221 °F]
-----------------------------	----------------------------

Packaging Features

Packaging Method	Tray
------------------	------

Product Compliance

[For compliance documentation, visit the product page on TE.com>](#)

EU RoHS Directive 2011/65/EU	Compliant
EU ELV Directive 2000/53/EC	Compliant
China RoHS 2 Directive MIIT Order No 32, 2016	No Restricted Materials Above Threshold

EU REACH Regulation (EC) No. 1907/2006

Current ECHA Candidate List: JUNE 2023 (235)

Candidate List Declared Against: JUNE 2023 (235)

Does not contain REACH SVHC

Halogen Content

Not Low Halogen - contains Br or Cl > 900 ppm.

Solder Process Capability

Not applicable for solder process capability

Product Compliance Disclaimer

This information is provided based on reasonable inquiry of our suppliers and represents our current actual knowledge based on the information they provided. This information is subject to change. The part numbers that TE has identified as EU RoHS compliant have a maximum concentration of 0.1% by weight in homogenous materials for lead, hexavalent chromium, mercury, PBB, PBDE, DBP, BBP, DEHP, DIBP, and 0.01% for cadmium, or qualify for an exemption to these limits as defined in the Annexes of Directive 2011/65/EU (RoHS2). Finished electrical and electronic equipment products will be CE marked as required by Directive 2011/65/EU. Components may not be CE marked. Additionally, the part numbers that TE has identified as EU ELV compliant have a maximum concentration of 0.1% by weight in homogenous materials for lead, hexavalent chromium, and mercury, and 0.01% for cadmium, or qualify for an exemption to these limits as defined in the Annexes of Directive 2000/53/EC (ELV). Regarding the REACH Regulation, the information TE provides on SVHC in articles for this part number is based on the latest European Chemicals Agency (ECHA) 'Guidance on requirements for substances in articles' posted at this URL: <https://echa.europa.eu/guidance-documents/guidance-on-reach>

Compatible Parts



TE Part # 1658628-2
PRESS FIT 2X1 REDUCED PROFILE



TE Part # 1367147-1
SFP COVER, UNPLATED

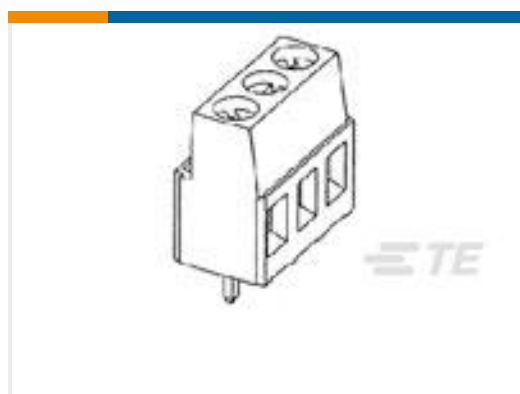


TE Part # 1367147-3
SFP COVER, UNPL, NO LOGO

Customers Also Bought



TE Part #2-406549-5
IMJ,1X1,PNL GRD,LED(G/G), SN



TE Part #796683-2
TERMI-BLOK PCB MOUNT 90 2P.

Documents

Product Drawings
SFP 2X1 LIGHT PIPE ASSY

English



CAD Files

3D PDF

3D

Customer View Model

[ENG_CVM_CVM_1658862-1_B.2d_dxf.zip](#)

English

Customer View Model

[ENG_CVM_CVM_1658862-1_B.3d_igs.zip](#)

English

Customer View Model

[ENG_CVM_CVM_1658862-1_B.3d_stp.zip](#)

English

By downloading the CAD file I accept and agree to the [Terms and Conditions](#) of use.

Product Specifications

Application Specification

English

Application Specification

English

Instruction Sheets

Instruction Sheet (U.S.)

English

Instruction Sheet (U.S.)

English