

1658689-1 ✓ ACTIVE



AMPLIMITE

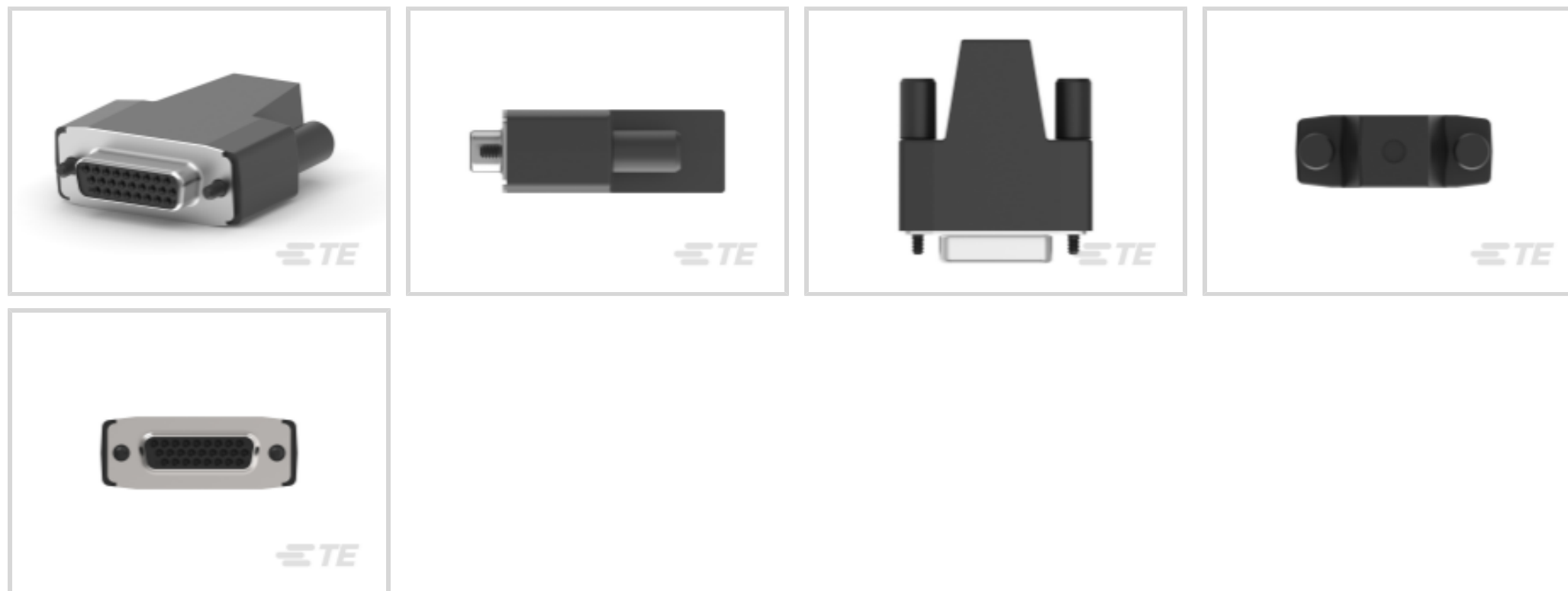
TE Internal #: 1658689-1

Crimp D-Sub Connectors, Receptacle, Cable-to-Cable, 26 Position,
Contact Size Size 22, 2 Connector Shell Size, Mating Retention,
Shielded

[View on TE.com >](#)

Connectors > D-Shaped Connectors > D-Sub Connectors > Crimp D-Sub Connectors >

D-Sub Crimp Recpt Signal 26 Posn, Socket Size 22, Shell Size 2



Connector & Housing Type: **Receptacle**

Connector System: **Cable-to-Cable**

Number of Positions: **26**

Contact Size: **Size 22**

Connector Shell Size: **2**

[All D-Sub Crimp Recpt Signal 26 Posn, Socket Size 22, Shell Size 2 \(5\)](#)

Features

Product Type Features

Shell Material Configuration	Full Metal Shell
Connector & Housing Type	Receptacle
Connector System	Cable-to-Cable
Connector Shell Size	2
Sealable	No
Connector & Contact Terminates To	Wire & Cable

Configuration Features

Number of Positions	26
---------------------	----

Body Features

Insert Material	Thermoplastic
Mating Retention Feature Material	Zinc Alloy
Shield Plating Material	Tin



Shield Material	Steel
Shell Plating Material	Tin
Primary Product Color	Black
Contact Features	
Contact Size	Size 22
Mechanical Attachment	
Mating Retention	With
Mating Retention Type	Jackscrew
Housing Features	
Shell Material	Steel
Housing Material	Nylon GF
Centerline (Pitch)	2.28 mm[.09 in]
Dimensions	
Compatible Insulation Diameter Range	4.83 – 9.53 mm
Usage Conditions	
Operating Temperature Range	-55 – 105 °C[-67 – 221 °F]
Operation/Application	
Shielded	Yes
Circuit Application	Signal
Industry Standards	
UL Flammability Rating	UL 94V-0
Packaging Features	
Packaging Quantity	1
Packaging Method	Package
Other	
D-Shaped Connectors Comment	Components shipped unassembled, each part bulk-packaged., Expansion Tool P/N 58241-4 is for use with Cable with a Maximum Outer Diameter of 9.02 [.355] ., There is a maximum Cable O.D. of 9.02 [.355] for Shielding Enclosure Expansion Tool 58241-4.



Product Compliance

[For compliance documentation, visit the product page on TE.com>](#)

EU RoHS Directive 2011/65/EU	Compliant
EU ELV Directive 2000/53/EC	Compliant
China RoHS 2 Directive MIIT Order No 32, 2016	No Restricted Materials Above Threshold
EU REACH Regulation (EC) No. 1907/2006	Current ECHA Candidate List: JUNE 2023 (235) Candidate List Declared Against: JUNE 2023 (235) Does not contain REACH SVHC
Halogen Content	Not Low Halogen - contains Br or Cl > 900 ppm.
Solder Process Capability	Not applicable for solder process capability

Product Compliance Disclaimer

This information is provided based on reasonable inquiry of our suppliers and represents our current actual knowledge based on the information they provided. This information is subject to change. The part numbers that TE has identified as EU RoHS compliant have a maximum concentration of 0.1% by weight in homogenous materials for lead, hexavalent chromium, mercury, PBB, PBDE, DBP, BBP, DEHP, DIBP, and 0.01% for cadmium, or qualify for an exemption to these limits as defined in the Annexes of Directive 2011/65/EU (RoHS2). Finished electrical and electronic equipment products will be CE marked as required by Directive 2011/65/EU. Components may not be CE marked. Additionally, the part numbers that TE has identified as EU ELV compliant have a maximum concentration of 0.1% by weight in homogenous materials for lead, hexavalent chromium, and mercury, and 0.01% for cadmium, or qualify for an exemption to these limits as defined in the Annexes of Directive 2000/53/EC (ELV). Regarding the REACH Regulation, the information TE provides on SVHC in articles for this part number is based on the latest European Chemicals Agency (ECHA) 'Guidance on requirements for substances in articles' posted at this URL: <https://echa.europa.eu/guidance-documents/guidance-on-reach>

Compatible Parts



TE Part # CAT-038-DCPPS222
D-Sub Crimp: Plug, Signal, 26 Posn,
Pin Size 22, Shell Size 2

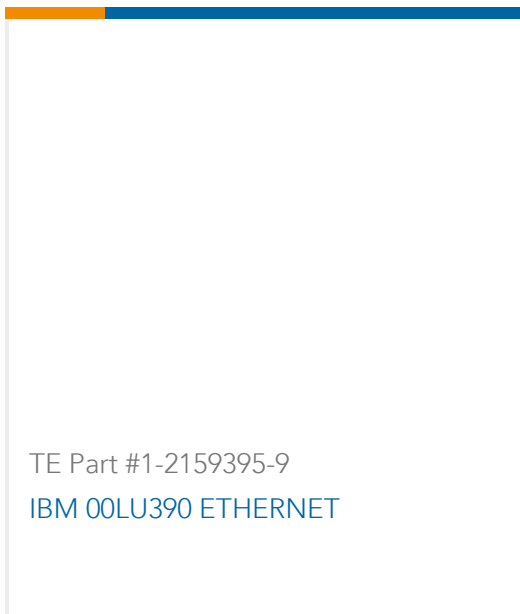
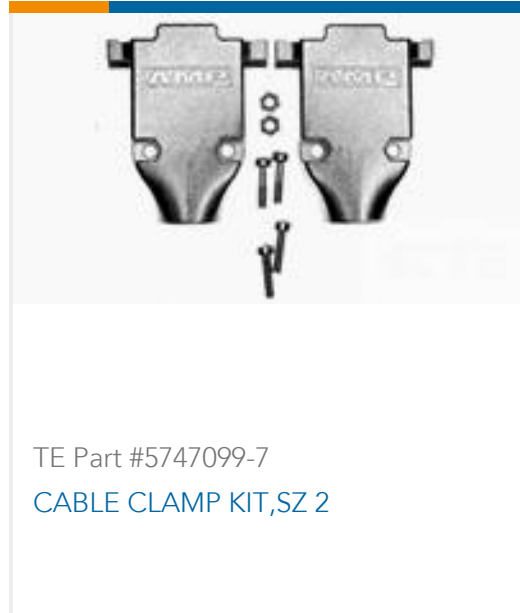


TE Part # CAT-038-DCRSS221
D-Sub Crimp Recpt Signal 15 Posn,
Socket Size 22, Shell Size 1



TE Part # 747934-1
15 SHIELD ENCLOSURE HDP

Customers Also Bought



Documents

Product Drawings

[KIT,HDP-22,ENCLSUR,RCPT,SIZE 2](#)

English

CAD Files

[3D PDF](#)

3D

Customer View Model

[ENG_CVM_CVM_1658689-1_A_c-1658689-1-a.2d_dxf.zip](#)

English

Customer View Model

[ENG_CVM_CVM_1658689-1_A_c-1658689-1-a.3d_igs.zip](#)

English

Customer View Model

[ENG_CVM_CVM_1658689-1_A_c-1658689-1-a.3d_stp.zip](#)

English

By downloading the CAD file I accept and agree to the [Terms and Conditions](#) of use.

Datasheets & Catalog Pages



[AMPLIMITE Subminiature D Connectors - Cable Connectors](#)

English

[AMPLIMITE Cable Connectors and Shielding Hardware Kits QRG](#)

English

[Product Specifications](#)

English

[Product Environmental Compliance](#)

[MD_1658689-1_10132017522_dmtec](#)

English

[MD_1658689-1_10132017522_dmtec](#)

English

[Instruction Sheets](#)

[Instruction Sheet \(U.S.\)](#)

English

[Instruction Sheet \(U.S.\)](#)

English

[Agency Approvals](#)

[UL Report](#)

English