

1658670-5 ✓ ACTIVE

AMPLIMITE

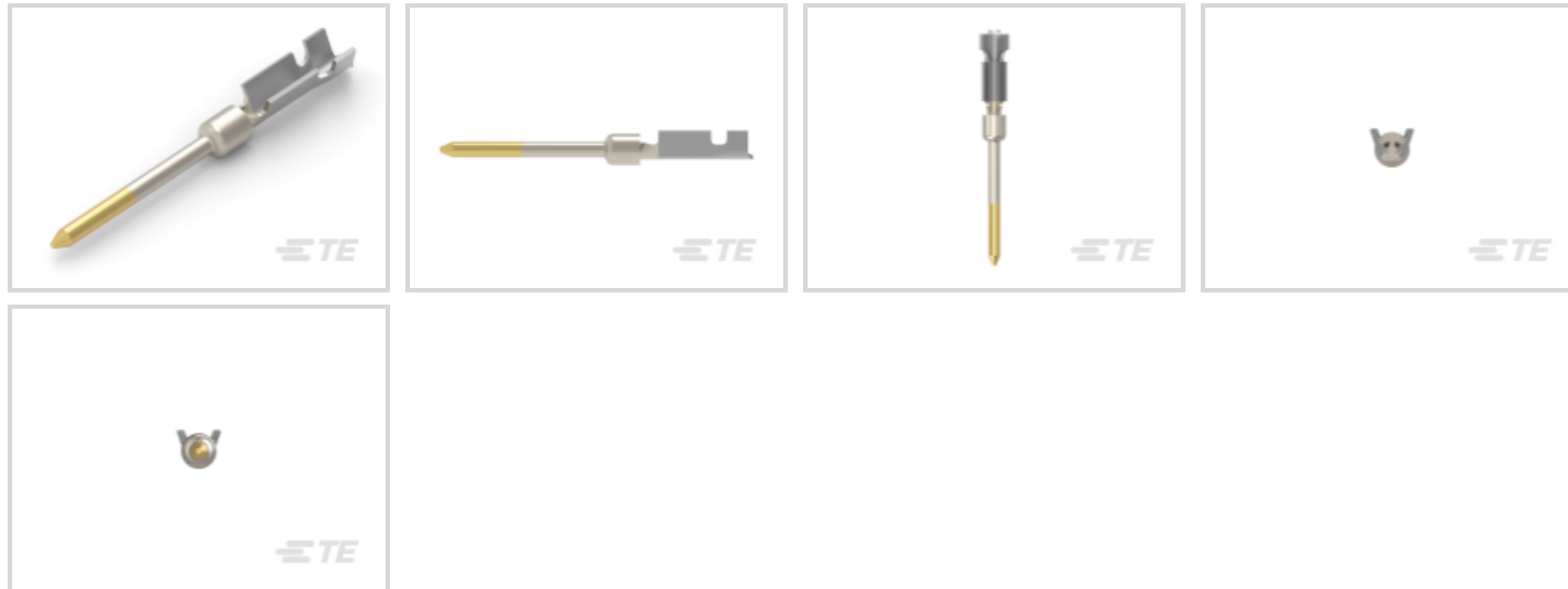
TE Internal #: 1658670-5

D-Sub Connector Contacts, Pin, Contact Size Size 22, Brass, Gold, Crimp, 28 – 22 AWG Wire Size, .08 – .4 mm² Wire Size, Wire & Cable, 1.9 A, Signal

[View on TE.com >](#)



Connectors > D-Shaped Connectors > D-Sub Connector Contacts > D-Sub Connector Contacts: Pin, Brass, Signal, Size 22



Contact Type: **Pin**

Contact Size: **Size 22**

Contact Base Material: **Brass**

Contact Mating Area Plating Material: **Gold**

Termination Method to Wire & Cable: **Crimp**

[All D-Sub Connector Contacts: Pin, Brass, Signal, Size 22 \(6\)](#)

Features

Product Type Features

Connector & Contact Terminates To	Wire & Cable
-----------------------------------	--------------

Contact Features

Mating Pin Diameter	.76 mm[.03 in]
	30 μin
Contact Underplating Material	Nickel
PCB Contact Termination Area Plating Material	Tin
Contact Type	Pin
Contact Size	Size 22
Contact Base Material	Brass
Contact Mating Area Plating Material	Gold
Contact Current Rating (Max)	1.9 A

Termination Features

--	--



Termination Method to Wire & Cable	Crimp
------------------------------------	-------

Mechanical Attachment

Contact Retention Type Within Housing	Snap-In
---------------------------------------	---------

Wire Insulation Support	With
-------------------------	------

Dimensions

	.04 in
--	--------

Compatible Insulation Diameter Range	.76 – 1.02 mm [.03 – .04 in]
--------------------------------------	------------------------------

Wire Size	.08 – .4 mm ²
-----------	--------------------------

Usage Conditions

Operating Temperature Range	-55 – 105 °C [-67 – 221 °F]
-----------------------------	-----------------------------

Operation/Application

Circuit Application	Signal
---------------------	--------

Identification Marking

Contact Color Code	None
--------------------	------

Packaging Features

Packaging Quantity	100
--------------------	-----

Packaging Method	Loose Piece
------------------	-------------

Other

Connector Contacts Comment	For Hand Tool
----------------------------	---------------

Product Compliance

[For compliance documentation, visit the product page on TE.com>](#)

EU RoHS Directive 2011/65/EU	Compliant
------------------------------	-----------

EU ELV Directive 2000/53/EC	Compliant
-----------------------------	-----------

China RoHS 2 Directive MIIT Order No 32, 2016	No Restricted Materials Above Threshold
---	---

EU REACH Regulation (EC) No. 1907/2006	Current ECHA Candidate List: JUNE 2023 (235) Candidate List Declared Against: JUNE 2023 (235) Does not contain REACH SVHC
--	---

Halogen Content	Low Halogen - Br, Cl, F, I < 900 ppm per homogenous material. Also BFR/CFR/PVC Free
-----------------	---

Solder Process Capability	Not applicable for solder process capability
---------------------------	--

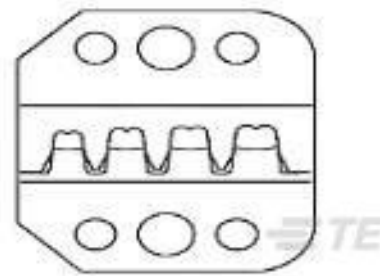
Product Compliance Disclaimer

This information is provided based on reasonable inquiry of our suppliers and represents our current actual knowledge based on the information they provided. This information is subject to change. The part numbers that TE has identified as EU RoHS compliant have a maximum concentration of 0.1% by weight in homogenous materials for lead, hexavalent chromium, mercury, PBB, PBDE, DBP, BBP, DEHP, DIBP, and 0.01% for cadmium, or qualify for an exemption to these limits as defined in the Annexes of Directive 2011/65/EU (RoHS2). Finished electrical and electronic equipment products will be CE marked as required by Directive 2011/65/EU. Components may not be CE marked. Additionally, the part numbers that TE has identified as EU ELV compliant have a maximum concentration of 0.1% by weight in homogenous materials for lead, hexavalent chromium, and mercury, and 0.01% for cadmium, or qualify for an exemption to these limits as defined in the Annexes of Directive 2000/53/EC (ELV). Regarding the REACH Regulation, the information TE provides on SVHC in articles for this part number is based on the latest European Chemicals Agency (ECHA) 'Guidance on requirements for substances in articles' posted at this URL: <https://echa.europa.eu/guidance-documents/guidance-on-reach>

Compatible Parts



TE Part # 90800-1
PROCRIMPER TOOL & DIE



TE Part # 90800-2
DIE ASSEMBLY



TE Part # 91520-1
CCII AMPLIMITE HDP-22 PIN SKT 28-22 ASSY



TE Part # 2151014-1
OCEAN_2.0_APPLICATOR-S-042F0480



TE Part # 2151014-2
OCEAN_2.0_APPLICATOR-S-042F0480



TE Part # 7-2266553-7
OC-042F0480-752-CRIMPTOOLINGKIT



TE Part # 2-2151014-1
OCEAN_2.0_APPLICATOR-S-042F0480



TE Part # 2-2151014-2
OCEAN_2.0_APPLICATOR-S-042F0480

Customers Also Bought



TE Part #1-5747150-3
09 RCPT SP/FMS SCRLK



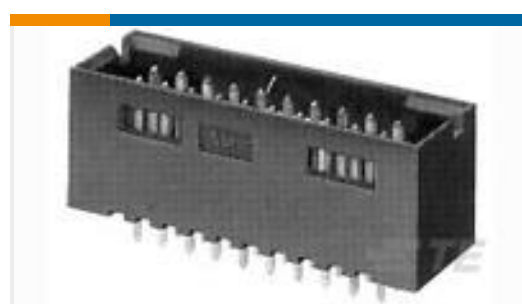
TE Part #5749621-2
26 50S CABLE PLUG CONN/COV KIT



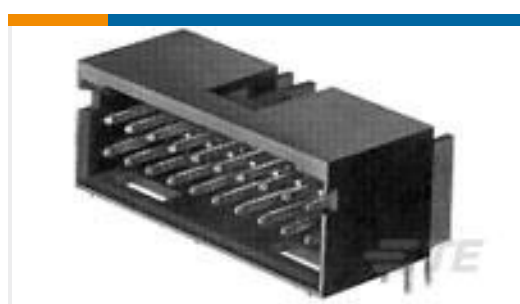
TE Part #1658540-5
CONT,PIN,PLATED,20DF,LP,#24-28



TE Part #NB-PTCO-165
Pt1000, 2.0x2.3, Class T, PTFC102T1A0



TE Part #5-103169-3
10 MODII HDR DRST SHRD .100CL



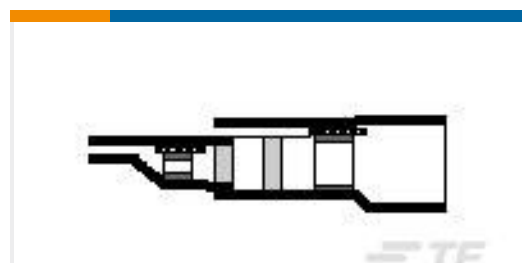
TE Part #5-102617-8
20 MODII HDR DRRA SHRD LF



TE Part #6-1879061-6
CPF 0402 4K7 0.1% 25PPM 5K RL



TE Part #8-1614882-4
CPF 0603 5R1 0.1% 25PPM 1K RL



TE Part #089827-000
B-040-26-N

Documents

CAD Files

3D PDF

3D

Customer View Model

[ENG_CVM_CVM_1658670-5_D.2d_dxf.zip](#)

English

Customer View Model

[ENG_CVM_CVM_1658670-5_D.3d_igs.zip](#)

English

Customer View Model

[ENG_CVM_CVM_1658670-5_D.3d_stp.zip](#)

English

By downloading the CAD file I accept and agree to the [Terms and Conditions](#) of use.

Product Specifications

Application Specification

English

Product Environmental Compliance

Product Compliance Document

English

Product Compliance Document

English

Instruction Sheets

Instruction Sheet (U.S.)

English

1658670-5

D-Sub Connector Contacts, Pin, Contact Size Size 22, Brass, Gold, Crimp, 28 – 22
AWG Wire Size, .08 – .4 mm² Wire Size, Wire & Cable, 1.9 A, Signal

