

1658670-2 ✓ ACTIVE



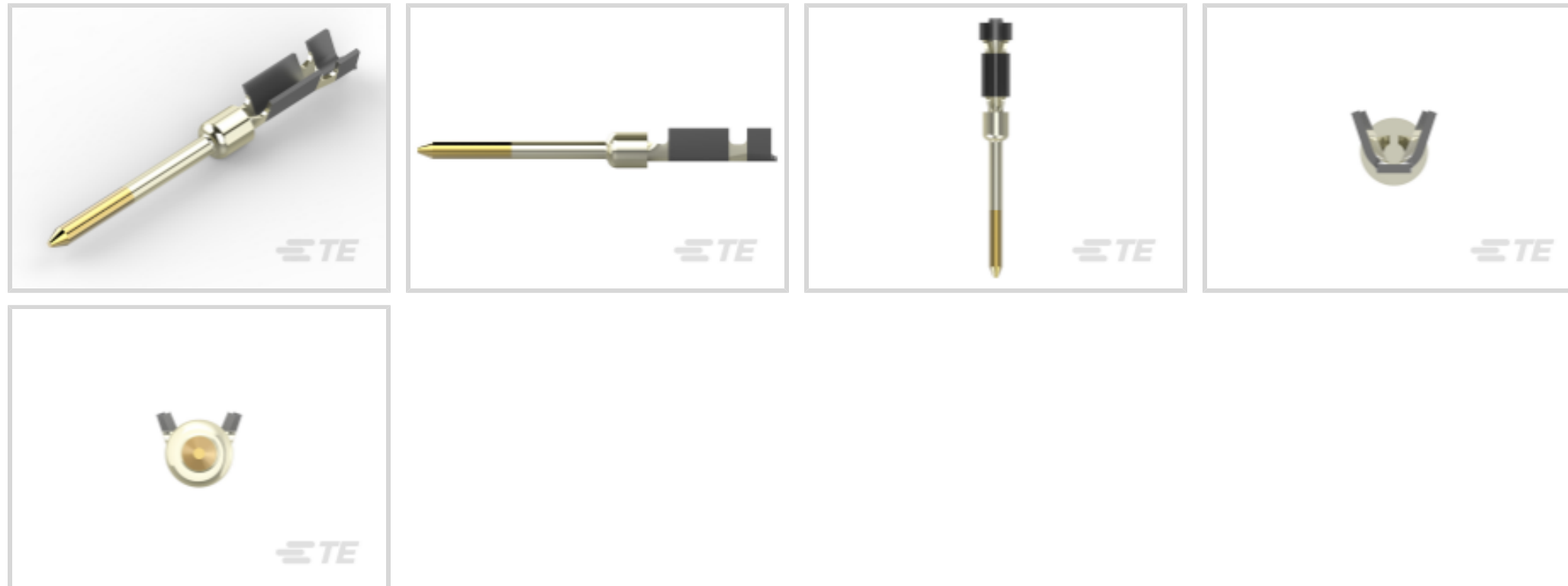
AMPLIMITE

TE Internal #: 1658670-2

D-Sub Connector Contacts, Pin, Contact Size Size 22, Brass, Gold, Crimp, 28 – 22 AWG Wire Size, .08 – .4 mm² Wire Size, Wire & Cable, 1.9 A, Signal

[View on TE.com >](#)

Connectors > D-Shaped Connectors > D-Sub Connector Contacts > D-Sub Connector Contacts: Pin, Brass, Signal, Size 22



Contact Type: **Pin**

Contact Size: **Size 22**

Contact Base Material: **Brass**

Contact Mating Area Plating Material: **Gold**

Termination Method to Wire & Cable: **Crimp**

[All D-Sub Connector Contacts: Pin, Brass, Signal, Size 22 \(6\)](#)

Features

Product Type Features

Connector & Contact Terminates To

Wire & Cable

Contact Features

Contact Color Bands

Green

Mating Pin Diameter

.76 mm[.03 in]

30 μin

Contact Underplating Material

Nickel

PCB Contact Termination Area Plating Material

Tin

Contact Type

Pin

Contact Size

Size 22

Contact Base Material

Brass

Contact Mating Area Plating Material

Gold

Contact Current Rating (Max)

1.9 A



Termination Features

| | |
|------------------------------------|-------|
| Termination Method to Wire & Cable | Crimp |
|------------------------------------|-------|

Mechanical Attachment

| | |
|---------------------------------------|---------|
| Contact Retention Type Within Housing | Snap-In |
| Wire Insulation Support | With |

Dimensions

| | |
|--------------------------------------|------------------------------|
| | .04 in |
| Compatible Insulation Diameter Range | .76 – 1.02 mm [.03 – .04 in] |
| Wire Size | .08 – .4 mm ² |

Usage Conditions

| | |
|-----------------------------|-----------------------------|
| Operating Temperature Range | -55 – 105 °C [-67 – 221 °F] |
|-----------------------------|-----------------------------|

Operation/Application

| | |
|---------------------|--------|
| Circuit Application | Signal |
|---------------------|--------|

Identification Marking

| | |
|--------------------|-------|
| Contact Color Code | Green |
|--------------------|-------|

Packaging Features

| | |
|--------------------|-------------|
| Packaging Quantity | 1000 |
| Packaging Method | Loose Piece |

Other

| | |
|----------------------------|---------------|
| Connector Contacts Comment | For Hand Tool |
|----------------------------|---------------|

Product Compliance

[For compliance documentation, visit the product page on TE.com>](#)

| | |
|---|---|
| EU RoHS Directive 2011/65/EU | Compliant |
| EU ELV Directive 2000/53/EC | Compliant |
| China RoHS 2 Directive MIIT Order No 32, 2016 | No Restricted Materials Above Threshold |
| EU REACH Regulation (EC) No. 1907/2006 | Current ECHA Candidate List: JUNE 2023 (235) Candidate List Declared Against: JUNE 2023 (235) Does not contain REACH SVHC |
| Halogen Content | Low Halogen - Br, Cl, F, I < 900 ppm per homogenous material. Also BFR/CFR/PVC Free |

Solder Process Capability

Not applicable for solder process capability

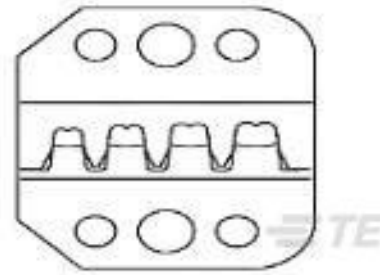
Product Compliance Disclaimer

This information is provided based on reasonable inquiry of our suppliers and represents our current actual knowledge based on the information they provided. This information is subject to change. The part numbers that TE has identified as EU RoHS compliant have a maximum concentration of 0.1% by weight in homogenous materials for lead, hexavalent chromium, mercury, PBB, PBDE, DBP, BBP, DEHP, DIBP, and 0.01% for cadmium, or qualify for an exemption to these limits as defined in the Annexes of Directive 2011/65/EU (RoHS2). Finished electrical and electronic equipment products will be CE marked as required by Directive 2011/65/EU. Components may not be CE marked. Additionally, the part numbers that TE has identified as EU ELV compliant have a maximum concentration of 0.1% by weight in homogenous materials for lead, hexavalent chromium, and mercury, and 0.01% for cadmium, or qualify for an exemption to these limits as defined in the Annexes of Directive 2000/53/EC (ELV). Regarding the REACH Regulation, the information TE provides on SVHC in articles for this part number is based on the latest European Chemicals Agency (ECHA) 'Guidance on requirements for substances in articles' posted at this URL: <https://echa.europa.eu/guidance-documents/guidance-on-reach>

Compatible Parts



TE Part # 1103426-2
MALE INSERT, CRIMP, 4-POS. 22DF CONTACTS



TE Part # 90800-2
DIE ASSEMBLY



TE Part # 91520-1
CCII AMPLIMITE HDP-22 PIN SKT 28-22 ASSY



TE Part # 90800-1
PROCRIPIPER TOOL & DIE

Customers Also Bought



TE Part #1658682-1
HDP-22,RCPT,SIZE 2,26 POSN



TE Part #1658673-1
HDP-22,PLUG,SIZE 4,62 POSN



TE Part #1658683-1
HDP-22,RCPT,SIZE 3,44 POSN



TE Part #1658675-1
HDP-22,OVRMLD,PLUG KIT,SIZE 1,



TE Part #1658685-1
HDP-22,RCPT,SIZE 5,78 POSN



TE Part #1658674-1
HDP-22,PLUG,SIZE 5,78 POSN



TE Part #1658672-1
HDP-22,PLUG,SIZE 3,44 POSN



TE Part #9-1614881-3
CPF 0603 3K3 0.1% 25PPM 5K RL



Documents

CAD Files

[3D PDF](#)

3D

Customer View Model

[ENG_CVM_CVM_1658670-2_D.2d_dxf.zip](#)

English

Customer View Model

[ENG_CVM_CVM_1658670-2_D.3d_igs.zip](#)

English

Customer View Model

[ENG_CVM_CVM_1658670-2_D.3d_stp.zip](#)

English

By downloading the CAD file I accept and agree to the [Terms and Conditions](#) of use.

Datasheets & Catalog Pages

[AMPLIMITE Subminiature D Connectors - Cable Connectors](#)

English

[Circular Hybrid Connectors](#)

English

[1-1773875-1_FORGE_DRAWER_CONNECTORS_CN](#)

[AMPLIMITE Cable Connectors and Shielding Hardware Kits QRG](#)

English

[3-1773463-3_FORGE_DRAWER_CONNECTORS](#)

English

Product Specifications

[Application Specification](#)

English

Product Environmental Compliance

[Product Compliance Document](#)

English

[Product Compliance Document](#)

English



[Instruction Sheets](#)

[Instruction Sheet \(U.S.\)](#)

English