

1658624-4 ✓ ACTIVE

AMP-LATCH | AMP-LATCH - NOVO

TE Internal #: 1658624-4

Ribbon Cable Connectors, Wire-to-Board, 20 Position, 2.54 mm [.1 in] Centerline, Vertical, Through Hole - Solder, 2 Row, Receptacle, AMP-LATCH - NOVO

[View on TE.com >](#)



Connectors > PCB Connectors > Wire-to-Board Connectors > FFC, FPC & Ribbon Connectors > Ribbon Cable Connectors



Connector System: **Wire-to-Board**

Number of Positions: **20**

Centerline (Pitch): **2.54 mm [.1 in]**

PCB Mount Retention: **Without**

PCB Mount Orientation: **Vertical**

Features

Product Type Features

Ribbon Cable Connector Header Type	Pin Header
Connector Product Type	Connector Assembly
Connector System	Wire-to-Board
Connector & Housing Type	Receptacle
Connector & Contact Terminates To	Wire & Cable

Configuration Features

Number of Positions	20
PCB Mount Orientation	Vertical
Number of Rows	2

Electrical Characteristics

Insulation Resistance	5000 MΩ
Operating Voltage	250 VAC

Body Features

Daisy Chain	Without
-------------	---------



Primary Product Color	Black
Connector Profile	Low

Contact Features

Mating Square Post Dimension	.64 mm[.025 in]
Mating Pin Diameter	.64 mm[.025 in]
Contact Type	Socket
Wire Contact Termination Area Plating Thickness	1.27 μ m[50 μ in]
Wire Contact Termination Area Plating Material	Tin
Contact Mating Area Plating Material Thickness	.76 μ m[29.92 μ in]
Contact Mating Area Plating Material	Gold, Gold Flash over Palladium Nickel
Contact Shape & Form	Tuning Fork
Contact Underplating Material	Nickel
Contact Base Material	Phosphor Bronze
Contact Current Rating (Max)	1 A

Termination Features

Termination Method to Wire & Cable	Insulation Displacement (IDC)
Termination Method to Printed Circuit Board	Through Hole - Solder

Mechanical Attachment

Mating Alignment	With
PCB Mount Alignment	Without
Panel Mount Feature	Without
PCB Mount Retention	Without
Mating Alignment Type	Polarization
Mating Retention	Without
Connector Mounting Type	Cable Mount (Free-Hanging)

Housing Features

Housing Material	Thermoplastic
Centerline (Pitch)	2.54 mm[.1 in]

Dimensions

Connector Length	29.97 mm[1.18 in]
Connector Height	15.16 mm[.597 in]
Connector Width	7.49 mm[.295 in]



Wire Size	.08 – .15 mm ²
Compatible Insulation Diameter Range	.79 – .94 mm [.031 – .037 in]
Row-to-Row Spacing	2.54 mm [.1 in]

Usage Conditions

Operating Temperature Range	-65 – 105 °C [-85 – 221 °F]
-----------------------------	-----------------------------

Operation/Application

Circuit Application	Signal
---------------------	--------

Industry Standards

UL Rating	Recognized
Agency/Standard	CSA, UL
Approved Standards	CSA LR7189, UL E28476
UL Flammability Rating	UL 94V-0

Packaging Features

Packaging Quantity	50
Packaging Method	Box & Tube, Tube

Product Compliance

[For compliance documentation, visit the product page on TE.com>](#)

EU RoHS Directive 2011/65/EU	Compliant
EU ELV Directive 2000/53/EC	Compliant
China RoHS 2 Directive MIIT Order No 32, 2016	No Restricted Materials Above Threshold
EU REACH Regulation (EC) No. 1907/2006	Current ECHA Candidate List: JUNE 2023 (235) Candidate List Declared Against: JUNE 2023 (235) Does not contain REACH SVHC
Halogen Content	Not Low Halogen - contains Br or Cl > 900 ppm.
Solder Process Capability	Not applicable for solder process capability

Product Compliance Disclaimer

This information is provided based on reasonable inquiry of our suppliers and represents our current actual knowledge based on the information they provided. This information is subject to change. The part numbers that TE has identified as EU RoHS compliant have a maximum concentration of 0.1% by weight in homogenous materials for lead, hexavalent chromium, mercury, PBB, PBDE, DBP, BBP, DEHP, DIBP, and 0.01% for cadmium, or qualify for an exemption to these limits as defined in the Annexes of Directive 2011/65/EU (RoHS2). Finished electrical and electronic equipment products will be CE marked as required by Directive 2011/65/EU. Components may not be CE marked. Additionally, the part numbers that TE has identified as EU ELV compliant have a maximum concentration of 0.1% by weight in homogenous

materials for lead, hexavalent chromium, and mercury, and 0.01% for cadmium, or qualify for an exemption to these limits as defined in the Annexes of Directive 2000/53/EC (ELV). Regarding the REACH Regulation, the information TE provides on SVHC in articles for this part number is based on the latest European Chemicals Agency (ECHA) 'Guidance on requirements for substances in articles' posted at this URL: <https://echa.europa.eu/guidance-documents/guidance-on-reach>

Compatible Parts



TE Part # CAT-AM74-UN384H
AMP-LATCH UNIVERSAL HEADERS



TE Part # 499252-2
020 STRAIN RELIEF A-L RCPT



TE Part # 5088450-5
PULL LOOP, CUT LENGTH .88 IN



TE Part # 5103310-5
A/L LOW PRO HDR 20P RA BLACK



TE Part # 5103311-5
A/L LOW PRO HDR 20P RA BLACK



TE Part # 5103309-5
A/L LOW PRO HDR 20P VERT BLACK



TE Part # 5103308-5
A/L LOW PRO HDR 20P VERT BLACK



TE Part # 1-111446-8
020 UNIV I/O 30DP NO EARS



TE Part # 1-111504-7
020 UNIV I/O 30DP NO EARS LTCH



TE Part # 5104338-4
A/L LOW PRO HDR 20P VERT HT



TE Part # 5111448-4
020 UNIV I/O 30DP SLOT



TE Part # 1-111494-8
020 UNIV I/O 30DP SLOT LTCH



TE Part # 5104340-4
A/L LOW PRO HDR 20P RA HT GRAY



TE Part # 768340-1
UNIV HAND TOOL KIT AMPLATCH

Also in the Series | **AMP-LATCH - NOVO**



Ribbon Cable Connectors(46)

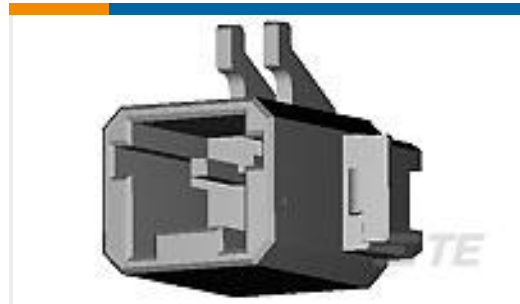
Customers Also Bought



TE Part #1-796329-1
23-57 CPC PSTD SKT RECPT LF



TE Part #2065883-1
Zd Plus, 3 pair receptacle ass



TE Part #2106091-1
2 pos Inverted Thru Board SMT Header



TE Part #5-1393144-1
K10P-11DT5-24=K10/K20



TE Part #103308-6
026 LOPRO HDR SP 15DP



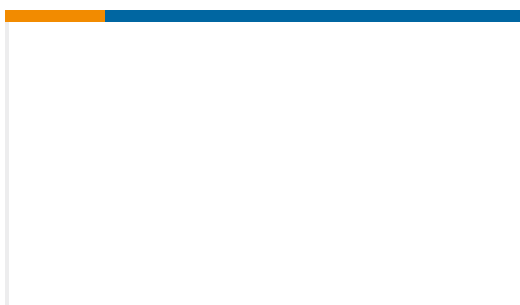
TE Part #2-1761679-3
IDC LOW PRO HDR 10P VERT BLUE



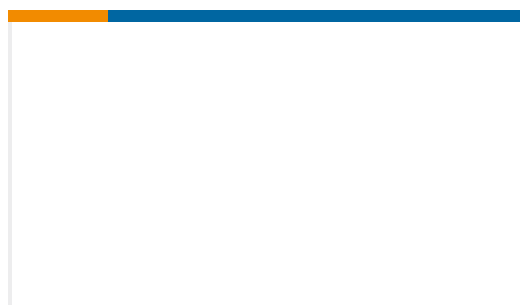
TE Part #8-34130-1
SPLC,SOLIS PARA 22-16C,22-18M



TE Part #NB19234001
RNF-100-1/8-CL-SP



TE Part #F31906-000
1330-3300-06



TE Part #TRA2458M3CB-SS1
CLIENT M2M,PH,2.4-2.5GHz

Documents

Product Drawings

20 NOVO DUAL 30DP, LEAD FREE

English

CAD Files

Customer View Model

ENG_CVM_CVM_1658624-4_D.2d_dxf.zip

English

3D PDF



3D

Customer View Model

[ENG_CVM_CVM_1658624-4_D.3d_igs.zip](#)

English

Customer View Model

[ENG_CVM_CVM_1658624-4_D.3d_stp.zip](#)

English

By downloading the CAD file I accept and agree to the [Terms and Conditions](#) of use.

Datasheets & Catalog Pages

[Ribbon Cable Interconnect Solutions](#)

English

Product Specifications

[Application Specification](#)

English

Instruction Sheets

[Instruction Sheet \(U.S.\)](#)

English

Agency Approvals

[Agency Approval Document](#)

English