

165167 ✓ ACTIVE

PLASTI-GRIP

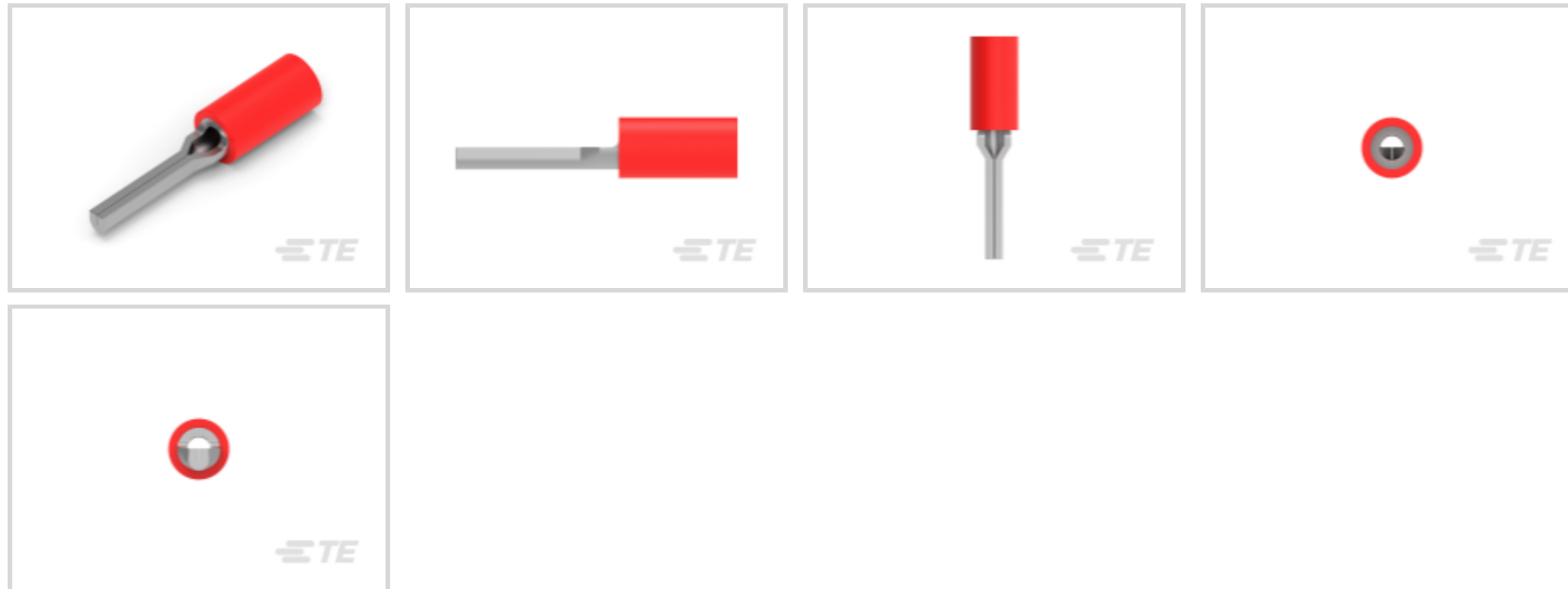
TE Internal #: 165167

Crimp Wire Pins, Tabs & Ferrules, Wire Pin, Mating Pin Diameter 1.78 mm [.07 in], 22 – 16 AWG Wire Size, .3 – 1.42 mm<sup>2</sup> Wire Size, PLASTI-GRIP

[View on TE.com >](#)



Terminals & Splices > Crimp Wire Pins, Tabs & Ferrules



Crimp Wire Terminal Type: **Wire Pin**

Mating Pin Diameter: **1.78 mm [.07 in]**

Compatible Insulation Diameter Range: **2.67 – 3.36 mm, 3.71 mm [.105 – .14 in, .146 in]**

Wire Size: **.3 – 1.42 mm<sup>2</sup>**

### Features

#### Product Type Features

Sealable	No
Compatible With Discrete Wire Type	Stranded
Wire Insulation Support Retention Type	Insulation Support

#### Configuration Features

Compatible With Wire & Cable Type	Discrete Wire
-----------------------------------	---------------

#### Body Features

Sleeve Material	PVC
Insulation Material	PVC
Primary Product Color	Red

#### Contact Features

Contact Mating Area Length	9.9 mm[.39 in]
Contact Fabrication	Stamped & Formed
Crimp Wire Terminal Type	Wire Pin
Mating Pin Diameter	1.78 mm[.07 in]



Barrel Type	Closed
Terminal Plating Material	Tin
Contact Shape & Form	Round
Terminal Orientation	Straight

### Mechanical Attachment

Wire Insulation Support	Without
-------------------------	---------

### Dimensions

DIN Wire Size	.5 – 1 mm <sup>2</sup>
Compatible Insulation Diameter Range	2.67 – 3.36 mm, 3.71 mm [.105 – .14 in][.146 in]
Wire Size	509 – 3260 CMA
Barrel Inside Diameter	3.7 mm [.145 in]
Terminal Material Thickness	.79 mm [.031 in]
Overall Product Length	23.82 mm [.938 in]

### Usage Conditions

Insulation Option	Partially Insulated
Operating Temperature Range	105 °C [221 °F]

### Packaging Features

Packaging Quantity	1000
Packaging Method	Loose Piece

### Product Compliance

[For compliance documentation, visit the product page on TE.com>](#)

EU RoHS Directive 2011/65/EU	Compliant
EU ELV Directive 2000/53/EC	Compliant
China RoHS 2 Directive MIIT Order No 32, 2016	No Restricted Materials Above Threshold
EU REACH Regulation (EC) No. 1907/2006	Current ECHA Candidate List: JUNE 2023 (235) Candidate List Declared Against: JUNE 2023 (235) Does not contain REACH SVHC
Halogen Content	Not Low Halogen - contains Br or Cl > 900 ppm.
Solder Process Capability	Not applicable for solder process capability

## Product Compliance Disclaimer

This information is provided based on reasonable inquiry of our suppliers and represents our current actual knowledge based on the information they provided. This information is subject to change. The part numbers that TE has identified as EU RoHS compliant have a maximum concentration of 0.1% by weight in homogenous materials for lead, hexavalent chromium, mercury, PBB, PBDE, DBP, BBP, DEHP, DIBP, and 0.01% for cadmium, or qualify for an exemption to these limits as defined in the Annexes of Directive 2011/65/EU (RoHS2). Finished electrical and electronic equipment products will be CE marked as required by Directive 2011/65/EU. Components may not be CE marked. Additionally, the part numbers that TE has identified as EU ELV compliant have a maximum concentration of 0.1% by weight in homogenous materials for lead, hexavalent chromium, and mercury, and 0.01% for cadmium, or qualify for an exemption to these limits as defined in the Annexes of Directive 2000/53/EC (ELV). Regarding the REACH Regulation, the information TE provides on SVHC in articles for this part number is based on the latest European Chemicals Agency (ECHA) 'Guidance on requirements for substances in articles' posted at this URL: <https://echa.europa.eu/guidance-documents/guidance-on-reach>

## Compatible Parts



## Also in the Series | PLASTI-GRIP



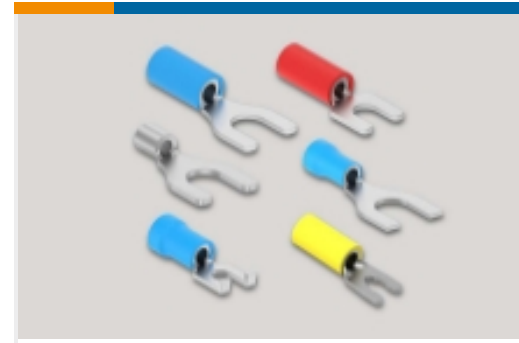
Compression Connectors(3)



Crimp Wire Pins, Tabs & Ferrules(25)



Ring Terminals(333)



Spade Terminals(198)



Splices(50)

## Customers Also Bought



TE Part #5102322-3  
A/L UNIV HDR 16P RA LG LAT



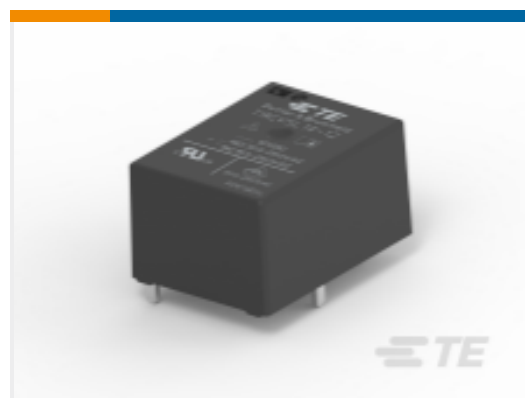
TE Part #487923-4  
FFC,SLDR TAB CONTACT,.050" CNT



TE Part #2-35106-1  
TERMINAL,PIDG R 16-14HD 8



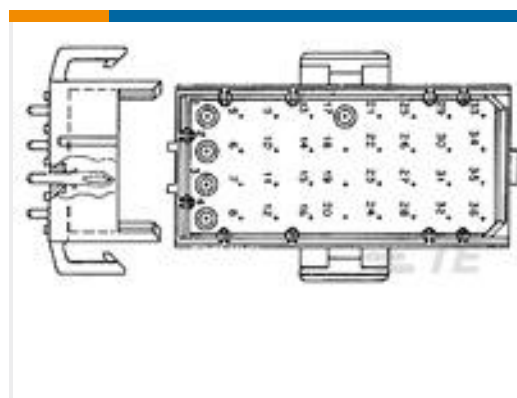
TE Part #5747238-4  
25 MSFL PLUG RA 318 (IN,FM)



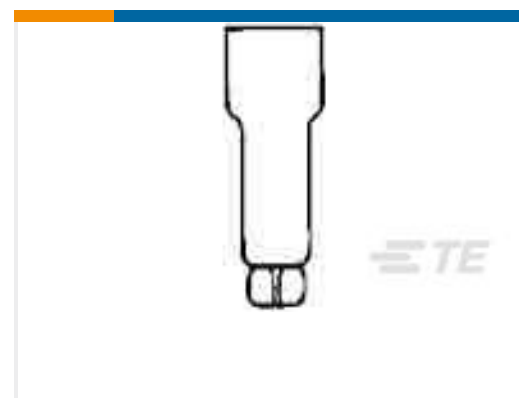
TE Part #1558667-3  
T9GS2L14-12



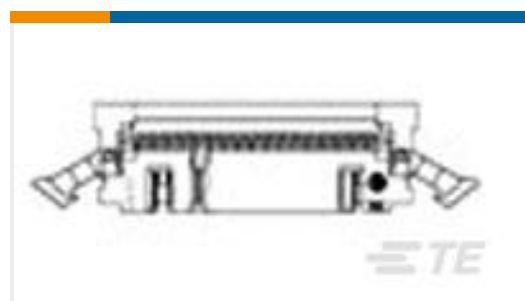
TE Part #6116173-4  
INV MJ,1X1,PNL GRD,SHLD,LED (Y/G)



TE Part #640497-1  
02P MR HDR ASSY



TE Part #55843-1  
SPLICE,CE 22-14



TE Part #1-111504-5  
014 UNIV I/O 30DP NO EARS LTCH



## Documents

### Product Drawings

#### PG WIRE PIN 22-16

English

---

### CAD Files

#### 3D PDF

3D

#### Customer View Model

[ENG\\_CVM\\_CVM\\_165167\\_L.2d\\_dxf.zip](#)

English

#### Customer View Model

[ENG\\_CVM\\_CVM\\_165167\\_L.3d\\_igs.zip](#)

English

#### Customer View Model

[ENG\\_CVM\\_CVM\\_165167\\_L.3d\\_stp.zip](#)

English

#### 3D PDF

English

#### Customer View Model

[ENG\\_CVM\\_165167\\_B.3d\\_igs.zip](#)

English

#### Customer View Model

[ENG\\_CVM\\_165167\\_B.3d\\_stp.zip](#)

English

#### Customer View Model

[ENG\\_CVM\\_165167\\_B.2d\\_dxf.zip](#)

English

By downloading the CAD file I accept and agree to the [Terms and Conditions](#) of use.

---

### Datasheets & Catalog Pages

#### PLASTI GRIP\_QRG

English

#### Standard Terminals & Splices

English

---

### Product Specifications

#### Application Specification

English

---

### Product Environmental Compliance

#### TE Material Declaration

English

---

### Instruction Sheets

#### Instruction Sheet (U.S.)



English

---

[Agency Approvals](#)

[UL Report](#)

English