

### Product Compliance

[For compliance documentation, visit the product page on TE.com>](#)

EU RoHS Directive 2011/65/EU	Compliant
EU ELV Directive 2000/53/EC	Compliant
China RoHS 2 Directive MIIT Order No 32, 2016	No Restricted Materials Above Threshold
EU REACH Regulation (EC) No. 1907/2006	Current ECHA Candidate List: JUNE 2023 (235) Candidate List Declared Against: JUNE 2023 (235) Does not contain REACH SVHC
Halogen Content	Not Low Halogen - contains Br or Cl > 900 ppm.
Solder Process Capability	Wave solder capable to 265°C

#### Product Compliance Disclaimer

This information is provided based on reasonable inquiry of our suppliers and represents our current actual knowledge based on the information they provided. This information is subject to change. The part numbers that TE has identified as EU RoHS compliant have a maximum concentration of 0.1% by weight in homogenous materials for lead, hexavalent chromium, mercury, PBB, PBDE, DBP, BBP, DEHP, DIBP, and 0.01% for cadmium, or qualify for an exemption to these limits as defined in the Annexes of Directive 2011/65/EU (RoHS2). Finished electrical and electronic equipment products will be CE marked as required by Directive 2011/65/EU. Components may not be CE marked. Additionally, the part numbers that TE has identified as EU ELV compliant have a maximum concentration of 0.1% by weight in homogenous materials for lead, hexavalent chromium, and mercury, and 0.01% for cadmium, or qualify for an exemption to these limits as defined in the Annexes of Directive 2000/53/EC (ELV). Regarding the REACH Regulation, the information TE provides on SVHC in articles for this part number is based on the latest European Chemicals Agency (ECHA) 'Guidance on requirements for substances in articles' posted at this URL: <https://echa.europa.eu/guidance-documents/guidance-on-reach>

### Compatible Parts



TE Part # 4-1419144-7  
OJE-SH-112HMF,F095



TE Part # 1-1649222-2  
OJE-SH-112DM,000T0



TE Part # 1-1721539-7  
OJE-SS-112HM2.000T0



TE Part # 1649222-6  
OJE-SS-112DM,0A000




TE Part # 1721261-7  
OJE-SS-112LMH2,000T0



TE Part # 2071369-1  
OJE-SH-112DM,00E0W



TE Part # 1649222-4  
OJE-SH-112DM,801



TE Part # 2071385-2  
OJE-SH-112HM2F,000



TE Part # 1721923-4  
OJE-SS-112HMF,00D00

### Customers Also Bought



TE Part #1-1393212-0  
T92S7D12-24



TE Part #177914-2  
AMP POWER DBL LOCK REC (S)



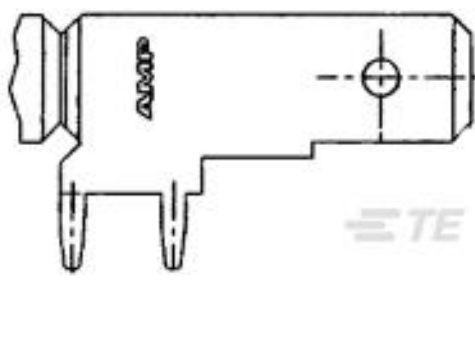
TE Part #2-1419130-4  
TSC-112L3H,000



TE Part #1217566-1  
250 FASTON,PCB TAB,TCBR



TE Part #1393367-1  
V23540X7000Y 11=GET-FEM TERM S



TE Part #1217754-1  
250 FASTON,FLAG,PCB TAB,TNBR



TE Part #2238136-2  
RECEPTACLE, POSITIVE-LOCK, RAST 6.35



TE Part #9-1440003-3  
PCH-112D2H,000

### Documents



### Product Drawings

[OJE-SS-112DM,801](#)

English

---

### CAD Files

[3D PDF](#)

3D

Customer View Model

[ENG\\_CVM\\_CVM\\_1649222-1\\_C7.2d\\_dxf.zip](#)

English

Customer View Model

[ENG\\_CVM\\_CVM\\_1649222-1\\_C7.3d\\_igs.zip](#)

English

Customer View Model

[ENG\\_CVM\\_CVM\\_1649222-1\\_C7.3d\\_stp.zip](#)

English

By downloading the CAD file I accept and agree to the [Terms and Conditions](#) of use.

---

### Datasheets & Catalog Pages

[OJ\\_OJE Series Relay Data Sheet English](#)

English

---

### Product Specifications

[Definitions General Purpose Relays](#)

English

---

### Product Environmental Compliance

[Product Compliance](#)

English

[Product Compliance](#)

English