

1648212-1 ✓ ACTIVE

ELCON

TE Internal #: 1648212-1

Rectangular Connector Housings, Cable-to-Cable, PBT,  
Receptacle, Socket, Sealable, Wire & Cable, Power & Signal, Panel  
Mount, -40 – 105 °C

[View on TE.com >](#)



Connectors > Rectangular Connectors > Rectangular Connector Housings



Connector System: **Cable-to-Cable**

Housing Material: **PBT**

Connector & Housing Type: **Receptacle**

Contact Type: **Socket**

Sealable: **Yes**

## Features

### Product Type Features

Connector System	Cable-to-Cable
Connector & Housing Type	Receptacle
Sealable	Yes
Connector & Contact Terminates To	Wire & Cable

### Contact Features

Contact Type	Socket
--------------	--------

### Mechanical Attachment

Connector Mounting Type	Panel Mount
-------------------------	-------------

### Housing Features

Housing Material	PBT
------------------	-----

### Usage Conditions

Operating Temperature Range	-40 – 105 °C
-----------------------------	--------------

### Operation/Application

Circuit Application	Power & Signal
---------------------	----------------

## Product Compliance

[For compliance documentation, visit the product page on TE.com>](#)



EU RoHS Directive 2011/65/EU	Compliant
EU ELV Directive 2000/53/EC	Compliant
China RoHS 2 Directive MIIT Order No 32, 2016	No Restricted Materials Above Threshold
EU REACH Regulation (EC) No. 1907/2006	Current ECHA Candidate List: JUNE 2023 (235) Candidate List Declared Against: JUNE 2023 (235) Does not contain REACH SVHC
Halogen Content	Not Low Halogen - contains Br or Cl > 900 ppm.
Solder Process Capability	Not applicable for solder process capability

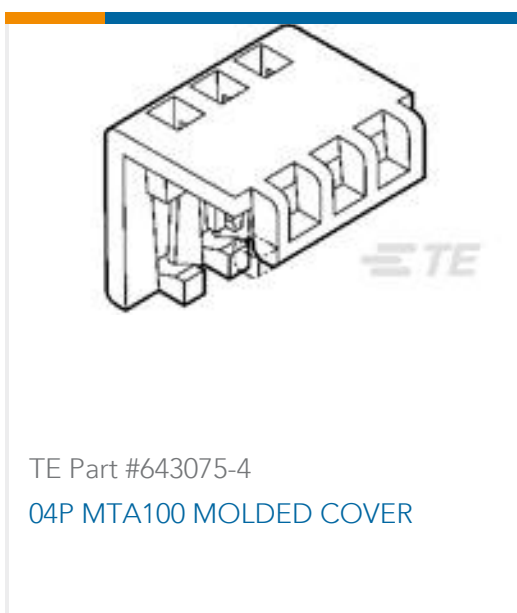
Product Compliance Disclaimer

This information is provided based on reasonable inquiry of our suppliers and represents our current actual knowledge based on the information they provided. This information is subject to change. The part numbers that TE has identified as EU RoHS compliant have a maximum concentration of 0.1% by weight in homogenous materials for lead, hexavalent chromium, mercury, PBB, PBDE, DBP, BBP, DEHP, DIBP, and 0.01% for cadmium, or qualify for an exemption to these limits as defined in the Annexes of Directive 2011/65/EU (RoHS2). Finished electrical and electronic equipment products will be CE marked as required by Directive 2011/65/EU. Components may not be CE marked. Additionally, the part numbers that TE has identified as EU ELV compliant have a maximum concentration of 0.1% by weight in homogenous materials for lead, hexavalent chromium, and mercury, and 0.01% for cadmium, or qualify for an exemption to these limits as defined in the Annexes of Directive 2000/53/EC (ELV). Regarding the REACH Regulation, the information TE provides on SVHC in articles for this part number is based on the latest European Chemicals Agency (ECHA) 'Guidance on requirements for substances in articles' posted at this URL: <https://echa.europa.eu/guidance-documents/guidance-on-reach>

### Compatible Parts



### Customers Also Bought





TE Part #1-1469492-1  
MULTIGIG RT 9MM GUIDE/ESD 0 DEG



TE Part #66741-2  
TYPE XII FEMALE CONT (L.P.)



TE Part #6450843-6  
MBXLE R/A HEADER 7ACP



TE Part #1648325-1  
702-92-01109=CONTACT,SKT,#20



TE Part #926681-1  
UNIV.M-N-L.CAP HSG.



TE Part #1423675-7  
W57-XB7A4A10-10=CKTBKR,THERM,P

## Documents

### Product Drawings

[424-0001-01100](#)

English

### CAD Files

[3D PDF](#)

3D

Customer View Model

[ENG\\_CVM\\_CVM\\_1648212-1\\_A.2d\\_dxf.zip](#)

English

Customer View Model

[ENG\\_CVM\\_CVM\\_1648212-1\\_A.3d\\_igs.zip](#)

English

Customer View Model

[ENG\\_CVM\\_CVM\\_1648212-1\\_A.3d\\_stp.zip](#)

English

By downloading the CAD file I accept and agree to the [Terms and Conditions](#) of use.

### Datasheets & Catalog Pages

[POWER\\_CONNECTORS\\_CATALOG\\_SEC02\\_CABLE\\_MOUNTED](#)

English

[AMP & ELCON Power Connector Layout Forms Datasheet 6-1773444-7](#)

English

### Product Specifications

[Product Specification](#)

English

1648212-1

Rectangular Connector Housings, Cable-to-Cable, PBT, Receptacle, Socket, Sealable,  
Wire & Cable, Power & Signal, Panel Mount, -40 – 105 °C

