

163302-6 ✓ ACTIVE

MATE-N-LOK | Commercial MATE-N-LOK

TE Internal #: 163302-6

Power Contacts, Contact, Tin, 17 – 13 AWG Wire Size, 1 – 2.5 mm<sup>2</sup>

Wire Size, Wire & Cable, Crimp, Power, Socket, Brass, Tin-Lead,

Commercial MATE-N-LOK

[View on TE.com >](#)



Connectors > Power Connectors > Power Contacts



Power Contact Type: **Contact**

Contact Mating Area Plating Material: **Tin**

Wire Size: **1 – 2.5 mm<sup>2</sup>**

Connector & Contact Terminates To: **Wire & Cable**

## Features

### Product Type Features

Compatible With Discrete Wire Type	Stranded
Power Contact Type	Contact
Connector & Contact Terminates To	Wire & Cable

### Contact Features

Contact Mating Area Plating Material	Tin
Contact Type	Socket
Contact Retention Within Housing	With
Mating Pin Diameter	2.1 mm[.082 in]
Contact Base Material	Brass
Wire Contact Termination Area Plating Material	Tin-Lead
Wire Contact Termination Area Plating Material Finish	Bright
Contact Orientation	Straight

### Termination Features

Termination Method to Wire & Cable	Crimp
------------------------------------	-------



### Mechanical Attachment

Contact Retention Type Within Housing	Locking Lance
Wire Insulation Support	Without

### Dimensions

Wire Size	1 – 2.5 mm <sup>2</sup>
Compatible Insulation Diameter Range	2.5 – 3.8 mm [.098 – .15 in]

### Operation/Application

Circuit Application	Power
---------------------	-------

### Packaging Features

Packaging Quantity	3500
Packaging Method	Reel

### Product Compliance

[For compliance documentation, visit the product page on TE.com>](#)

EU RoHS Directive 2011/65/EU	Compliant
EU ELV Directive 2000/53/EC	Compliant
China RoHS 2 Directive MIIT Order No 32, 2016	No Restricted Materials Above Threshold
EU REACH Regulation (EC) No. 1907/2006	Current ECHA Candidate List: JUNE 2023 (235) Candidate List Declared Against: JUNE 2023 (235) Does not contain REACH SVHC
Halogen Content	Low Halogen - Br, Cl, F, I < 900 ppm per homogenous material. Also BFR/CFR/PVC Free
Solder Process Capability	Not applicable for solder process capability

#### Product Compliance Disclaimer

This information is provided based on reasonable inquiry of our suppliers and represents our current actual knowledge based on the information they provided. This information is subject to change. The part numbers that TE has identified as EU RoHS compliant have a maximum concentration of 0.1% by weight in homogenous materials for lead, hexavalent chromium, mercury, PBB, PBDE, DBP, BBP, DEHP, DIBP, and 0.01% for cadmium, or qualify for an exemption to these limits as defined in the Annexes of Directive 2011/65/EU (RoHS2). Finished electrical and electronic equipment products will be CE marked as required by Directive 2011/65/EU. Components may not be CE marked. Additionally, the part numbers that TE has identified as EU ELV compliant have a maximum concentration of 0.1% by weight in homogenous materials for lead, hexavalent chromium, and mercury, and 0.01% for cadmium, or qualify for an exemption to these limits as defined in the Annexes of Directive 2000/53/EC (ELV). Regarding the REACH Regulation, the information TE provides on SVHC in articles for this part number is based on the latest European Chemicals Agency (ECHA) 'Guidance on requirements for substances in articles' posted at this URL: <https://echa.europa.eu/guidance-documents/guidance-on-reach>



## Compatible Parts



TE Part # 91504-1  
CCII CMNL MNL PIN SKT 20-14 ASSY



TE Part # 455830-1  
INSERTION TOOL



TE Part # 1-171196-0  
6 POS MATE-N-LOK S



TE Part # 1-480274-0  
09P CMNL PLUG HSG P/M NATL



TE Part # 1-480284-0  
08P CMNL CAP HSG M/M NATL



TE Part # 1-480438-0  
16P CMNL PLUG HSG M/M NATL



TE Part # 1-480683-0  
02P CMNL PLUG HSG F/H NATL



TE Part # 1-480277-0  
09P CMNL CAP HSG P/M NATL



TE Part # 1-480722-0  
04P CMNL PLUG HSG W/LCK NATL



TE Part # 1-480276-0  
06P CMNL CAP HSG P/M NATL



TE Part # 1-480285-0  
10P CMNL PLUG HSG M/M NATL



TE Part # 1-480439-0  
16P CMNL CAP HSG M/M NATL



TE Part # 1-480393-1  
02P CMNL PLUG HSG F/H BLK



TE Part # 1-480345-0  
08P CMNL CAP HSG F/H NATL



TE Part # 1-480340-0  
06P CMNL CAP HSG F/H NATL



TE Part # 1-480278-0  
12P CMNL CAP HSG P/M NATL



TE Part # 1-480425-0  
04P CMNL PLUG HSG P/M NATL



TE Part # 1-480324-0  
15P CMNL CAP HSG P/M NATL



TE Part # 1-480721-0  
03P CMNL PLUG HSG W/LOK NATL



TE Part # 1-480323-0  
15P CMNL PLUG HSG P/M NATL

Also in the Series | [Commercial MATE-N-LOK](#)



Connector Contacts(20)



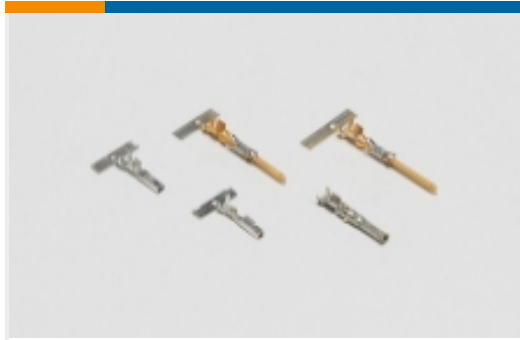
Connector Seals & Cavity Plugs(1)



Crimp Wire Pins, Tabs & Ferrules(2)



Insertion & Extraction Tools(3)



Power Contacts(129)



Rectangular Caps & Covers(2)



Rectangular Connector Housings(11)



Rectangular Power Connectors(169)



Standard Circular Connectors(2)



Standard Rectangular Connectors(7)

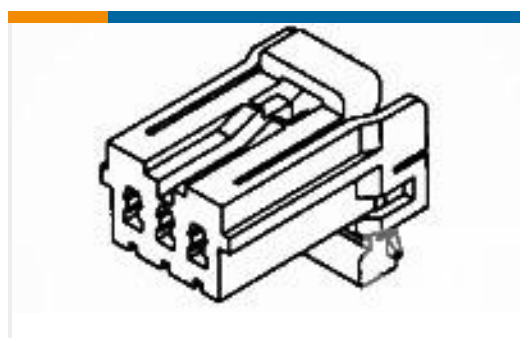


Wire-to-Board Connector Contacts(1)

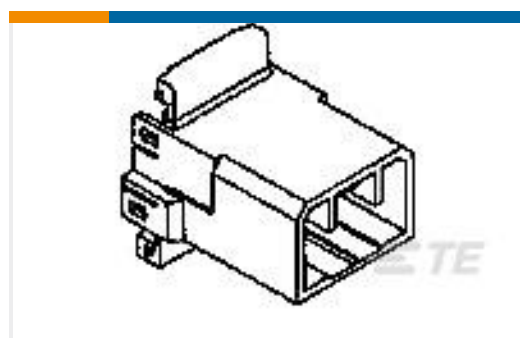
## Customers Also Bought



TE Part #1-1703061-2  
PLUG, 2 CIRCUIT, UNIVERSAL MATE-N-LOK



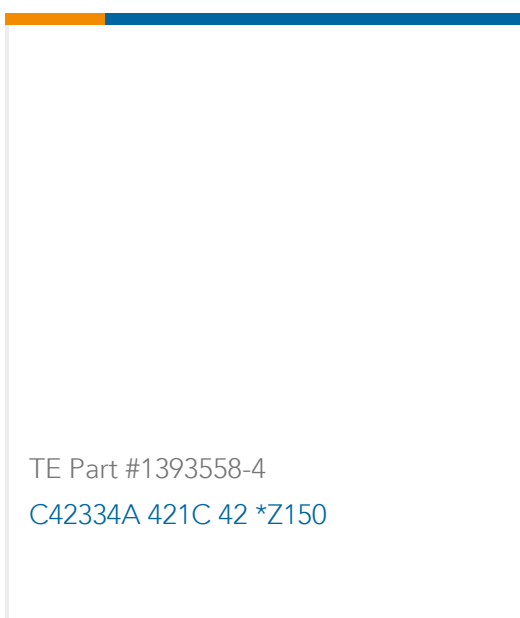
TE Part #282627-1  
070 SRS MLC PLUG HSG. 3 POS.



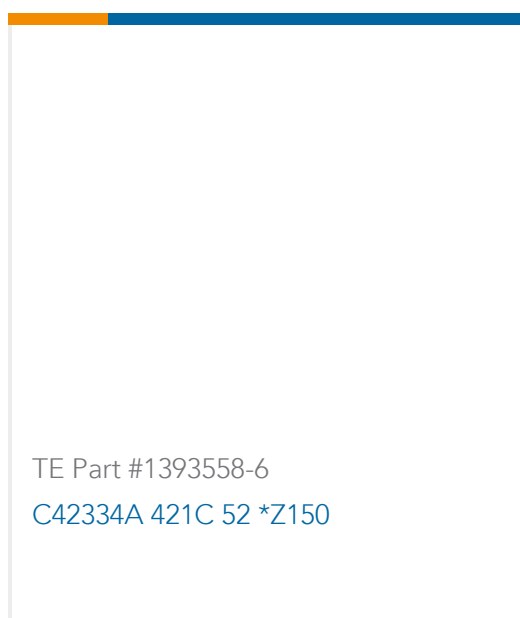
TE Part #174933-1  
070 MLC W-W CAP HSG 12P



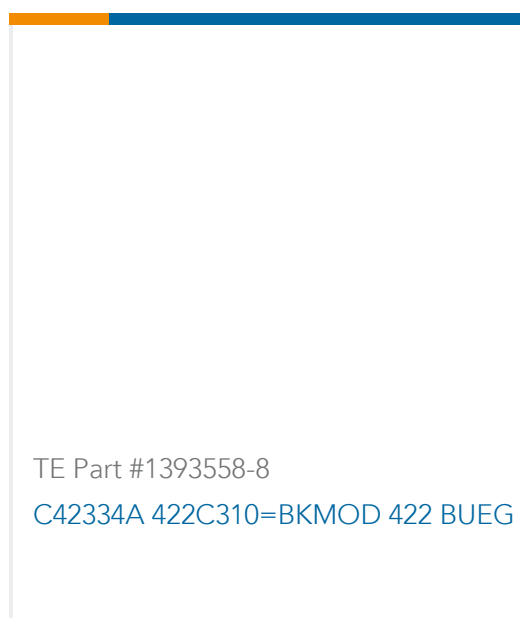
TE Part #2-142185-1  
MIC RECEPTACLE



TE Part #1393558-4  
C42334A 421C 42 \*Z150



TE Part #1393558-6  
C42334A 421C 52 \*Z150



TE Part #1393558-8  
C42334A 422C310=BKMOD 422 BUEG

## Documents





## Product Drawings

### MATENLOK SIDE WAY

English

---

## CAD Files

### 3D PDF

3D

#### Customer View Model

[ENG\\_CVM\\_CVM\\_163302-6\\_W.2d\\_dxf.zip](#)

English

#### Customer View Model

[ENG\\_CVM\\_CVM\\_163302-6\\_W.3d\\_igs.zip](#)

English

#### Customer View Model

[ENG\\_CVM\\_CVM\\_163302-6\\_W.3d\\_stp.zip](#)

English

### 3D PDF

English

#### Customer View Model

[ENG\\_CVM\\_163302-6\\_E.3d\\_igs.zip](#)

English

#### Customer View Model

[ENG\\_CVM\\_163302-6\\_E.3d\\_stp.zip](#)

English

#### Customer View Model

[ENG\\_CVM\\_163302-6\\_E.2d\\_dxf.zip](#)

English

By downloading the CAD file I accept and agree to the [Terms and Conditions](#) of use.

---

## Product Specifications

### Application Specification

English

---

## Product Environmental Compliance

[MD\\_163302-6\\_110320152057\\_dmtec](#)

English

[MD\\_163302-6\\_110320152057\\_dmtec](#)

English