



CGS | CGS HS

TE Internal #: 1630020-6

1.5 Ω, Wire Wound, Power Resistor, 143 x 73 x 42 mm, 2 Termination, Loose Piece - Tray, 5 %, 200 W, ±50 ppm/°C, M6 Threaded Stud Termination, CGS HS

[View on TE.com >](#)

Passive Components > Resistors > Chassis Mount Resistors > Power Resistors: Aluminum Housed, NHS



Resistor Type: **Power Resistor**

Passive Component Dimensions: **143 x 73 x 42 mm**

Number of Terminations: **2**

Packaging Method: **Loose Piece - Tray**

Passive Component Tolerance: **5 %**

[All Power Resistors: Aluminum Housed, NHS \(4\)](#)

## Features

### Product Type Features

Resistor Type	Power Resistor
Element Type	Wire Wound

### Configuration Features

Number of Resistors	1
---------------------	---

### Electrical Characteristics

Voltage Rating	1900 VAC
Passive Component Tolerance	5 %
Resistance Class	Up to 1kΩ
Resistance Value	1.5 Ω
Power Rating	200 W

### Termination Features

Number of Terminations	2
Chassis Mount Resistor Termination Type	M6 Threaded Stud

### Mechanical Attachment

Chassis Mount Resistor Mount Style	Chassis Mount
------------------------------------	---------------

### Dimensions



Passive Component Dimensions	143 x 73 x 42 mm
------------------------------	------------------

**Usage Conditions**

Temperature Coefficient	±50 ppm/°C
-------------------------	------------

**Packaging Features**

Packaging Method	Loose Piece - Tray
------------------	--------------------

**Product Compliance**

[For compliance documentation, visit the product page on TE.com>](#)

EU RoHS Directive 2011/65/EU	Compliant
EU ELV Directive 2000/53/EC	Compliant
China RoHS 2 Directive MIIT Order No 32, 2016	No Restricted Materials Above Threshold
EU REACH Regulation (EC) No. 1907/2006	Current ECHA Candidate List: JUNE 2023 (235) Candidate List Declared Against: JUNE 2023 (235) Does not contain REACH SVHC
Halogen Content	Low Halogen - Br, Cl, F, I < 900 ppm per homogenous material. Also BFR/CFR/PVC Free
Solder Process Capability	Not applicable for solder process capability

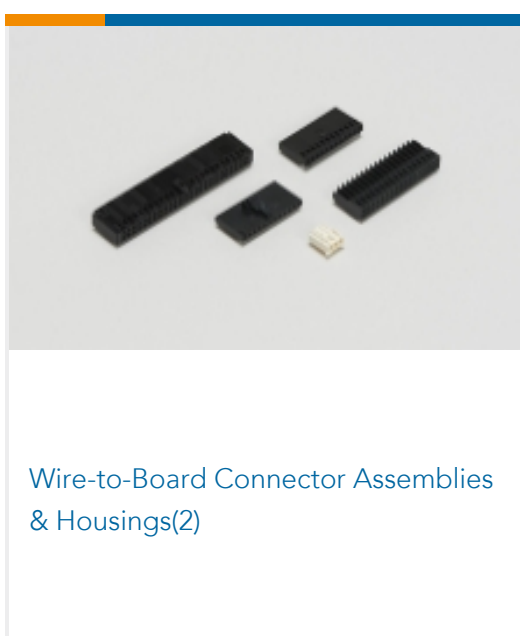
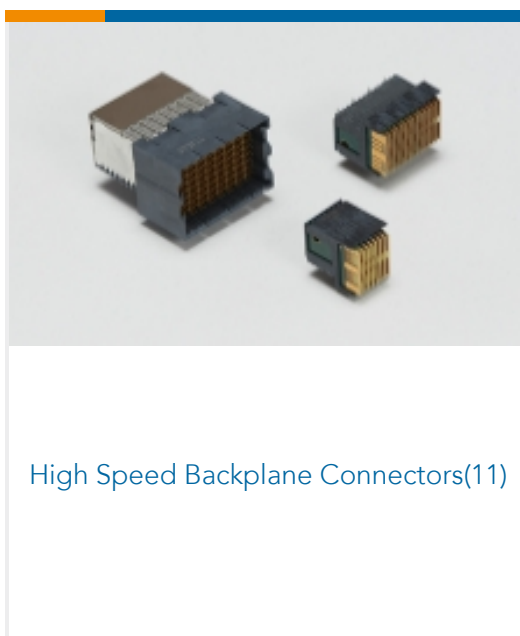
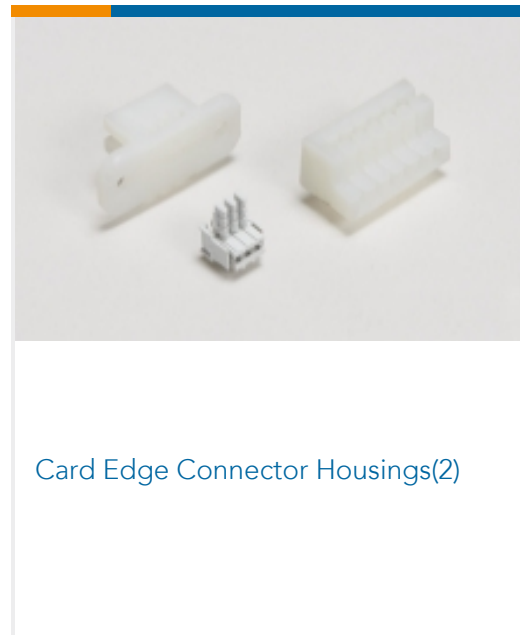
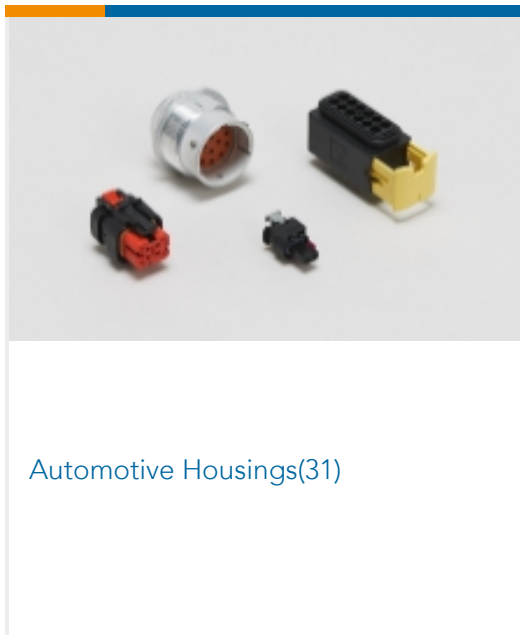
Product Compliance Disclaimer

This information is provided based on reasonable inquiry of our suppliers and represents our current actual knowledge based on the information they provided. This information is subject to change. The part numbers that TE has identified as EU RoHS compliant have a maximum concentration of 0.1% by weight in homogenous materials for lead, hexavalent chromium, mercury, PBB, PBDE, DBP, BBP, DEHP, DIBP, and 0.01% for cadmium, or qualify for an exemption to these limits as defined in the Annexes of Directive 2011/65/EU (RoHS2). Finished electrical and electronic equipment products will be CE marked as required by Directive 2011/65/EU. Components may not be CE marked. Additionally, the part numbers that TE has identified as EU ELV compliant have a maximum concentration of 0.1% by weight in homogenous materials for lead, hexavalent chromium, and mercury, and 0.01% for cadmium, or qualify for an exemption to these limits as defined in the Annexes of Directive 2000/53/EC (ELV). Regarding the REACH Regulation, the information TE provides on SVHC in articles for this part number is based on the latest European Chemicals Agency (ECHA) 'Guidance on requirements for substances in articles' posted at this URL: <https://echa.europa.eu/guidance-documents/guidance-on-reach>

**Compatible Parts**



## Also in the Series | CGS HS



## Customers Also Bought





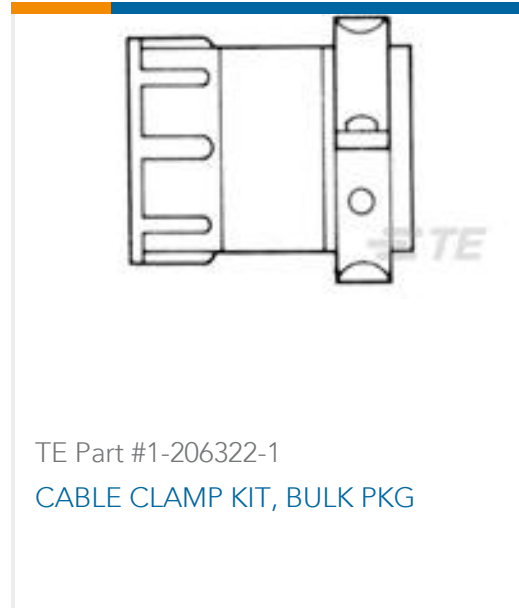
TE Part #1326031-4  
2.8MM BLD,SEAL,16AWG



TE Part #2035360-1  
1X4 GENERATION Y ASSY KEY A



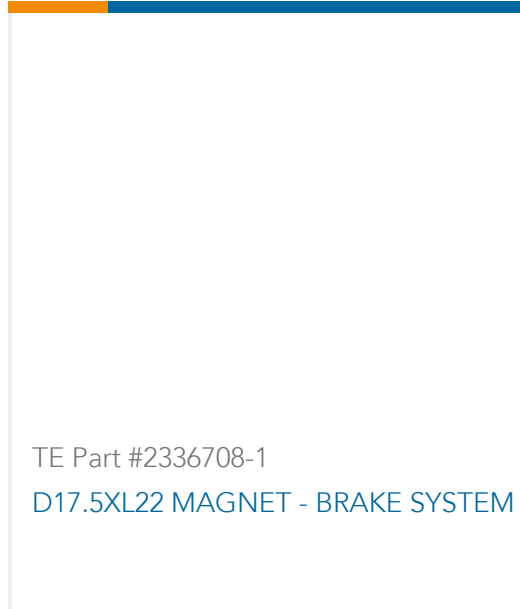
TE Part #6-146256-0  
20 MODII HDR DRST B/A .100CL L



TE Part #1-206322-1  
CABLE CLAMP KIT, BULK PKG



TE Part #7-1879352-8  
RR02 5% 510R AMMO



TE Part #2336708-1  
D17.5XL22 MAGNET - BRAKE SYSTEM

## Documents

### Product Drawings

[NHSC200 1R5 5%](#)

English

### CAD Files

Customer View Model

[ENG\\_CVM\\_CVM\\_1630020-6\\_F.2d\\_dxf.zip](#)

English

3D PDF

3D

Customer View Model

[ENG\\_CVM\\_CVM\\_1630020-6\\_F.3d\\_igs.zip](#)

English

Customer View Model

[ENG\\_CVM\\_CVM\\_1630020-6\\_F.3d\\_stp.zip](#)

English

By downloading the CAD file I accept and agree to the [Terms and Conditions](#) of use.

### Datasheets & Catalog Pages

[1309350\\_PASSIVE\\_COMPONENT](#)

English

[8-1773459-4\\_POWER\\_FILTERING\\_AND\\_RESISTIVE\\_SOLUTIONS\\_FOR\\_ELEVATORS\\_AND\\_ESCALATORS](#)

English