

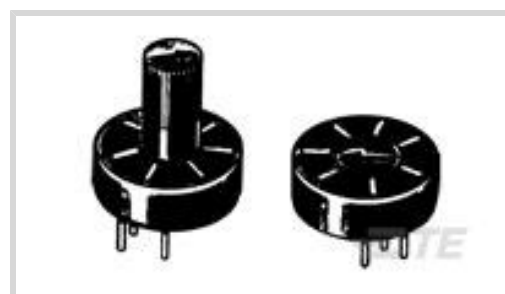


Citec Type PC Series

TE Internal #: 1625939-7

TE Internal Description: PC910 10K

[View on TE.com >](#)



### Product Compliance

[For compliance documentation, visit the product page on TE.com>](#)

EU RoHS Directive 2011/65/EU	Compliant
EU ELV Directive 2000/53/EC	Compliant
China RoHS 2 Directive MIIT Order No 32, 2016	No Restricted Materials Above Threshold
EU REACH Regulation (EC) No. 1907/2006	Current ECHA Candidate List: JUNE 2023 (235) Candidate List Declared Against: JUNE 2022 (224) Does not contain REACH SVHC
Halogen Content	Low Halogen - Br, Cl, F, I < 900 ppm per homogenous material. Also BFR/CFR/PVC Free
Solder Process Capability	Pin-in-Paste capable to 260°C

Product Compliance Disclaimer

This information is provided based on reasonable inquiry of our suppliers and represents our current actual knowledge based on the information they provided. This information is subject to change. The part numbers that TE has identified as EU RoHS compliant have a maximum concentration of 0.1% by weight in homogenous materials for lead, hexavalent chromium, mercury, PBB, PBDE, DBP, BBP, DEHP, DIBP, and 0.01% for cadmium, or qualify for an exemption to these limits as defined in the Annexes of Directive 2011/65/EU (RoHS2). Finished electrical and electronic equipment products will be CE marked as required by Directive 2011/65/EU. Components may not be CE marked. Additionally, the part numbers that TE has identified as EU ELV compliant have a maximum concentration of 0.1% by weight in homogenous materials for lead, hexavalent chromium, and mercury, and 0.01% for cadmium, or qualify for an exemption to these limits as defined in the Annexes of Directive 2000/53/EC (ELV). Regarding the REACH Regulation, the information TE provides on SVHC in articles for this part number is based on the latest European Chemicals Agency (ECHA) 'Guidance on requirements for substances in articles' posted at this URL: <https://echa.europa.eu/guidance-documents/guidance-on-reach>

### Compatible Parts

TE Part # 1625940-6  
PC911 1M

TE Part # 1625940-7  
PC911 22K

TE Part # 1625938-1  
PC908 10K 20%

TE Part # 1625938-2  
PC908 470R 20%

TE Part # 1-1624231-1  
PC610H 500RA 20SL(RoHS)

TE Part # 1-1624231-2  
PC610H 5KA 15SL(RoHS)

TE Part # 1624231-4  
PC610HA 1KB 30MM SERR HP

TE Part # 1-1624231-7  
PC610V 10KA 30KNURLED(RoHS)

TE Part # 1-1625940-0  
PC911 1K 10% LIN

TE Part # 1625940-9  
PC911 22K 10% LIN

TE Part # 1625939-2  
PC910 220R

TE Part # 1625939-5  
PC910 2K2

TE Part # 1625939-6  
PC910 4K7

TE Part # 1625939-9  
PC910 47K

TE Part # 1-1625939-0  
PC910 100K

TE Part # 1-1625939-2  
PC910 470K

TE Part # 1-1625939-3  
PC910 1M

TE Part # 1625939-1  
PC910 100R

TE Part # 1625939-3  
PC910 470R

TE Part # 1625939-4  
PC910 1K

Also in the Series |

Customers Also Bought



TE Part #1-1415898-8  
RTS3L005



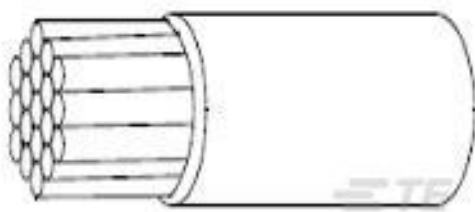
TE Part #1721441-2  
PCN-105D3MHZ,001B



TE Part #6-1393144-6  
K10P-11D55-12=K10/K20



TE Part #4-1393763-0  
V23100V4324C000



TE Part #216246-000  
55A0111-26-0

TE Part #CJ6405-000  
222K142-25/225-CS-2065-0

## Documents

### Product Drawings

[PC910 10K](#)

English

### CAD Files

[3D PDF](#)

3D

Customer View Model

[ENG\\_CVM\\_CVM\\_1625939-7\\_H.2d\\_dxf.zip](#)

English

Customer View Model

[ENG\\_CVM\\_CVM\\_1625939-7\\_H.3d\\_igs.zip](#)

English

Customer View Model

[ENG\\_CVM\\_CVM\\_1625939-7\\_H.3d\\_stp.zip](#)

English

By downloading the CAD file I accept and agree to the [Terms and Conditions](#) of use.

### Datasheets & Catalog Pages

[1309350\\_PASSIVE\\_COMPONENT](#)

English

[Professional Trimmers - Type PC910 Series - Tyco Electronics Passives](#)

English