

# RES KIT CFR16RS ✓ ACTIVE

Neohm | Neohm CFR

TE Internal #: 1625873-7

Carbon Film, General Purpose Resistor, 3.5 x 1.85 mm, 2

Termination, Folder, Carbon Film Fixed Kit, .25 W, Tinned Copper

Leads Termination, Neohm CFR

[View on TE.com >](#)



Passive Components > Resistors > Through-Hole Resistors



Resistor Type: **General Purpose Resistor**

Passive Component Dimensions: **3.5 x 1.85 mm**

Number of Terminations: **2**

Packaging Method: **Folder**

Passive Component Accessory Type: **Carbon Film Fixed Kit**

## Features

### Product Type Features

Product Type	Resistor Kit
Resistor Type	General Purpose Resistor
Passive Component Accessory Type	Carbon Film Fixed Kit
Element Type	Carbon Film

### Configuration Features

Number of Resistors	1
---------------------	---

### Electrical Characteristics

Power Rating	.25 W
--------------	-------

### Body Features

Passive Component Lead Type	Axial-Leaded
-----------------------------	--------------

### Termination Features

Number of Terminations	2
Passive Component Termination Material Type	Tinned Copper Leads

### Dimensions

Passive Component Dimensions	3.5 x 1.85 mm
------------------------------	---------------

### Usage Conditions

Operating Temperature Range	-55 – 155 °C
-----------------------------	--------------

## Packaging Features

Packaging Method	Folder
------------------	--------

## Product Compliance

[For compliance documentation, visit the product page on TE.com>](#)

EU RoHS Directive 2011/65/EU	Compliant
EU ELV Directive 2000/53/EC	Compliant
China RoHS 2 Directive MIIT Order No 32, 2016	No Restricted Materials Above Threshold
EU REACH Regulation (EC) No. 1907/2006	Current ECHA Candidate List: JUNE 2023 (235) Candidate List Declared Against: JUL 2021 (219) Does not contain REACH SVHC
Halogen Content	Low Halogen - Br, Cl, F, I < 900 ppm per homogenous material. Also BFR/CFR/PVC Free
Solder Process Capability	Wave solder capable to 265°C

### Product Compliance Disclaimer

This information is provided based on reasonable inquiry of our suppliers and represents our current actual knowledge based on the information they provided. This information is subject to change. The part numbers that TE has identified as EU RoHS compliant have a maximum concentration of 0.1% by weight in homogenous materials for lead, hexavalent chromium, mercury, PBB, PBDE, DBP, BBP, DEHP, DIBP, and 0.01% for cadmium, or qualify for an exemption to these limits as defined in the Annexes of Directive 2011/65/EU (RoHS2). Finished electrical and electronic equipment products will be CE marked as required by Directive 2011/65/EU. Components may not be CE marked. Additionally, the part numbers that TE has identified as EU ELV compliant have a maximum concentration of 0.1% by weight in homogenous materials for lead, hexavalent chromium, and mercury, and 0.01% for cadmium, or qualify for an exemption to these limits as defined in the Annexes of Directive 2000/53/EC (ELV). Regarding the REACH Regulation, the information TE provides on SVHC in articles for this part number is based on the latest European Chemicals Agency (ECHA) 'Guidance on requirements for substances in articles' posted at this URL: <https://echa.europa.eu/guidance-documents/guidance-on-reach>

## Compatible Parts

 <p>TE Part # 1625873-1 0402 5% LAB-KIT</p>	 <p>TE Part # 1625873-3 0603 LAB-KIT</p>	 <p>TE Part # 1625873-5 0805 LAB-KIT</p>	 <p>TE Part # 1625873-6 1206 LAB-KIT</p>
--	---	---	---



TE Part # 1625873-8  
CFR25 LAB-KIT



TE Part # 1625873-9  
CFR50 LAB-KIT



TE Part # 1-1625873-1  
LR1 LAB-KIT



TE Part # 1-1625873-4  
0402 1% LAB-KIT



TE Part # 1-1625873-6  
3521 10R-1M0 LAB KIT



TE Part # 1625873-4  
0805 RESISTOR KITS



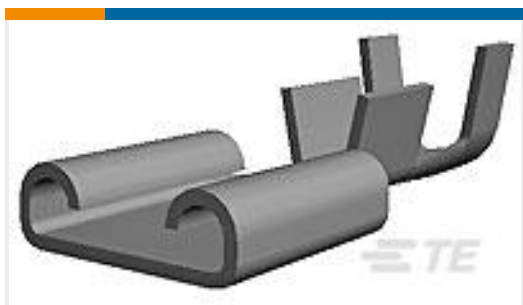
TE Part # 1-1625873-2  
LR2 LAB-KIT

Also in the Series | **Neohm CFR**



Through-Hole Resistors(379)

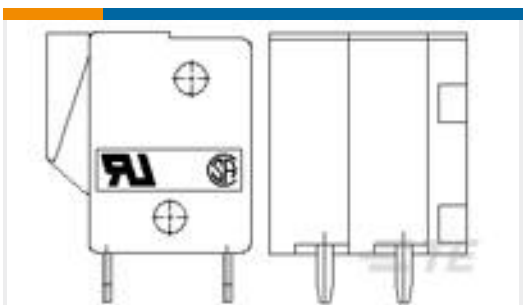
Customers Also Bought



TE Part #42437-2  
250 FASTON REC 14-10 AWG TPBR



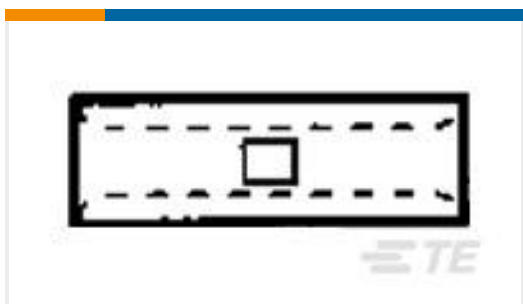
TE Part #63698-1  
FASTON .187 (4.75 MM) ADAPTER TPBR



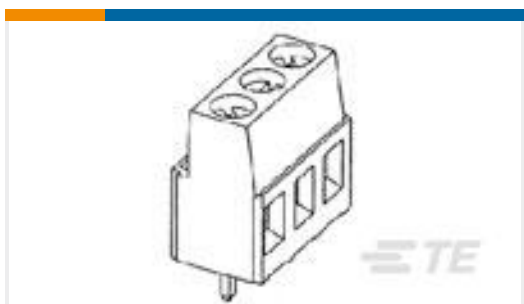
TE Part #1776260-2  
Bd Mt Screwless, 5.08mm Top Wi



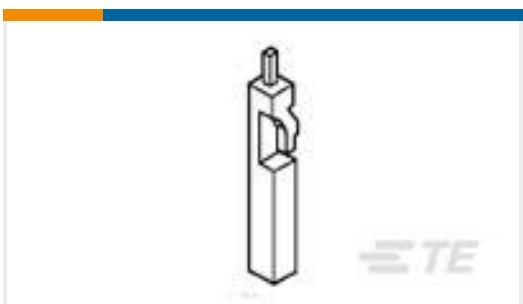
TE Part #5-104071-2  
05 SYSTEM 50 HDR SRST SHRD SN



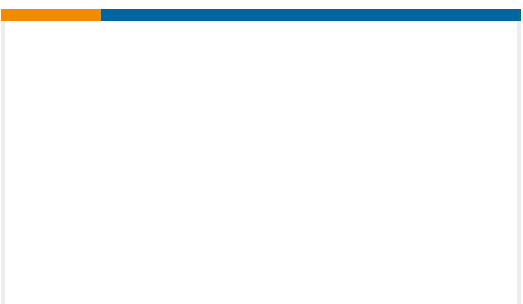
TE Part #51892  
SPLICE,SOLIS BUTT 8



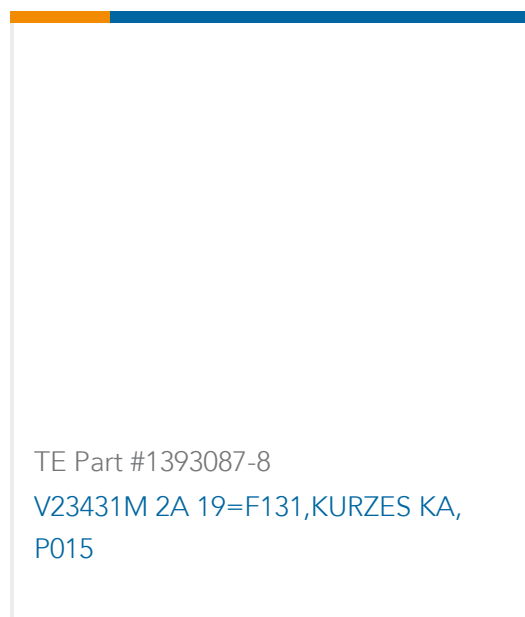
TE Part #796949-8  
8 POS TERMI-BLOK PCB MOUNT



TE Part #87077-1  
MOD IV KEYING PLUG



TE Part #1952025-1  
Speed Sensor, Version 1



## Documents

### Product Drawings

[CFR16 LAB-KIT](#)

English

[CFR16 LAB-KIT](#)

English

---

### Datasheets & Catalog Pages

[1309350\\_PASSIVE\\_COMPONENT](#)

English

[Ceramic Film Fixed Resistors - Type CFR Series - Tyco Electronics Passives](#)

English