



Passive Components > Resistors > Surface Mount Resistors



Resistor Type: **General Purpose Resistor**

Package Size Code: **0402**

Packaging Method: **Folder**

Passive Component Tolerance: **5 %**

Passive Component Accessory Type: **SMD Thick Film Resistor Kit**

## Features

### Product Type Features

Product Type	Fixed Resistor
Resistor Type	General Purpose Resistor
Package Size Code	0402
Passive Component Accessory Type	SMD Thick Film Resistor Kit
Element Type	Thick Film

### Electrical Characteristics

Passive Component Tolerance	5 %
Power Rating	.063 W

### Termination Features

Surface Mount Resistor Termination Type	Solder
---	--------

### Dimensions

Passive Component Dimensions	1 x .5 x .35 mm
------------------------------	-----------------

### Usage Conditions

Temperature Coefficient	$\pm 100$ ppm/ $^{\circ}$ C
-------------------------	-----------------------------

### Packaging Features

Packaging Method	Folder
------------------	--------

## Product Compliance









[For compliance documentation, visit the product page on TE.com>](#)

EU RoHS Directive 2011/65/EU	Compliant
EU ELV Directive 2000/53/EC	Compliant
China RoHS 2 Directive MIIT Order No 32, 2016	No Restricted Materials Above Threshold
EU REACH Regulation (EC) No. 1907/2006	Current ECHA Candidate List: JUNE 2023 (235) Candidate List Declared Against: JUL 2021 (219) Does not contain REACH SVHC
Halogen Content	Low Halogen - Br, Cl, F, I < 900 ppm per homogenous material. Also BFR/CFR/PVC Free
Solder Process Capability	Reflow solder capable to 260 $^{\circ}$ C

#### Product Compliance Disclaimer

This information is provided based on reasonable inquiry of our suppliers and represents our current actual knowledge based on the information they provided. This information is subject to change. The part numbers that TE has identified as EU RoHS compliant have a maximum concentration of 0.1% by weight in homogenous materials for lead, hexavalent chromium, mercury, PBB, PBDE, DBP, BBP, DEHP, DIBP, and 0.01% for cadmium, or qualify for an exemption to these limits as defined in the Annexes of Directive 2011/65/EU (RoHS2). Finished electrical and electronic equipment products will be CE marked as required by Directive 2011/65/EU. Components may not be CE marked. Additionally, the part numbers that TE has identified as EU ELV compliant have a maximum concentration of 0.1% by weight in homogenous materials for lead, hexavalent chromium, and mercury, and 0.01% for cadmium, or qualify for an exemption to these limits as defined in the Annexes of Directive 2000/53/EC (ELV). Regarding the REACH Regulation, the information TE provides on SVHC in articles for this part number is based on the latest European Chemicals Agency (ECHA) 'Guidance on requirements for substances in articles' posted at this URL: <https://echa.europa.eu/guidance-documents/guidance-on-reach>

## Compatible Parts

 <p>TE Part # 1625873-3 0603 LAB-KIT</p>	 <p>TE Part # 1625873-5 0805 LAB-KIT</p>	 <p>TE Part # 1625873-6 1206 LAB-KIT</p>	 <p>TE Part # 1625873-7 CFR16 LAB-KIT</p>
 <p>TE Part # 1625873-8 CFR25 LAB-KIT</p>	 <p>TE Part # 1625873-9 CFR50 LAB-KIT</p>	 <p>TE Part # 1-1625873-1 LR1 LAB-KIT</p>	 <p>TE Part # 1-1625873-4 0402 1% LAB-KIT</p>



TE Part # 1-1625873-6  
3521 10R-1M0 LAB KIT

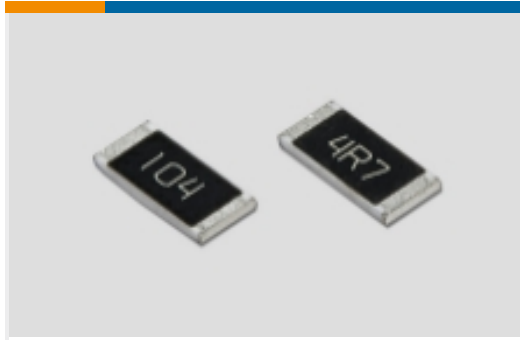


TE Part # 1625873-4  
0805 RESISTOR KITS



TE Part # 1-1625873-2  
LR2 LAB-KIT

## Also in the Series | Neohm CRG



Surface Mount Resistors(653)

## Customers Also Bought



TE Part #747840-4  
09 MSFL PLUG RA 318 (IN,FM,BL)



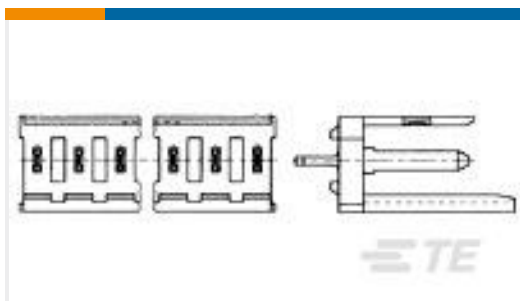
TE Part #2-2013290-1  
EMBOSS TAPE DDR3 204P 5.2H RVS



TE Part #5747877-3  
FEMALE SCREWLOCK ZINC CLEAR



TE Part #280378-1  
4P AMPMODU II SHRD HDR, RT ANG, TIN



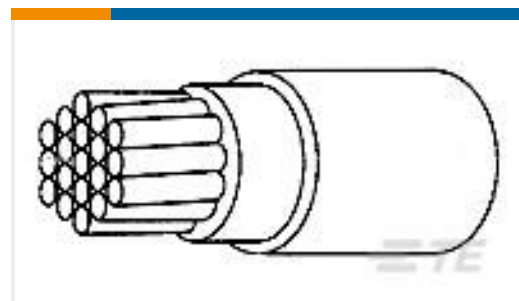
TE Part #280615-2  
MOD I INCREMENTAL ASSY



TE Part #1614350-2  
RN 0603 10R 0.1% 10PPM CUT LENGTH



TE Part #5-2176330-4  
CRGP 2010 270K 1%



TE Part #0160793001  
99M0111-22-2L



TE Part #HGC208N00003200000  
723 htec receptacle, angled, speedtec



## Documents

### Product Drawings

[0402 5% LAB-KIT](#)

English

[0402 5% LAB-KIT](#)

English

---

### Datasheets & Catalog Pages

[1309350\\_PASSIVE\\_COMPONENT](#)

English