



Neohm | Neohm NTC

TE Internal #: 1624363-1

47K  $\Omega$  Thermistor, 0805, 4100 K Beta Value, Negative Temperature

Coefficient, 5 %, Neohm NTC

[View on TE.com >](#)

Passive Components > Resistors > Thermistors



Resistance Value: 47K  $\Omega$

Package Size Code: 0805

Beta Value: 4100 K

Thermistor Mode of Operation: **Negative Temperature Coefficient**

Passive Component Tolerance: 5 %

## Features

### Product Type Features

Package Size Code	0805
-------------------	------

### Electrical Characteristics

Resistance Value	47K $\Omega$
Passive Component Tolerance	5 %

### Dimensions

Passive Component Dimensions	2 x 1.25 x.5 mm
------------------------------	-----------------

### Operation/Application

Thermistor Mode of Operation	Negative Temperature Coefficient
------------------------------	----------------------------------

### Packaging Features

Packaging Method	Taped & Reeled
------------------	----------------

### Other

Beta Value	4100 K
------------	--------

## Product Compliance

[For compliance documentation, visit the product page on TE.com>](#)

EU RoHS Directive 2011/65/EU	Compliant with Exemptions
EU ELV Directive 2000/53/EC	Compliant with Exemptions
China RoHS 2 Directive MIIT Order No 32, 2016	Restricted Materials Above Threshold



EU REACH Regulation (EC) No. 1907/2006

Current ECHA Candidate List: JUNE 2023 (235)

Candidate List Declared Against: JUNE 2023 (235)

Does not contain REACH SVHC

Halogen Content

Low Halogen - Br, Cl, F, I < 900 ppm per homogenous material. Also BFR/CFR/PVC Free

Solder Process Capability

Not reviewed for solder process capability

Product Compliance Disclaimer

This information is provided based on reasonable inquiry of our suppliers and represents our current actual knowledge based on the information they provided. This information is subject to change. The part numbers that TE has identified as EU RoHS compliant have a maximum concentration of 0.1% by weight in homogenous materials for lead, hexavalent chromium, mercury, PBB, PBDE, DBP, BBP, DEHP, DIBP, and 0.01% for cadmium, or qualify for an exemption to these limits as defined in the Annexes of Directive 2011/65/EU (RoHS2). Finished electrical and electronic equipment products will be CE marked as required by Directive 2011/65/EU. Components may not be CE marked. Additionally, the part numbers that TE has identified as EU ELV compliant have a maximum concentration of 0.1% by weight in homogenous materials for lead, hexavalent chromium, and mercury, and 0.01% for cadmium, or qualify for an exemption to these limits as defined in the Annexes of Directive 2000/53/EC (ELV). Regarding the REACH Regulation, the information TE provides on SVHC in articles for this part number is based on the latest European Chemicals Agency (ECHA) 'Guidance on requirements for substances in articles' posted at this URL: <https://echa.europa.eu/guidance-documents/guidance-on-reach>

## Compatible Parts

TE Part # 1624368-2  
NTC0805 5% 6K8

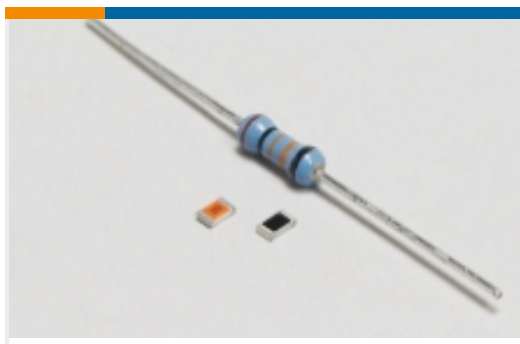
TE Part # 1624344-2  
NTC0805 5% 100K

TE Part # 1624360-2  
NTC0805 5% 3K0

TE Part # 1624345-1  
NTC0805 5% 10K

TE Part # 1624352-1  
NTC0805 5% 220R

Also in the Series | [Neohm NTC](#)



Thermistors(25)

## Customers Also Bought



TE Part #281695-4  
HEADER HE14 STRAIGHT 4 P



TE Part #2-1437565-7  
FSM2JSMA=SMT,TACTILE,PB SWITCH



TE Part #173925-1  
3 P ACTION PIN UMNL



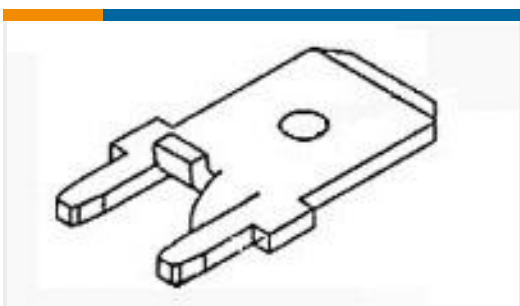
TE Part #1-172159-9  
MINI UNIVERSAL M-N-L CAP 4P



TE Part #8-2176230-3  
3522 5M6 5% 3W



TE Part #1624352-1  
NTC0805 5% 220R



TE Part #1217421-1  
250 FASTON,PCB TAB,TNBR

## Documents

### Product Drawings

[NTC0805 5% 47K](#)

English

### CAD Files

[3D PDF](#)

3D

Customer View Model

[ENG\\_CVM\\_CVM\\_1624363-1\\_B.2d\\_dxf.zip](#)

English

Customer View Model

[ENG\\_CVM\\_CVM\\_1624363-1\\_B.3d\\_igs.zip](#)

English

Customer View Model

[ENG\\_CVM\\_CVM\\_1624363-1\\_B.3d\\_stp.zip](#)

English

By downloading the CAD file I accept and agree to the [Terms and Conditions](#) of use.



---

**Datasheets & Catalog Pages**

[1309350\\_PASSIVE\\_COMPONENT](#)

English

[Negative Temperature Coefficient Chip Thermistors - Type NTC Series](#)

English

---

**Product Environmental Compliance**

[Product Compliance](#)

English

[Product Compliance](#)

English