

LEV200A4NAF ✓ ACTIVE

Kilovac | Kilovac LEV200

TE Internal #: 1618387-5

DC Contactors, 1 Form X, SPST-NO DM, 22 AWG Wire Size, .34 mm² Wire Size, 500 A, 12 VDC Coil Voltage, 11 Ω Coil Resistance, Kilovac LEV200

[View on TE.com >](#)



Relays, Contactors & Switches > Contactors > Mil-Aero Contactors > DC Contactors



DC Contactor Contact Arrangement: **1 Form X, SPST-NO DM**

Wire Size: **.34 mm²**

DC Contactor Contact Current Rating: **500 A**

Coil Voltage (Max): **12 VDC**

Features

Product Type Features

| | |
|------------------------|--------------------------|
| Product Classification | Relays - Contactors |
| Product Type | Contactor |
| Product Category | Electromechanical Relays |
| Contactor Type | Sealed |
| Terminal Configuration | 10-32 Stud |

Configuration Features

| | |
|--------------------------------------|------|
| Auxiliary Switch Contact Arrangement | None |
|--------------------------------------|------|

Electrical Characteristics

| | |
|--|---------|
| Actuating System | DC |
| Coil Voltage (Max) | 12 VDC |
| DC Contactor Coil Resistance | 11 Ω |
| DC Contactor Coil Voltage Rating | 12 VDC |
| DC Contactor Contact Switching Voltage (Max) | 900 VDC |

Contact Features

| | |
|-------------------------------------|----------------------|
| DC Contactor Contact Arrangement | 1 Form X, SPST-NO DM |
| DC Contactor Contact Current Rating | 500 A |
| Pole Configuration | 1 |

Termination Features

| | |
|------------------|-------------------|
| Coil Termination | 10-32 UNF-2A Stud |
|------------------|-------------------|



Mechanical Attachment

| | |
|----------------------------|------------|
| DC Contactor Mounting Type | Side Mount |
|----------------------------|------------|

Dimensions

| | |
|-----------|---------------------|
| Wire Size | .34 mm ² |
|-----------|---------------------|

Packaging Features

| | |
|------------------|------------|
| Packaging Method | Individual |
|------------------|------------|

Other

| | |
|--------|-----------------|
| Torque | 80 – 100 in-lbs |
|--------|-----------------|

Product Compliance

[For compliance documentation, visit the product page on TE.com>](#)

| | |
|---|--|
| EU RoHS Directive 2011/65/EU | Compliant |
| EU ELV Directive 2000/53/EC | Compliant |
| China RoHS 2 Directive MIIT Order No 32, 2016 | No Restricted Materials Above Threshold |
| EU REACH Regulation (EC) No. 1907/2006 | Current ECHA Candidate List: JUNE 2023 (235) Candidate List Declared Against: JAN 2022 (223) Does not contain REACH SVHC |
| Halogen Content | Low Halogen - Br, Cl, F, I < 900 ppm per homogenous material. Also BFR/CFR/PVC Free |
| Solder Process Capability | Hand solderable with lead free solder |

Product Compliance Disclaimer

This information is provided based on reasonable inquiry of our suppliers and represents our current actual knowledge based on the information they provided. This information is subject to change. The part numbers that TE has identified as EU RoHS compliant have a maximum concentration of 0.1% by weight in homogenous materials for lead, hexavalent chromium, mercury, PBB, PBDE, DBP, BBP, DEHP, DIBP, and 0.01% for cadmium, or qualify for an exemption to these limits as defined in the Annexes of Directive 2011/65/EU (RoHS2). Finished electrical and electronic equipment products will be CE marked as required by Directive 2011/65/EU. Components may not be CE marked. Additionally, the part numbers that TE has identified as EU ELV compliant have a maximum concentration of 0.1% by weight in homogenous materials for lead, hexavalent chromium, and mercury, and 0.01% for cadmium, or qualify for an exemption to these limits as defined in the Annexes of Directive 2000/53/EC (ELV). Regarding the REACH Regulation, the information TE provides on SVHC in articles for this part number is based on the latest European Chemicals Agency (ECHA) 'Guidance on requirements for substances in articles' posted at this URL: <https://echa.europa.eu/guidance-documents/guidance-on-reach>

Compatible Parts



TE Part # 4-1618391-1
LEV100A5ANH=RELAY,SPST-NO
24VDC VMT 15



TE Part # 3-1618389-2
LEV200H4ANF=RELAY, SPST-NO

Also in the Series | Kilovac LEV200



DC Contactors(15)



Definite Purpose Contactors(1)

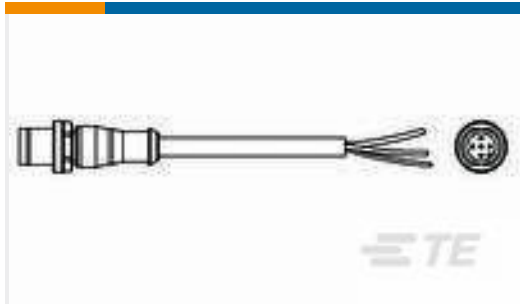


General Purpose Contactors(4)



High Voltage Relays(13)

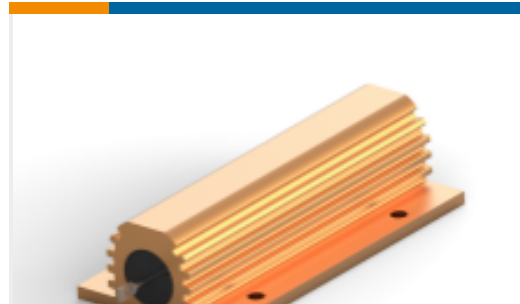
Customers Also Bought



TE Part #2273034-1
M12 x 1.0 straight plug pigt A



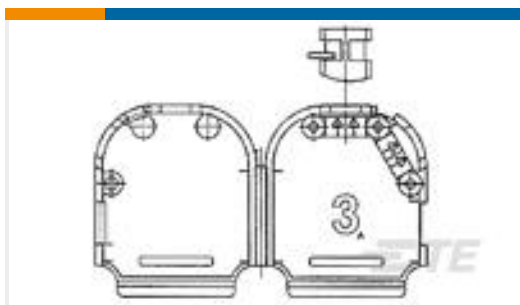
TE Part #6609021-5
3VB1=F7124 S0



TE Part #3-1630027-9
Power Resistors: Aluminum Housed,
HSC



TE Part #1-66359-1
III+ PIN,18-14,TIN-LEAD,STRIP



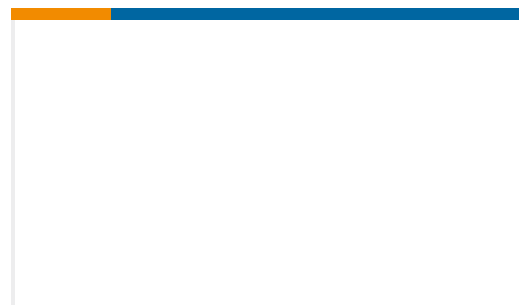
TE Part #5749914-1
CABLE CLAMP KIT,SZ 1,BULK PKG



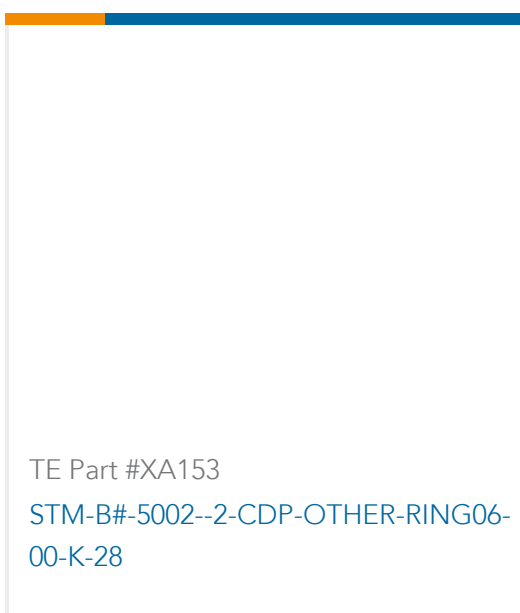
TE Part #K1060869
Battery Disconnect 35-557



TE Part #3-1414937-3
V23134J0065X497-EV-CBOX



TE Part #294815-E
SMCB 32 F AB VV 6-01 VH * 0008 137
E002



TE Part #XA153
STM-B#-5002--2-CDP-OTHER-RING06-
00-K-28



Documents

CAD Files

3D PDF

3D

Customer View Model

[ENG_CVM_CVM_1618387-5_E.2d_dxf.zip](#)

English

Customer View Model

[ENG_CVM_CVM_1618387-5_E.3d_igs.zip](#)

English

Customer View Model

[ENG_CVM_CVM_1618387-5_E.3d_stp.zip](#)

English

By downloading the CAD file I accept and agree to the [Terms and Conditions](#) of use.

Datasheets & Catalog Pages

[5-1773450-5_sec7_LEV200](#)

English