



Kilovac | Kilovac EV200

TE Internal #: 1618002-5

High Voltage Relays, 12 – 900VDC Contact Voltage Rating, 1 Form X, SPST-NO, Flying Leads, Stud Terminals, External Economizer, Kilovac EV200

[View on TE.com >](#)

Relays, Contactors & Switches > Relays > High Voltage Relays



Contact Voltage Rating: **12 – 900 VDC**

High Voltage Relay Contact Arrangement: **1 Form X, SPST-NO**

High Voltage Connection (Coil): **Flying Leads**

High Voltage Connection (Power): **Stud Terminals**

Economizer: **External**

**Features**

**Product Type Features**

|              |              |
|--------------|--------------|
| RF Rated     | No           |
| Product Type | Relay        |
| Relay Type   | High Voltage |

**Configuration Features**

|                 |          |
|-----------------|----------|
| Economizer      | External |
| Power Switching | Yes      |

**Electrical Characteristics**

|  |              |
|--|--------------|
| Contact Voltage Rating                             | 12 – 900 VDC |
| High Voltage Relay Voltage (Max)                   | 900 VDC      |
| High Voltage Relay Coil Voltage Rating             | 9 – 36 VDC   |
| High Voltage Relay Coil Resistance                 | 3.14 Ω       |
| High Voltage Relay Contact Switching Voltage (Max) | 900          |

**Contact Features**

|   |                   |
|---|-------------------|
| High Voltage Relay Contact Arrangement    | 1 Form X, SPST-NO |
| Auxiliary Contacts                        | Without           |
| High Voltage Relay Contact Current Rating | 500 A             |
| Contact Base Material                     | Copper            |

**Termination Features**



|                                 |                |
|---------------------------------|----------------|
| High Voltage Connection (Coil)  | Flying Leads   |
| High Voltage Connection (Power) | Stud Terminals |
| Termination Style               | Stud Terminals |

### Mechanical Attachment

|                                  |        |
|----------------------------------|--------|
| High Voltage Relay Mounting Type | Bottom |
|----------------------------------|--------|

### Product Compliance

[For compliance documentation, visit the product page on TE.com>](#)

|   |  |
|---|--|
| EU RoHS Directive 2011/65/EU                  | Compliant  |
| EU ELV Directive 2000/53/EC                   | Compliant  |
| China RoHS 2 Directive MIIT Order No 32, 2016 | No Restricted Materials Above Threshold  |
| EU REACH Regulation (EC) No. 1907/2006        | Current ECHA Candidate List: JUNE 2023 (235)<br>Candidate List Declared Against: JAN 2022 (223)<br>SVHC > Threshold:<br>Not Yet Reviewed |
| Halogen Content                               | Low Halogen - Br, Cl, F, I < 900 ppm per homogenous material. Also BFR/CFR/PVC Free  |
| Solder Process Capability                     | Hand solderable with lead free solder  |

#### Product Compliance Disclaimer

This information is provided based on reasonable inquiry of our suppliers and represents our current actual knowledge based on the information they provided. This information is subject to change. The part numbers that TE has identified as EU RoHS compliant have a maximum concentration of 0.1% by weight in homogenous materials for lead, hexavalent chromium, mercury, PBB, PBDE, DBP, BBP, DEHP, DIBP, and 0.01% for cadmium, or qualify for an exemption to these limits as defined in the Annexes of Directive 2011/65/EU (RoHS2). Finished electrical and electronic equipment products will be CE marked as required by Directive 2011/65/EU. Components may not be CE marked. Additionally, the part numbers that TE has identified as EU ELV compliant have a maximum concentration of 0.1% by weight in homogenous materials for lead, hexavalent chromium, and mercury, and 0.01% for cadmium, or qualify for an exemption to these limits as defined in the Annexes of Directive 2000/53/EC (ELV). Regarding the REACH Regulations, TE's information on SVHC in articles for this part number is still based on the European Chemical Agency (ECHA) 'Guidance on requirements for substances in articles' (Version: 2, April 2011), applying the 0.1% weight on weight concentration threshold at the finished product level. TE is aware of the European Court of Justice ruling of September 10th, 2015 also known as O5A (Once An Article Always An Article) stating that, in case of 'complex object', the threshold for a SVHC must be applied to both the product as a whole and simultaneously to each of the articles forming part of its composition. TE has evaluated this ruling based on the new ECHA "Guidance on requirements for substances in articles" (June 2017, version 4.0) and will be updating its statements accordingly.

### Compatible Parts



TE Part # 1618002-7  
EV200AAANA=RELAY, EV200 SPST-N



TE Part # 8-1618404-5  
EV200DAANA=CONTACTOR, SPST-NC

Also in the Series | Kilovac EV200



DC Contactors(1)

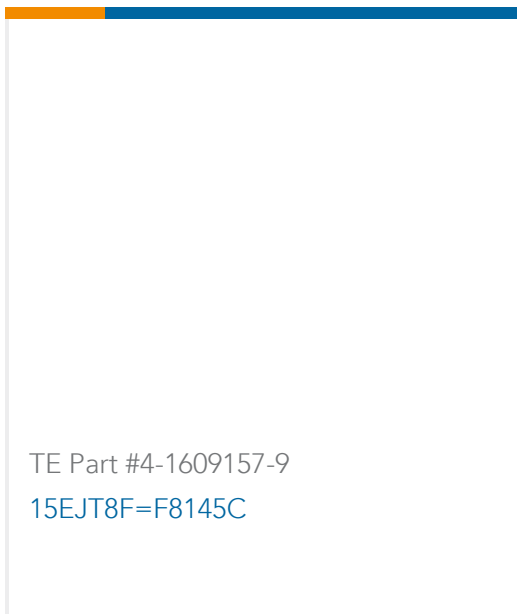


Definite Purpose Contactors(1)



High Voltage Relays(17)

Customers Also Bought



TE Part #4-1609157-9  
15EJT8F=F8145C



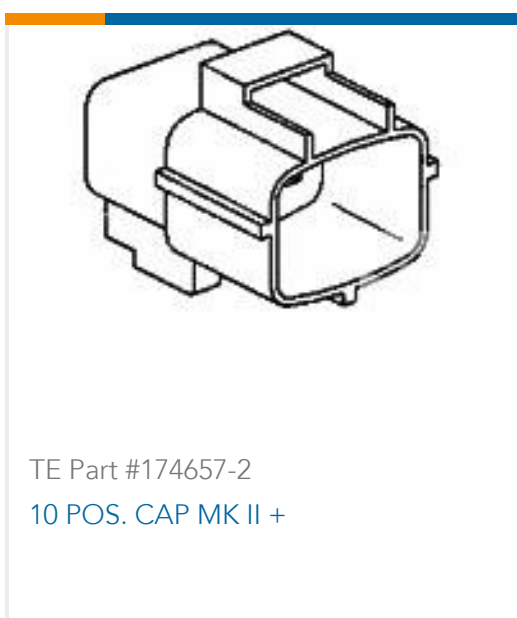
TE Part #1-1879073-1  
THS10 1R2 5%



TE Part #3-1564416-1  
8POS,TAB 1.6X0.6,TAB HSG,ASSY



TE Part #350669-1  
UMNL GRND PIN 20-14 PTPBR L/P



TE Part #174657-2  
10 POS. CAP MK II +



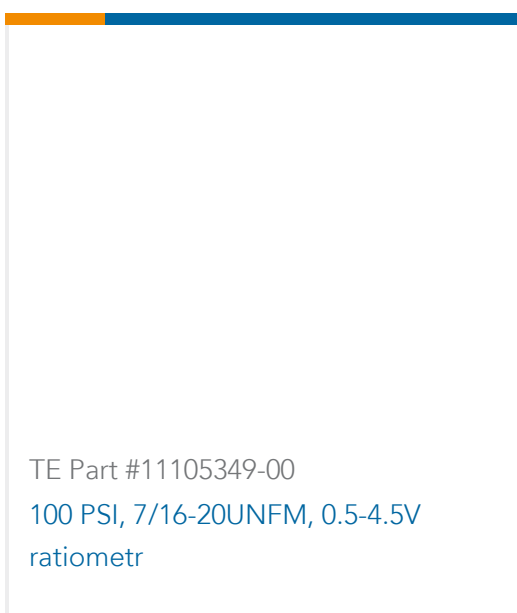
TE Part #2-1393302-2  
V23134A0052C643-EV-CBOX



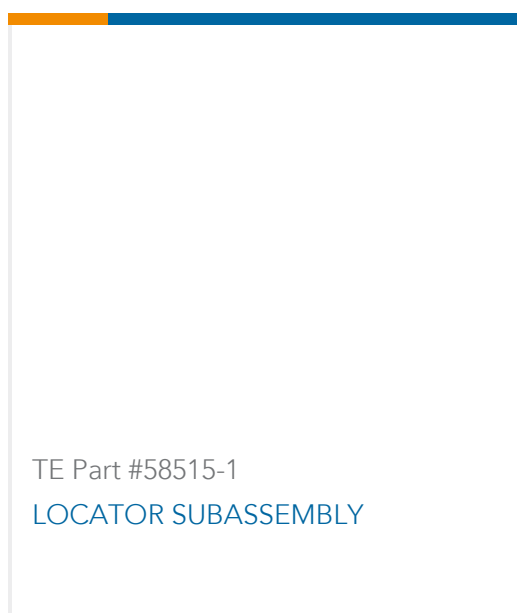
TE Part #174658-7  
10 POS DL PLATE FOR CAP MKII+



TE Part #2822352-1  
070 TYPE RUBBER PLUG



TE Part #11105349-00  
100 PSI, 7/16-20UNFM, 0.5-4.5V  
ratiometr



TE Part #58515-1  
LOCATOR SUBASSEMBLY



## Documents

### CAD Files

#### 3D PDF

3D

Customer View Model

[ENG\\_CVM\\_CVM\\_1618002-5\\_K.2d\\_dxf.zip](#)

English

Customer View Model

[ENG\\_CVM\\_CVM\\_1618002-5\\_K.3d\\_igs.zip](#)

English

Customer View Model

[ENG\\_CVM\\_CVM\\_1618002-5\\_K.3d\\_stp.zip](#)

English

By downloading the CAD file I accept and agree to the [Terms and Conditions](#) of use.

### Datasheets & Catalog Pages

[5-1773450-5\\_sec7\\_EV200A](#)

English