



CII

TE Internal #: 1617132-7

TO-5/.100 Grid Relays, 2 Form C, DPDT, 2 C/O, 5 VDC Input, Coil Suppression Diode, 1 A, 5 VDC Coil Voltage, 100 Ω Coil Resistance

[View on TE.com >](#)

Relays, Contactors & Switches > Relays > Mil-Aero Relays > TO-5/.100 Grid Relays



TO-5/.100 Grid Relay Contact Arrangement: **2 Form C, DPDT, 2 C/O**

TO-5/.100 Grid Relay Input Voltage: **5 VDC**

Coil Suppression Diode: **With**

MOSFET Driver: **Without**

Transistor Driver: **Without**

**Features**

**Product Type Features**

Enclosure Type	Hermetically Sealed
Relay Type	Military/Aerospace High Performance
Coil Latching	Without
Product Type	Relay
MOSFET Driver	Without

**Configuration Features**

Transistor Driver	Without
-------------------	---------

**Electrical Characteristics**

Coil Magnetic System	Non-Polarized, Monostable
Vibration	30G's, 10 – 3000Hz
Actuating System	DC
Shock	75G's, 6ms
Coil Power Measurement	Milliwatts
TO-5/.100 Grid Relay Input Voltage	5 VDC
Coil Suppression Diode	With
Coil Voltage	5 VDC
TO-5/.100 Grid Relay Coil Resistance	100 Ω
TO-5/.100 Grid Relay Coil Power Rating (DC)	250 mW



Coil Polarity Protection Diode	With
TO-5/.100 Grid Relay Contact Switching Voltage (Max)	28

**Contact Features**

Contact Current Class	Low Level – 1 A
TO-5/.100 Grid Relay Contact Arrangement	2 Form C, DPDT, 2 C/O
TO-5/.100 Grid Relay Contact Current Rating	1 A

**Termination Features**

Termination Type	Long Leads
------------------	------------

**Mechanical Attachment**

TO-5/.100 Grid Relay Mounting Type	Printed Circuit Board
------------------------------------	-----------------------

**Usage Conditions**

Operating Temperature Range	-65 – 125 °C
-----------------------------	--------------

**Product Compliance**

[For compliance documentation, visit the product page on TE.com>](#)

EU RoHS Directive 2011/65/EU	Not Compliant
EU ELV Directive 2000/53/EC	Not Compliant
China RoHS 2 Directive MIIT Order No 32, 2016	Restricted Materials Above Threshold
EU REACH Regulation (EC) No. 1907/2006	Current ECHA Candidate List: JUNE 2023 (235) Candidate List Declared Against: JAN 2022 (223) Does not contain REACH SVHC
Halogen Content	Low Halogen - Br, Cl, F, I < 900 ppm per homogenous material. Also BFR/CFR/PVC Free
Solder Process Capability	Not lead free process capable

Product Compliance Disclaimer

This information is provided based on reasonable inquiry of our suppliers and represents our current actual knowledge based on the information they provided. This information is subject to change. The part numbers that TE has identified as EU RoHS compliant have a maximum concentration of 0.1% by weight in homogenous materials for lead, hexavalent chromium, mercury, PBB, PBDE, DBP, BBP, DEHP, DIBP, and 0.01% for cadmium, or qualify for an exemption to these limits as defined in the Annexes of Directive 2011/65/EU (RoHS2). Finished electrical and electronic equipment products will be CE marked as required by Directive 2011/65/EU. Components may not be CE marked. Additionally, the part numbers that TE has identified as EU ELV compliant have a maximum concentration of 0.1% by weight in homogenous materials for lead, hexavalent chromium, and mercury, and 0.01% for cadmium, or qualify for an exemption to these limits as defined in the Annexes of Directive 2000/53/EC (ELV). Regarding the REACH Regulation, the information TE provides on SVHC in articles for this part number is based on the latest European Chemicals Agency (ECHA) 'Guidance on requirements for substances in articles' posted at this URL: <https://echa.europa.eu/guidance-documents/guidance-on-reach>

## Compatible Parts



TE Part # 2-1617031-3  
HFW1201K46 = M39016/6-209L

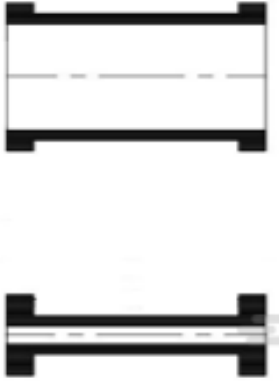
## Customers Also Bought




TE Part #806878-000  
222D232-25-0



TE Part #1410190-3  
MULTIGIG RT T2 7RW DC SE CT RT2



TE Part #026831-000  
202W302-25-0




TE Part #395415-000  
202W331-25-0



TE Part #2199248-6  
Shield Finger, Loose Piece, Type A, 1.6 h



TE Part #1625886-2  
1W SM M/OX 5% 330K



TE Part #307569-000  
202W302-12-0



TE Part #216026-007  
55A0111-24-9



TE Part #2-1617109-6  
PRMAC-12X = COTS T05



TE Part #1617031-2  
HFW1201K03 = HFW 1/2 SIZE RELA

## Documents

[CAD Files](#)

[3D PDF](#)

[3D](#)

[Customer View Model](#)

[ENG\\_CVM\\_CVM\\_1617132-7\\_A.2d\\_dxf.zip](#)

English



### Customer View Model

[ENG\\_CVM\\_CVM\\_1617132-7\\_A.3d\\_igs.zip](#)

English

### Customer View Model

[ENG\\_CVM\\_CVM\\_1617132-7\\_A.3d\\_stp.zip](#)

English

By downloading the CAD file I accept and agree to the [Terms and Conditions](#) of use.

### Datasheets & Catalog Pages

[5-1773450-5\\_sec1\\_MS](#)

English

[RELAY](#)

English