

LSAW-2C-12B ✓ ACTIVE

CII | CII LS Relay

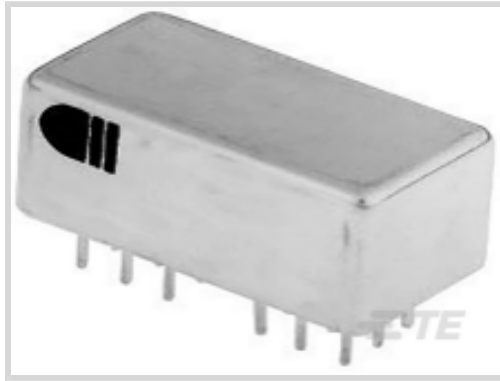
TE Internal #: 1617091-1

Half-Size Relays, 2 Form C, DPDT, 2 C/O, 12 VDC Input, 2 A, 12 VDC Coil Voltage, 254 Ω Coil Resistance, 567 mW Coil Power (DC), CII LS Relay

[View on TE.com >](#)



Relays, Contactors & Switches > Relays > Mil-Aero Relays > Half-Size Relays > DPDT LS Latching Relay: Magnetic-Latched, Half-Size Relay



Half-Size Relay Contact Arrangement: **2 Form C, DPDT, 2 C/O**

Half-Size Relay Input Voltage: **12 VDC**

Half-Size Relay Contact Current Rating: **2 A**

Half-Size Relay Coil Voltage Rating: **12 VDC**

Half-Size Relay Coil Resistance: **254 Ω**

[All DPDT LS Latching Relay: Magnetic-Latched, Half-Size Relay \(10\)](#)

Features

Product Type Features

Enclosure Type	Hermetically Sealed
Relay Type	Military/Aerospace High Performance
Coil Latching	Double
Product Type	Relay
MOSFET Driver	Without

Configuration Features

Transistor Driver	Without
-------------------	---------

Electrical Characteristics

Coil Magnetic System	Polarized, Bistable
Actuating System	DC
Vibration	20G's, 10 – 2000Hz
Shock	100G's, 6ms
Coil Suppression Diode	Without
Coil Power Measurement	Milliwatts
Coil Polarity Protection Diode	Without
Half-Size Relay Input Voltage	12 VDC



Half-Size Relay Coil Voltage Rating	12 VDC
-------------------------------------	--------

Half-Size Relay Coil Resistance	254 Ω
---------------------------------	--------------

Half-Size Relay Coil Power Rating (DC)	567 mW
--	--------

Contact Features

Half-Size Relay Contact Arrangement	2 Form C, DPDT, 2 C/O
-------------------------------------	-----------------------

Half-Size Relay Contact Current Rating	2 A
--	-----

Termination Features

Termination Type	PC Pins
------------------	---------

Mechanical Attachment

Half-Size Relay Mounting Type	Printed Circuit Board
-------------------------------	-----------------------

Usage Conditions

Operating Temperature Range	-65 – 125 °C
-----------------------------	--------------

Product Compliance

[For compliance documentation, visit the product page on TE.com>](#)

EU RoHS Directive 2011/65/EU	Not Compliant
------------------------------	---------------

EU ELV Directive 2000/53/EC	Not Compliant
-----------------------------	---------------

China RoHS 2 Directive MIIT Order No 32, 2016	Restricted Materials Above Threshold
---	--------------------------------------

EU REACH Regulation (EC) No. 1907/2006	Current ECHA Candidate List: JUNE 2023 (235) Candidate List Declared Against: JAN 2022 (223) SVHC > Threshold: Not Yet Reviewed
--	--

Halogen Content	Not Yet Reviewed for halogen content
-----------------	--------------------------------------

Solder Process Capability	Not lead free process capable
---------------------------	-------------------------------

Product Compliance Disclaimer

This information is provided based on reasonable inquiry of our suppliers and represents our current actual knowledge based on the information they provided. This information is subject to change. The part numbers that TE has identified as EU RoHS compliant have a maximum concentration of 0.1% by weight in homogenous materials for lead, hexavalent chromium, mercury, PBB, PBDE, DBP, BBP, DEHP, DIBP, and 0.01% for cadmium, or qualify for an exemption to these limits as defined in the Annexes of Directive 2011/65/EU (RoHS2). Finished electrical and electronic equipment products will be CE marked as required by Directive 2011/65/EU. Components may not be CE marked. Additionally, the part numbers that TE has identified as EU ELV compliant have a maximum concentration of 0.1% by weight in homogenous materials for lead, hexavalent chromium, and mercury, and 0.01% for cadmium, or qualify for an exemption to these limits as defined in the Annexes of Directive 2000/53/EC (ELV). Regarding the REACH Regulations, TE's information on SVHC in articles for this part number is still based on the European Chemical Agency (ECHA) 'Guidance on requirements for substances in articles' (Version: 2, April 2011), applying the 0.1% weight on weight concentration threshold at the finished product level. TE is aware of the European Court of Justice ruling of September 10th, 2015 also known as O5A (Once An Article Always An Article) stating that, in case of 'complex object', the threshold for a SVHC must be applied to both the

product as a whole and simultaneously to each of the articles forming part of its composition. TE has evaluated this ruling based on the new ECHA "Guidance on requirements for substances in articles" (June 2017, version 4.0) and will be updating its statements accordingly.

Compatible Parts




TE Part # 2-1617031-1
HFW1201K45M = M39016/6-109M

Also in the Series | CII LS Relay



Half-Size Relays(7)

Customers Also Bought



TE Part #5088450-2
PULL LOOP, CUT LENGTH .44 IN



TE Part #3-1630186-6
HSA50 14R 5%



TE Part #1-111623-8
10, 2MM, POL,30 DP, LEAD FREE



TE Part #1879215-5
CPF 0402 4K42 0.1% 25PPM 1K RL



TE Part #3-1879214-3
CPF 0402 698R 0.1% 25PPM 1K RL



TE Part #3-111623-1
012 2MM CTR 30DP FT



TE Part #4-1618274-9
HC-4=RELAY, VACUUM, SPDT



TE Part #5414373-1
JACK,PCB,50 OHM,BNC



Documents

CAD Files

[3D PDF](#)

3D

Customer View Model

[ENG_CVM_CVM_1617091-1_A.2d_dxf.zip](#)

English

Customer View Model

[ENG_CVM_CVM_1617091-1_A.3d_igs.zip](#)

English

Customer View Model

[ENG_CVM_CVM_1617091-1_A.3d_stp.zip](#)

English

By downloading the CAD file I accept and agree to the [Terms and Conditions](#) of use.

Datasheets & Catalog Pages

[5-1773450-5_sec1_LS](#)

English

[RELAY](#)

English