

1612121-4 ✓ ACTIVE

AMP Auto Squib Products

TE Internal #: 1612121-4

Housing for Female Terminals, Wire-to-Board / Wire-to-Device, 2 Position, .122 in [3.1 mm] Centerline, Yellow, AMP Auto Squib Products

[View on TE.com >](#)



Connectors > Automotive Connectors > Automotive Housings



Connector System: **Wire-to-Board, Wire-to-Device**

Number of Positions: **2**

Connector & Housing Type: **Housing for Female Terminals**

Centerline (Pitch): **3.1 mm [ .122 in ]**

Sealable: **No**

### Features

#### Product Type Features

Mixed & Hybrid Connector	No
Connector Shape	Rectangular
Connector System	Wire-to-Board, Wire-to-Device
Connector & Housing Type	Housing for Female Terminals
Sealable	No

#### Configuration Features

Number of Positions	2
Number of Rows	1

#### Body Features

Cable Exit Angle	90°
Primary Product Color	Yellow
Connector & Keying Code	A

#### Contact Features

Contact Size	1mm
Contact Type	Socket
Mating Pin Diameter	1 mm[.039 in]

#### Mechanical Attachment

Terminal Position Assurance	Yes
-----------------------------	-----



Strain Relief	Without
Mating Alignment Type	Keyed
Mating Alignment	With
Connector Mounting Type	Cable Mount (Free-Hanging)

### Housing Features

Housing Material	PBT
Centerline (Pitch)	3.1 mm [.122 in]

### Dimensions

Connector Height	19.4 mm [.764 in]
Product Width	12.6 mm [.496 in]
Product Length	16.2 mm [.638 in]

### Usage Conditions

Operating Temperature (Max)	70 °C, 75 °C, 80 °C [158 °F][167 °F][176 °F]
Operating Temperature Range	-30 – 80 °C [-22 – 176 °F]

### Industry Standards

UL Flammability Rating	UL 94HB
------------------------	---------

### Packaging Features

Packaging Quantity	100
Packaging Method	Bag

### Other

Serviceable	Yes
Connector Position Assurance Capable	No

### Product Compliance

[For compliance documentation, visit the product page on TE.com>](#)

EU RoHS Directive 2011/65/EU	Compliant
EU ELV Directive 2000/53/EC	Compliant
China RoHS 2 Directive MIIT Order No 32, 2016	No Restricted Materials Above Threshold
EU REACH Regulation (EC) No. 1907/2006	Current ECHA Candidate List: JUNE 2023 (235) Candidate List Declared Against: JUNE 2023 (235) Does not contain REACH SVHC

Halogen Content

BFR/CFR/PVC Free, but Br/Cl >900 ppm in other sources.

Solder Process Capability

Not applicable for solder process capability

Product Compliance Disclaimer

This information is provided based on reasonable inquiry of our suppliers and represents our current actual knowledge based on the information they provided. This information is subject to change. The part numbers that TE has identified as EU RoHS compliant have a maximum concentration of 0.1% by weight in homogenous materials for lead, hexavalent chromium, mercury, PBB, PBDE, DBP, BBP, DEHP, DIBP, and 0.01% for cadmium, or qualify for an exemption to these limits as defined in the Annexes of Directive 2011/65/EU (RoHS2). Finished electrical and electronic equipment products will be CE marked as required by Directive 2011/65/EU. Components may not be CE marked. Additionally, the part numbers that TE has identified as EU ELV compliant have a maximum concentration of 0.1% by weight in homogenous materials for lead, hexavalent chromium, and mercury, and 0.01% for cadmium, or qualify for an exemption to these limits as defined in the Annexes of Directive 2000/53/EC (ELV). Regarding the REACH Regulation, the information TE provides on SVHC in articles for this part number is based on the latest European Chemicals Agency (ECHA) 'Guidance on requirements for substances in articles' posted at this URL: <https://echa.europa.eu/guidance-documents/guidance-on-reach>

### Compatible Parts



TE Part # 1376766-1  
SQUIB 11DIA SCR ASSY 9.3MM TYP



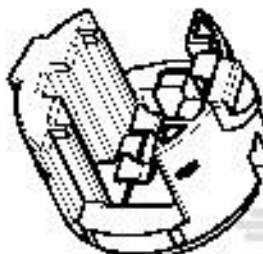
TE Part # 1827120-1  
SQUIB LOCKING BUTTON



TE Part # 1473369-1  
SQUIB 11DIA SCR ASSY 8.8MM TYP



TE Part # 1612122-1  
SQUIB LOCKING BUTTON



TE Part # 1376766-3  
SQUIB 11DIA SCR ASSY 9.3MM TYP



TE Part # 1473369-3  
SQUIB 11DIA SCR ASSY 8.8MM TYP



TE Part # 1473369-4  
SQUIB 11DIA SCR ASSY 8.8MM TYP



TE Part # 1473369-5  
SQUIB 11DIA SCR ASSY 8.8MM TYP



TE Part # 1-1473369-4  
SQUIB 11DIA SCR ASSY 8.8MM TYPE



TE Part # 1473369-7  
SQUIB 11DIA SCR ASSY CODE-A GR



TE Part # 1473369-9  
SQUIB 11DIA SCR ASSY 8.8MM TYPE

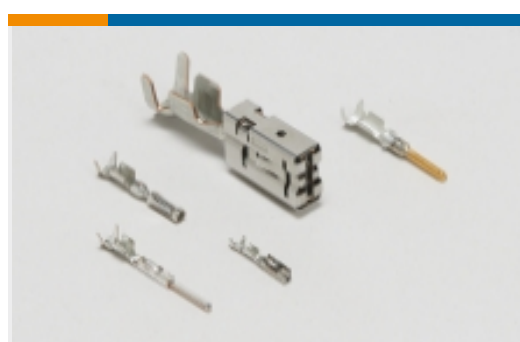


TE Part # 1612124-3  
1DIA SOCKET AU

Also in the Series | **AMP Auto Squib Products**



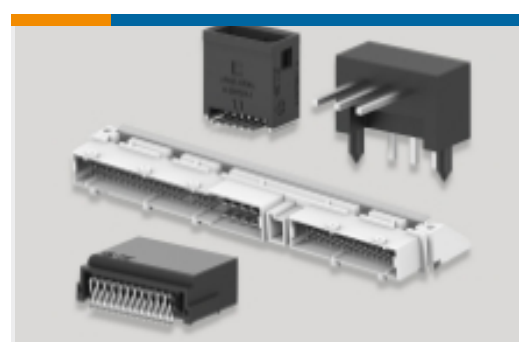
Automotive Housings(13)



Automotive Terminals(1)

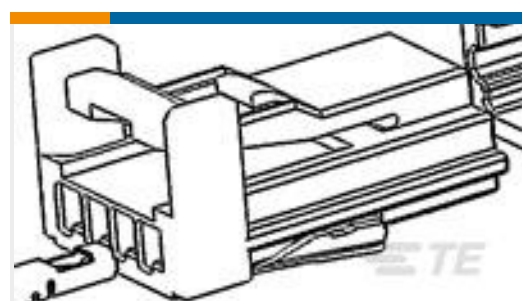


Other Automotive Connector Accessories(9)



PCB Headers &amp; Receptacles(1)

## Customers Also Bought



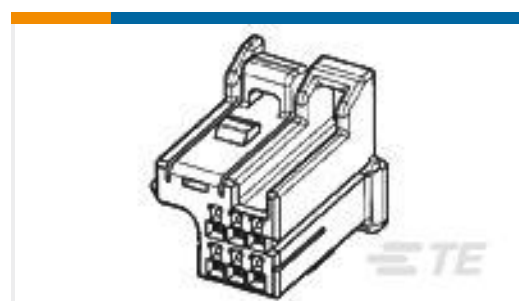
TE Part #1746911-1  
0.64III I/O 4P CONNECTOR PLUG  
HOUSING B



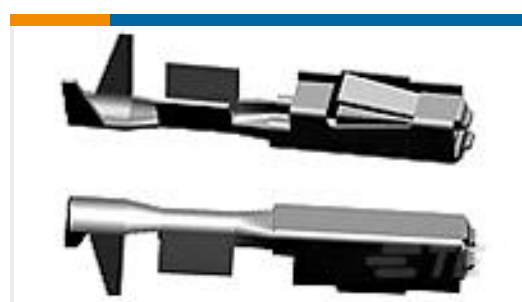
TE Part #2-2138650-1  
MQS, CONNECTOR HOUSING



TE Part #590760-000  
ES-CAP-HW-NO.3-0-45MM-ST



TE Part #1318825-7  
AIR BAG PLUG ASSY 6P



TE Part #5-1452013-1  
MQS0,63 Au rec LL unseal. 0,5-0,75



TE Part #2098067-2  
Plug Assembly, Hybrid, BCM, IP2, B  
Key



TE Part #2-2138651-1  
3POS MQS REC COD B



TE Part #2069775-1

## Documents

### Product Drawings

#### SQUIB 2POS PLUG HSG

Japanese

### CAD Files

#### Customer View Model

[ENG\\_CVM\\_CVM\\_1612121-4\\_E.2d\\_dxf.zip](#)

English

#### 3D PDF

3D

#### Customer View Model

[ENG\\_CVM\\_CVM\\_1612121-4\\_E.3d\\_igs.zip](#)

English

#### Customer View Model

[ENG\\_CVM\\_CVM\\_1612121-4\\_E.3d\\_stp.zip](#)

English

By downloading the CAD file I accept and agree to the [Terms and Conditions](#) of use.



---

**Product Specifications**

**SQUIB Connector 11DIA**

Japanese

**Product Specification**

Japanese

**SQUIB Connector 11DIA**

Japanese

**Product Specification**

Japanese

**11DIA SQUIB CONNECTOR COMPACT TYPE**

Japanese

---

**Product Environmental Compliance**

**Product Compliance**

English

**Product Compliance**

English

---

**Instruction Sheets**

**Instruction Sheet (non U.S.)**

Japanese