

160914-2 ✓ ACTIVE

FASTIN-FASTON | FASTIN-FASTON 250

TE Internal #: 160914-2

Quick Disconnects, Receptacle, 11 – 10 AWG Wire Size, 4 – 6 mm²

Wire Size, Mating Tab Width 6.35 mm [.25 in], Straight, Brass,

FASTIN-FASTON 250

[View on TE.com >](#)



Terminals & Splices > Quick Disconnects



Quick Disconnect Terminal Type: **Receptacle**

Wire Size: **4 – 6 mm²**

Mating Tab Width: **6.35 mm [.25 in]**

Mating Tab Thickness: **.81 mm [.032 in]**

Features

Product Type Features

Insertion Force	Normal
-----------------	--------

Configuration Features

Connection Capacity	Single
Compatible With Wire & Cable Type	Discrete Wire

Contact Features

Quick Disconnect Terminal Type	Receptacle
Mating Tab Width	6.35 mm [.25 in]
Mating Tab Thickness	.81 mm [.032 in]
Terminal Orientation	Straight
Contact Base Material	Brass
Terminal Plating Material	Tin
Crimp Type	F-Crimp
Barrel Type	Open

Termination Features

--	--



Product Terminates To	Wire & Cable
-----------------------	--------------

Mechanical Attachment

	.053 in
--	---------

Wire Insulation Support	With
-------------------------	------

Mating Retention Type	Locking Lance
-----------------------	---------------

Dimensions

Terminal Material Thickness	.41 mm[.016 in]
-----------------------------	-----------------

Product Length	19.2 mm[.755 in]
----------------	------------------

Compatible Insulation Diameter Range	4 – 5.2 mm[.157 – .205 in]
--------------------------------------	----------------------------

Wire Size	4 – 6 mm ²
-----------	-----------------------

Usage Conditions

Insulation Option	Uninsulated
-------------------	-------------

Operating Temperature Range	-40 – 110 °C[-40 – 230 °F]
-----------------------------	----------------------------

Industry Standards

UL Flammability Rating	UL 94V-2
------------------------	----------

Packaging Features

Packaging Quantity	4000
--------------------	------

Packaging Method	Strip/Reel
------------------	------------

Other

Terminals & Splices Comment	Chamfered, With dimple
-----------------------------	------------------------

Product Compliance

[For compliance documentation, visit the product page on TE.com>](#)

EU RoHS Directive 2011/65/EU	Compliant
------------------------------	-----------

EU ELV Directive 2000/53/EC	Compliant
-----------------------------	-----------

China RoHS 2 Directive MIIT Order No 32, 2016	No Restricted Materials Above Threshold
---	---

EU REACH Regulation (EC) No. 1907/2006	Current ECHA Candidate List: JUNE 2023 (235) Candidate List Declared Against: JUNE 2023 (235) Does not contain REACH SVHC
--	---

Halogen Content	Low Halogen - Br, Cl, F, I < 900 ppm per homogenous material. Also BFR/CFR/PVC Free
-----------------	---



Solder Process Capability

Not applicable for solder process capability

Product Compliance Disclaimer

This information is provided based on reasonable inquiry of our suppliers and represents our current actual knowledge based on the information they provided. This information is subject to change. The part numbers that TE has identified as EU RoHS compliant have a maximum concentration of 0.1% by weight in homogenous materials for lead, hexavalent chromium, mercury, PBB, PBDE, DBP, BBP, DEHP, DIBP, and 0.01% for cadmium, or qualify for an exemption to these limits as defined in the Annexes of Directive 2011/65/EU (RoHS2). Finished electrical and electronic equipment products will be CE marked as required by Directive 2011/65/EU. Components may not be CE marked. Additionally, the part numbers that TE has identified as EU ELV compliant have a maximum concentration of 0.1% by weight in homogenous materials for lead, hexavalent chromium, and mercury, and 0.01% for cadmium, or qualify for an exemption to these limits as defined in the Annexes of Directive 2000/53/EC (ELV). Regarding the REACH Regulation, the information TE provides on SVHC in articles for this part number is based on the latest European Chemicals Agency (ECHA) 'Guidance on requirements for substances in articles' posted at this URL: <https://echa.europa.eu/guidance-documents/guidance-on-reach>

Compatible Parts



TE Part # 1-1579007-4
EXTRACTION TOOL



TE Part # 4-1579007-3
EXTRACTION TOOL KIT



TE Part # 151667-2
FF 375 REC 4-6MM2 TPBR



TE Part # 539745-2
DIE F6.3FF REC.



TE Part # 63467-1
FF 250 REC 14-10AWG TPBR



TE Part # 180398-2
FF 250 REC 1-2.5MM2 TPBR



TE Part # 2-2150402-1
OCEAN-2.0-APPLICATOR-E-160F220F



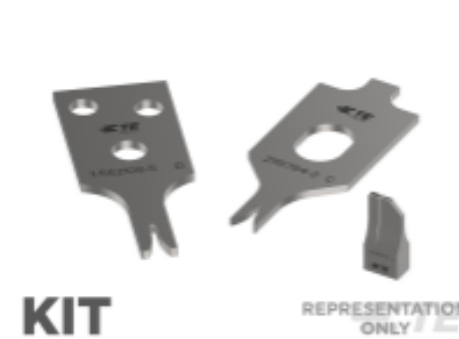
TE Part # 2-2150402-2
OCEAN-2.0-APPLICATOR-E-160F220F



TE Part # 2150402-1
OCEAN-2.0-APPLICATOR-E-160F220F



TE Part # 2150402-2
OCEAN-2.0-APPLICATOR-E-160F220F



KIT
 REPRESENTATION ONLY
 TE Part # 7-2150402-7
 OCEAN_2.0_SPARE_PART_KIT-160F220F

Also in the Series | **FASTIN-FASTON 250**



Crimp Terminal Housings(211)



Insertion & Extraction Tools(2)

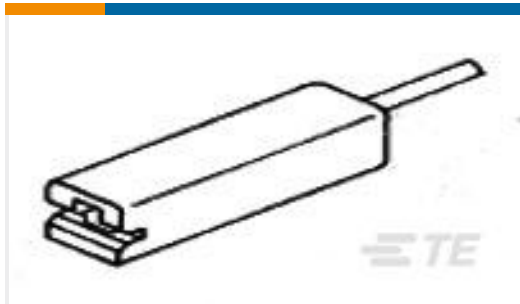


PCB Terminals(2)

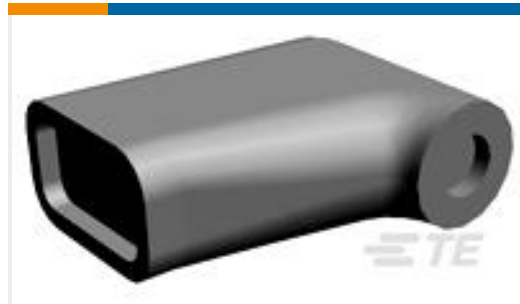


Quick Disconnects(254)

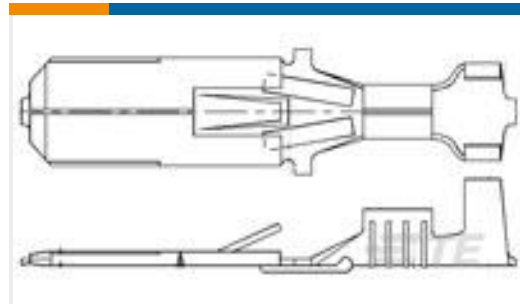
Customers Also Bought



TE Part #1-480417-0
 110 FASTON HSG.,REC.,1 POS,
 NATRUAL



TE Part #170891-2
 250 FASTON HSG.,FLAG,REC.,
 NATRUAL



TE Part #280081-2
 FF 250 TAB 0.8-2MM2 TPBR



TE Part #1623929-2
 CFR200 5% 100R



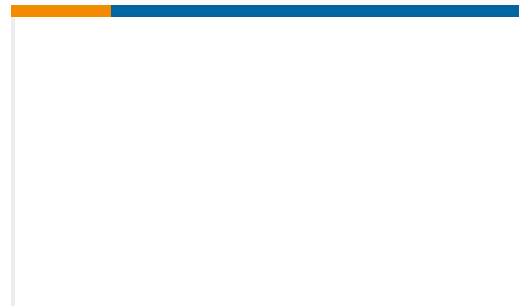
TE Part #2-1625890-4
 2W SM M/OX 5% 1K8



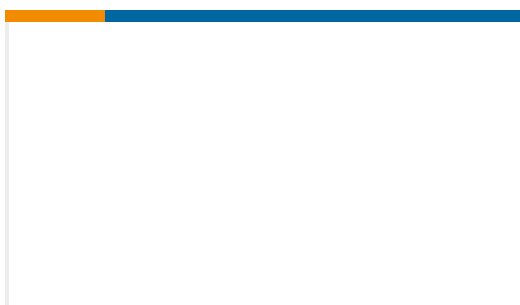
TE Part #927831-1
 SPT REC 6.3 Contact SRC Sn



TE Part #1718348-3
 MCON 1.2 CB TAB STC AG



TE Part #827039-2
 CIC.SOCKET ASSY.



TE Part #CB3126-000
 D-1744-02-LF

Documents

Product Drawings

[FF 250 REC 4-6MM2 TPBR](#)

English

CAD Files

[Customer View Model](#)

[ENG_CVM_CVM_160914-2_M.2d_dxf.zip](#)

English

[3D PDF](#)



3D

Customer View Model

[ENG_CVM_CVM_160914-2_M.3d_igs.zip](#)

English

Customer View Model

[ENG_CVM_CVM_160914-2_M.3d_stp.zip](#)

English

By downloading the CAD file I accept and agree to the [Terms and Conditions](#) of use.

Datasheets & Catalog Pages

[FASTIN_FASTON_Product_Line](#)

English

Product Specifications

[Application Specification](#)

German

Product Environmental Compliance

[MD_160914-2_022720182350_dmtec](#)

English

[MD_160914-2_022720182350_dmtec](#)

English