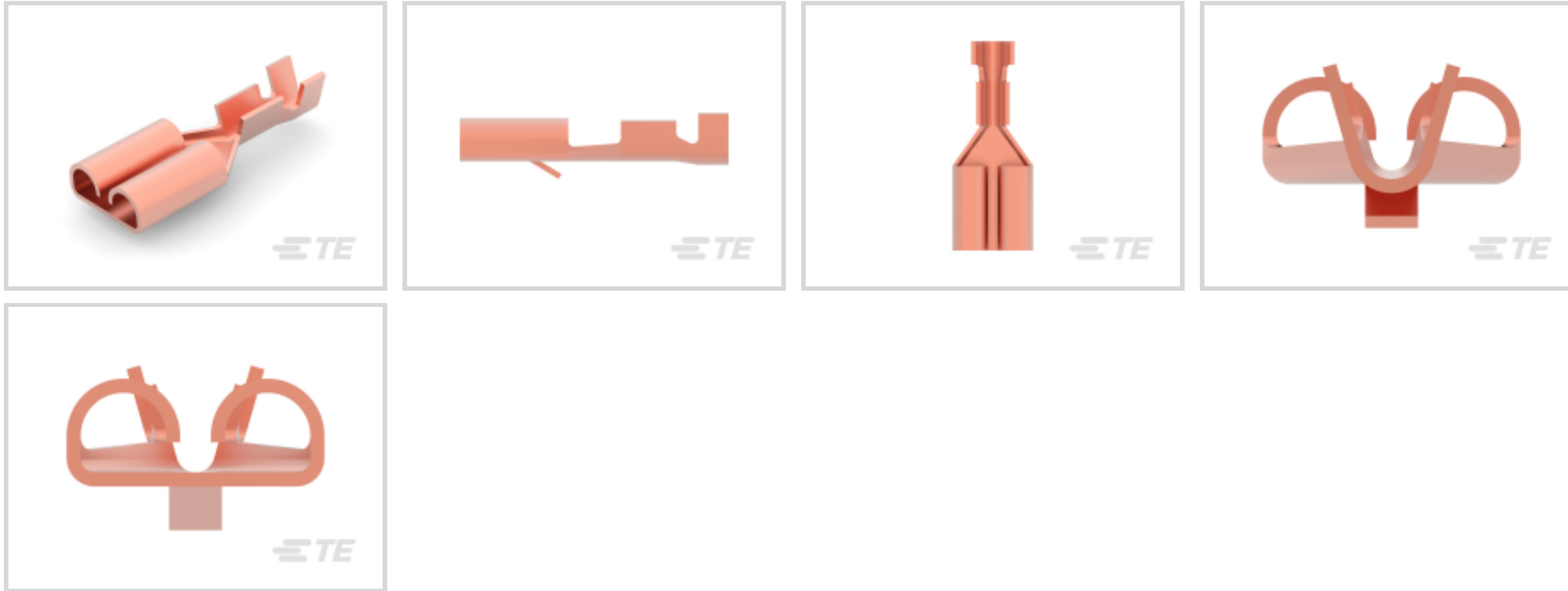




Terminals & Splices > Quick Disconnects



Quick Disconnect Terminal Type: **Receptacle**

Wire Size: **.51 – 1.03 mm²**

Mating Tab Width: **6.35 mm [.25 in]**

Mating Tab Thickness: **.81 mm [.032 in]**

Features

Product Type Features

Insertion Force	Normal
-----------------	--------

Configuration Features

Connection Capacity	Single
Compatible With Wire & Cable Type	Discrete Wire

Contact Features

Quick Disconnect Terminal Type	Receptacle
Mating Tab Width	6.35 mm [.25 in]
Mating Tab Thickness	.81 mm [.032 in]
Terminal Orientation	Straight
Contact Base Material	Brass
Terminal Plating Material	Unplated
Crimp Type	F-Crimp
Barrel Type	Open

Termination Features

--	--



Product Terminates To	Wire & Cable
-----------------------	--------------

Mechanical Attachment

	.057 in
--	---------

Wire Insulation Support	With
-------------------------	------

Mating Retention Type	Locking Lance
-----------------------	---------------

Dimensions

Terminal Material Thickness	.41 mm[.016 in]
-----------------------------	-----------------

Product Length	19.2 mm[.755 in]
----------------	------------------

Compatible Insulation Diameter Range	1.4 – 2.3 mm[.055 – .09 in]
--------------------------------------	-----------------------------

Wire Size	.51 – 1.03 mm ²
-----------	----------------------------

Usage Conditions

Insulation Option	Uninsulated
-------------------	-------------

Operating Temperature Range	-40 – 110 °C[-40 – 230 °F]
-----------------------------	----------------------------

Packaging Features

Packaging Quantity	5000
--------------------	------

Packaging Method	Strip/Reel
------------------	------------

Other

Terminals & Splices Comment	Chamfered, With dimple
-----------------------------	------------------------

Product Compliance

[For compliance documentation, visit the product page on TE.com>](#)

EU RoHS Directive 2011/65/EU	Compliant
------------------------------	-----------

EU ELV Directive 2000/53/EC	Compliant
-----------------------------	-----------

China RoHS 2 Directive MIIT Order No 32, 2016	No Restricted Materials Above Threshold
---	---

EU REACH Regulation (EC) No. 1907/2006	Current ECHA Candidate List: JUNE 2023 (235) Candidate List Declared Against: JUNE 2023 (235) Does not contain REACH SVHC
--	---

Halogen Content	Low Halogen - Br, Cl, F, I < 900 ppm per homogenous material. Also BFR/CFR/PVC Free
-----------------	---

Solder Process Capability	Not applicable for solder process capability
---------------------------	--

Product Compliance Disclaimer

This information is provided based on reasonable inquiry of our suppliers and represents our current actual knowledge based on the information they provided. This information is subject to change. The part numbers that TE has identified as EU RoHS compliant have a maximum concentration of 0.1% by weight in homogenous materials for lead, hexavalent chromium, mercury, PBB, PBDE, DBP, BBP, DEHP, DIBP, and 0.01% for cadmium, or qualify for an exemption to these limits as defined in the Annexes of Directive 2011/65/EU (RoHS2). Finished electrical and electronic equipment products will be CE marked as required by Directive 2011/65/EU. Components may not be CE marked. Additionally, the part numbers that TE has identified as EU ELV compliant have a maximum concentration of 0.1% by weight in homogenous materials for lead, hexavalent chromium, and mercury, and 0.01% for cadmium, or qualify for an exemption to these limits as defined in the Annexes of Directive 2000/53/EC (ELV). Regarding the REACH Regulation, the information TE provides on SVHC in articles for this part number is based on the latest European Chemicals Agency (ECHA) 'Guidance on requirements for substances in articles' posted at this URL: <https://echa.europa.eu/guidance-documents/guidance-on-reach>

Compatible Parts



TE Part # 1-1579007-4
EXTRACTION TOOL



TE Part # 4-1579007-3
EXTRACTION TOOL KIT



TE Part # 626328-2
FF 250 RECEPTACLE 4.0-6.0 MM2
TPBR



TE Part # 626094-2
FF .250 REC 0.5 / 1.0 MM2 0.32X19.3
TPBR



TE Part # 63467-1
FF 250 REC 14-10AWG TPBR



TE Part # 160871-6
FF 250 REC TERMINAL FLAG 20-17
TPBR



TE Part # 2150193-1
OCEAN_2.0_Applicator-E-080F1100V



TE Part # 2150193-2
OCEAN_2.0_Applicator-E-080F1100V



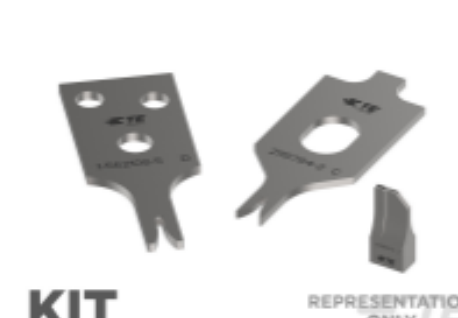
TE Part # 626094-1
TERMINAL, .250 FASTIN-ON REC



TE Part # 7-2150193-1
OCEAN_2.0_Applicator-E-080F1100V



TE Part # 7-2150193-2
OCEAN_2.0_Applicator-E-080F1100V



TE Part # 7-2150193-7
OCEAN_2.0_SPARE_PART_KIT-
080F1100V



TE Part # 2-2150193-1
OCEAN_2.0_Applicator-E-080F1100V

Also in the Series | FASTIN-FASTON 250



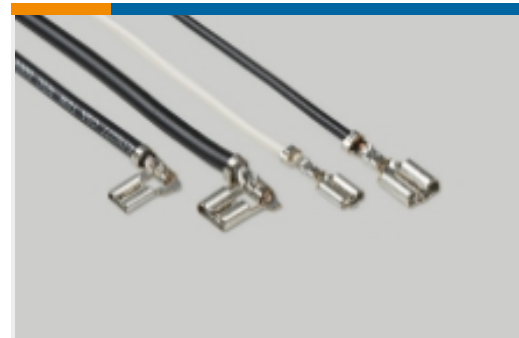
Crimp Terminal Housings(211)



Insertion & Extraction Tools(2)



PCB Terminals(2)



Quick Disconnects(254)

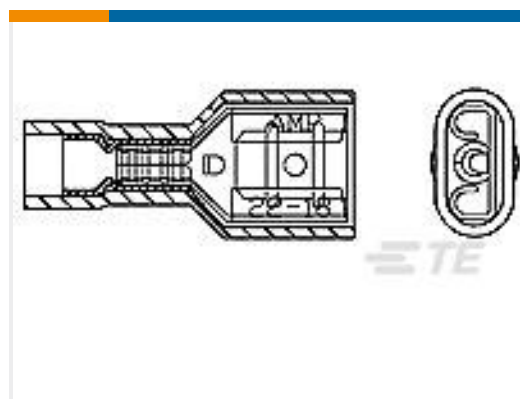
Customers Also Bought



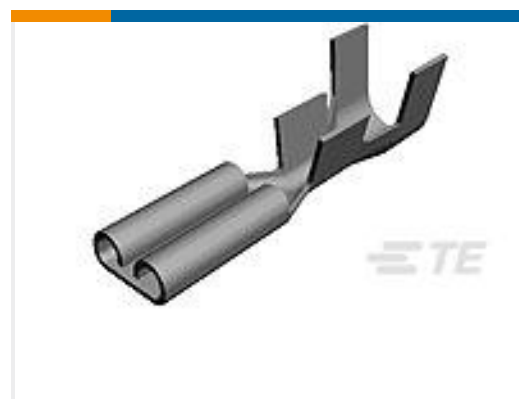
TE Part #1011-249-1205
BKSHL, 12P, BLK, REC,ST, NW10/13/17



TE Part #969191-2
FLA-STE-GEH2,8 8P



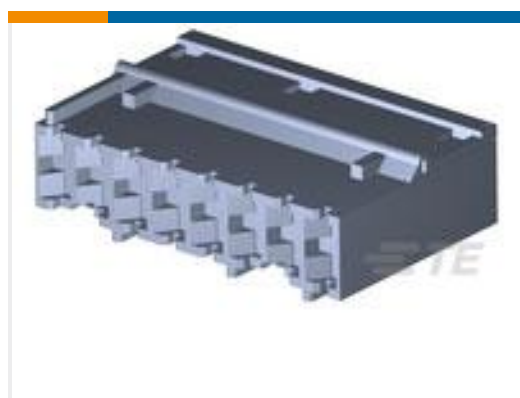
TE Part #735278-1
ISOL FASTON STECKH



TE Part #180423-2
110 FASTON,REC.,20-16 AWG,TPBR



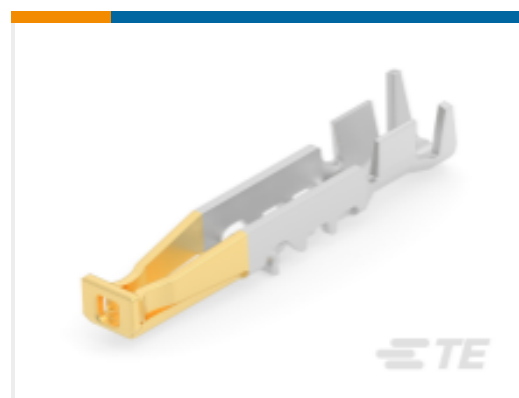
TE Part #1060-16-0622
PIN, SF, SIZE 16, 16-20, NI/SN



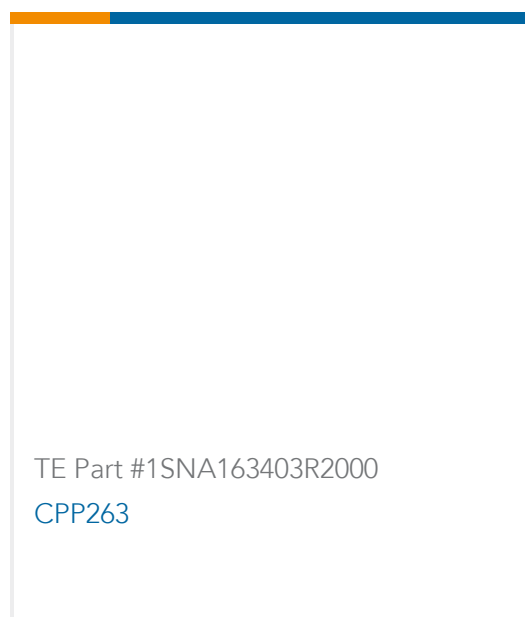
TE Part #3-928343-8
STD-TIMER GEH 8P



TE Part #5-154509-4
250 FASTON HSG. REC 1P BLACK



TE Part #464763-E
SRCROL A 2,54 2 C2022 500 137 *
9999 J 2



TE Part #1SNA163403R2000
CPP263

Documents

Product Drawings

6,35 FASTIN-FASTON RECEP

English

CAD Files

3D PDF

3D



Customer View Model

[ENG_CVM_CVM_160860-3_M.2d_dxf.zip](#)

English

Customer View Model

[ENG_CVM_CVM_160860-3_M.3d_igs.zip](#)

English

Customer View Model

[ENG_CVM_CVM_160860-3_M.3d_stp.zip](#)

English

By downloading the CAD file I accept and agree to the [Terms and Conditions](#) of use.

Datasheets & Catalog Pages

[1654742_HOUSEHOLD_APPLIANCES_RAST5](#)

English

Product Specifications

[Application Specification](#)

English

[FASTIN-FASTON 110, 187, 205 And 312 Series Receptacle Contacts](#)

English

Agency Approvals

[UL Report](#)

English