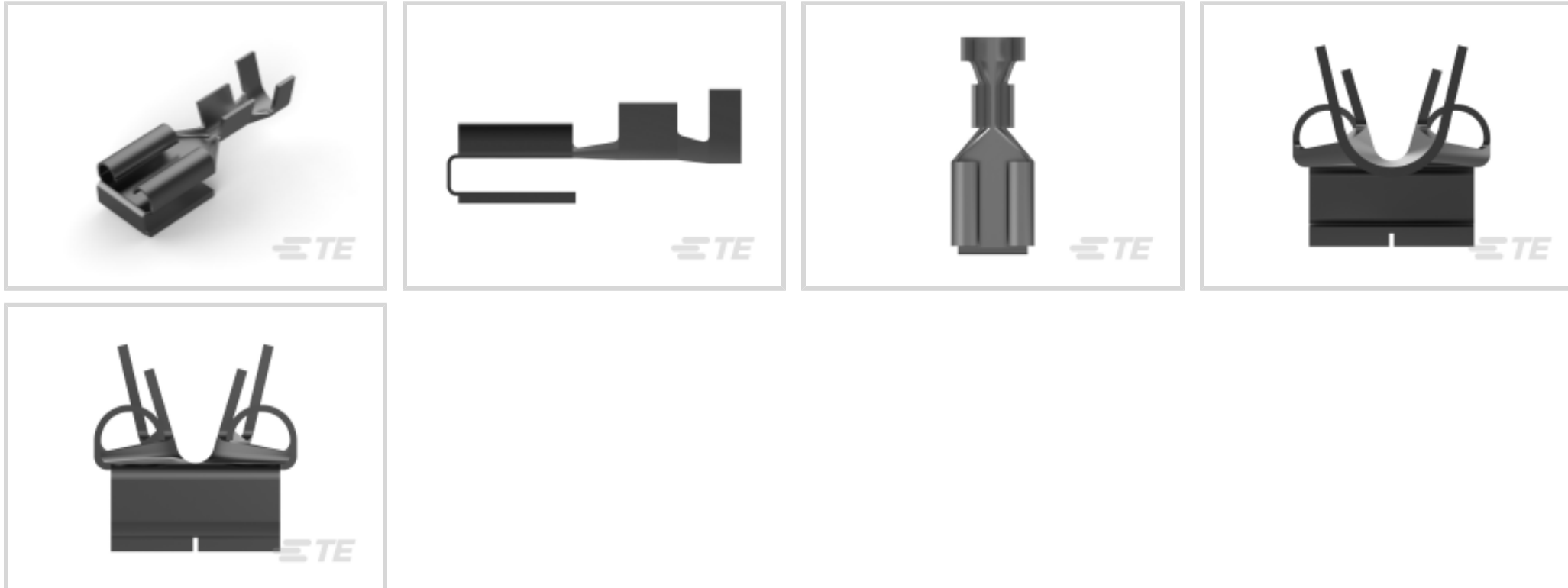




Terminals & Splices > Quick Disconnects



Quick Disconnect Terminal Type: **Tab & Receptacle**

Wire Size: .75 – 2.5 mm²

Mating Tab Width: 6.35 mm [.25 in]

Mating Tab Thickness: .81 mm [.032 in]

Features

Product Type Features

Insertion Force	Normal
-----------------	--------

Configuration Features

Connection Capacity	Single
Compatible With Wire & Cable Type	Discrete Wire

Contact Features

Quick Disconnect Terminal Type	Tab & Receptacle
Mating Tab Width	6.35 mm [.25 in]
Mating Tab Thickness	.81 mm [.032 in]
Terminal Orientation	Piggyback
Contact Base Material	Brass
Terminal Plating Material	Tin
Crimp Type	F-Crimp
Barrel Type	Open

Termination Features

--	--



Product Terminates To	Wire & Cable
-----------------------	--------------

Mechanical Attachment

Extraction Force	80 Newton
------------------	-----------

Wire Insulation Support	With
-------------------------	------

Mating Retention Type	Dimple
-----------------------	--------

Dimensions

Terminal Material Thickness	.4 mm[.015 in]
-----------------------------	----------------

Product Length	20.1 mm[.791 in]
----------------	------------------

Compatible Insulation Diameter Range	3 – 4.3 mm[.118 – .169 in]
--------------------------------------	----------------------------

Wire Size	.75 – 2.5 mm ²
-----------	---------------------------

Usage Conditions

Insulation Option	Uninsulated
-------------------	-------------

Operating Temperature Range	-40 – 110 °C[-40 – 230 °F]
-----------------------------	----------------------------

Industry Standards

Agency/Standard	CSA, UL
-----------------	---------

Packaging Features

Packaging Quantity	1500
--------------------	------

Packaging Method	Strip/Reel
------------------	------------

Other

Line	Premier
------	---------

Product Compliance

[For compliance documentation, visit the product page on TE.com>](#)

EU RoHS Directive 2011/65/EU	Compliant
------------------------------	-----------

EU ELV Directive 2000/53/EC	Compliant
-----------------------------	-----------

China RoHS 2 Directive MIIT Order No 32, 2016	No Restricted Materials Above Threshold
---	---

EU REACH Regulation (EC) No. 1907/2006	Current ECHA Candidate List: JUNE 2023 (235) Candidate List Declared Against: JUNE 2023 (235) Does not contain REACH SVHC
--	---

Halogen Content	Low Halogen - Br, Cl, F, I < 900 ppm per homogenous material. Also BFR/CFR/PVC Free
-----------------	---



Solder Process Capability

Not applicable for solder process capability

Product Compliance Disclaimer

This information is provided based on reasonable inquiry of our suppliers and represents our current actual knowledge based on the information they provided. This information is subject to change. The part numbers that TE has identified as EU RoHS compliant have a maximum concentration of 0.1% by weight in homogenous materials for lead, hexavalent chromium, mercury, PBB, PBDE, DBP, BBP, DEHP, DIBP, and 0.01% for cadmium, or qualify for an exemption to these limits as defined in the Annexes of Directive 2011/65/EU (RoHS2). Finished electrical and electronic equipment products will be CE marked as required by Directive 2011/65/EU. Components may not be CE marked. Additionally, the part numbers that TE has identified as EU ELV compliant have a maximum concentration of 0.1% by weight in homogenous materials for lead, hexavalent chromium, and mercury, and 0.01% for cadmium, or qualify for an exemption to these limits as defined in the Annexes of Directive 2000/53/EC (ELV). Regarding the REACH Regulation, the information TE provides on SVHC in articles for this part number is based on the latest European Chemicals Agency (ECHA) 'Guidance on requirements for substances in articles' posted at this URL: <https://echa.europa.eu/guidance-documents/guidance-on-reach>

Compatible Parts

TE Part # 2305570-1
Strip Terminal Cutter-Side Feed-No Crimp

TE Part # 151321-1
250 FASTON, FLAG, P-BACK REC., 18-14 AWG, BR

TE Part # 2-2836860-2
OCEAN_2.0_APPLICATOR-S-110F180F

TE Part # 2376595-2
250 FASTON PCB TAB TPBR

TE Part # 2836860-2
OCEAN_2.0_APPLICATOR-S-110F180F

TE Part # 7-2836860-2
OCEAN_2.0_APPLICATOR-S-110F180F

TE Part # 7-2836860-7
OCEAN_2.0_SPARE_PART_KIT-110F180F

TE Part # 880682-1
FASTON 250 PIGGY-BACK REC 0.5-1.0 MM2 BR

Also in the Series | FASTON 250

Compression Connectors(4)

Crimp Terminal Housings(142)

Insertion & Extraction Tools(6)

Magnet Wire Terminals(1)



PCB Terminals(135)

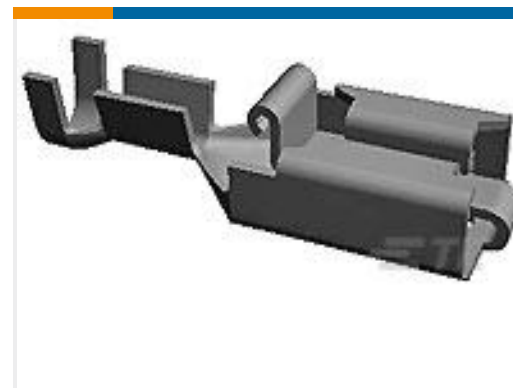
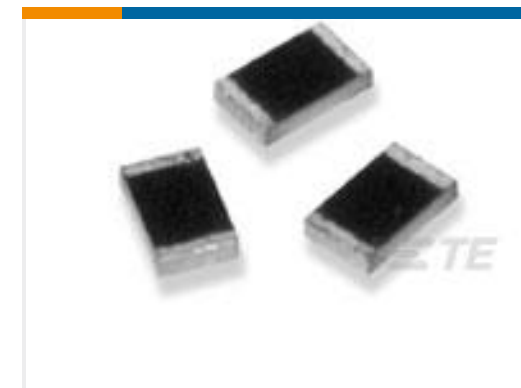
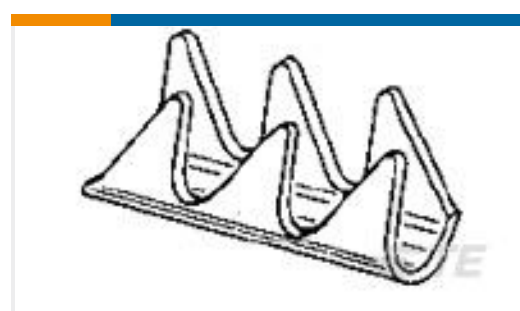
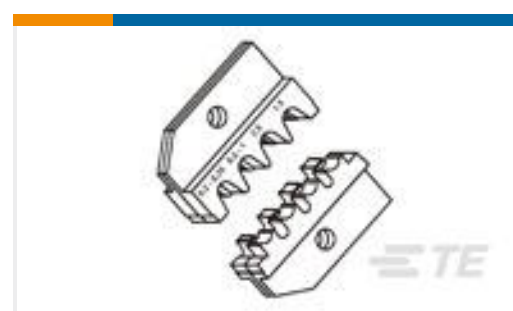


Quick Disconnects(445)



Splices(4)

Customers Also Bought

TE Part #7-1393211-4
T92P7D32-24TE Part #160108-2
RING TONGUE IS 20-16 0.0253 X.940
TPBRTE Part #154717-3
PL 250 REC TERMINAL 14-11 AWG
TPBRTE Part #2-1879259-8
RP 2B 1K5 0.1% 15PPM CUT LENGTH
TPBRTE Part #2-165655-1
PIDG RING TONGUETE Part #926933-1
WIRE PIN 18-17 AWG .01 PTPBTE Part #539737-2
ERGO DIE JPTTE Part #839220-E
IDCCS SRC 1,27 4 * SPX SPX 150 PVC

Documents

Product Drawings

250 FASTON,PIGGYBACK REC.,18-14 AWG,TPBR

English

CAD Files

3D PDF

3D

Customer View Model

[ENG_CVM_CVM_160739-2_AD_c-160739-2-ad.2d_dxf.zip](#)

English

Customer View Model

[ENG_CVM_CVM_160739-2_AD_c-160739-2-ad.3d_igs.zip](#)

English

Customer View Model

[ENG_CVM_CVM_160739-2_AD_c-160739-2-ad.3d_stp.zip](#)

English

By downloading the CAD file I accept and agree to the [Terms and Conditions](#) of use.



Datasheets & Catalog Pages

[1654742_HOUSEHOLD_APPLIANCES_RAST5](#)

English

Product Specifications

[Application Specification](#)

English

Product Environmental Compliance

[MD_160739-2_0505201663_dmtec](#)

English

[MD_160739-2_0505201663_dmtec](#)

English

Agency Approvals

[Agency Approval Document](#)

English