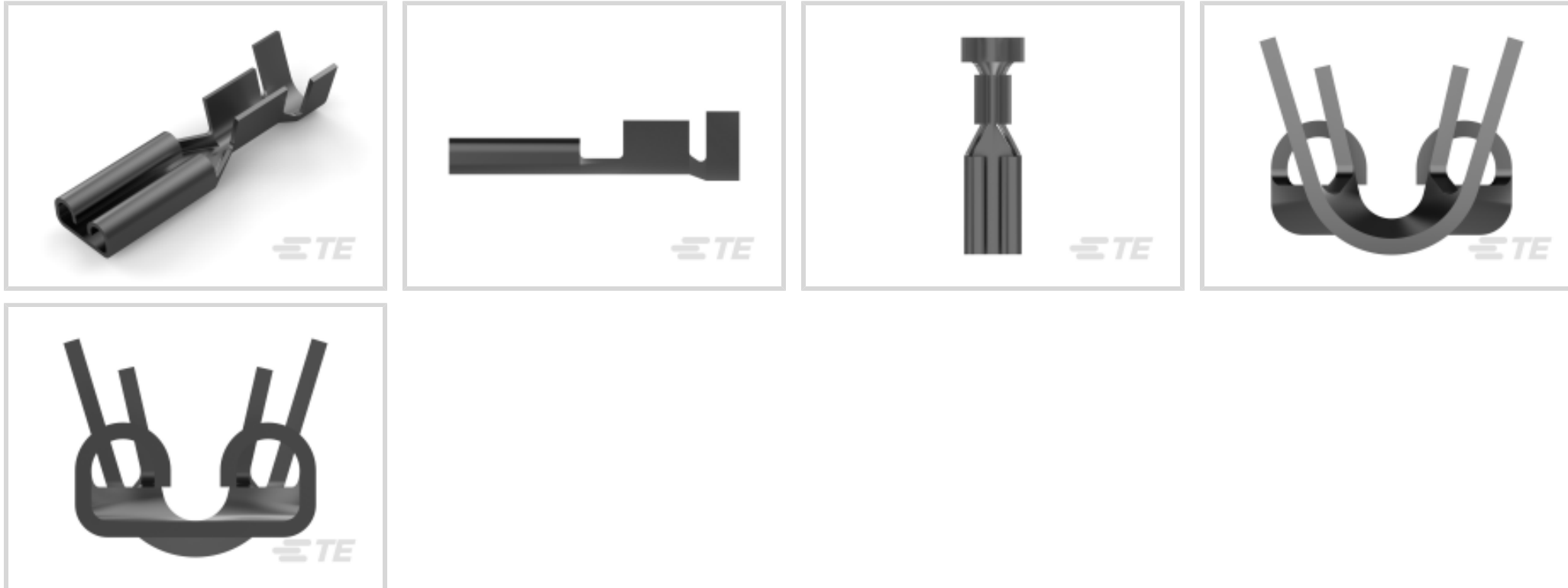




Terminals & Splices > Quick Disconnects



Quick Disconnect Terminal Type: **Receptacle**

Wire Size: .5 – 1 mm²

Mating Tab Width: 2.8 mm [.11 in]

Mating Tab Thickness: .51 mm [.02 in]

Features

Product Type Features

Insertion Force	Normal
-----------------	--------

Configuration Features

Connection Capacity	Single
Compatible With Wire & Cable Type	Discrete Wire

Electrical Characteristics

Voltage Rating	250 V
----------------	-------

Contact Features

Quick Disconnect Terminal Type	Receptacle
Mating Tab Width	2.8 mm [.11 in]
Mating Tab Thickness	.51 mm [.02 in]
Terminal Orientation	Straight
Contact Base Material	Brass
Terminal Plating Material	Tin
Crimp Type	F-Crimp



Barrel Type	Open
-------------	------

Termination Features

Product Terminates To	Wire & Cable
-----------------------	--------------

Mechanical Attachment

Wire Insulation Support	With
-------------------------	------

Mating Retention Type	Dimple
-----------------------	--------

Dimensions

Terminal Material Thickness	.25 mm[.01 in]
-----------------------------	----------------

Product Length	14 mm[.551 in]
----------------	----------------

Compatible Insulation Diameter Range	2.03 – 3 mm[.08 – .118 in]
--------------------------------------	----------------------------

Wire Size	.5 – 1 mm ²
-----------	------------------------

Usage Conditions

Insulation Option	Uninsulated
-------------------	-------------

Operating Temperature Range	-40 – 110 °C[-40 – 230 °F]
-----------------------------	----------------------------

Industry Standards

Agency/Standard	CSA, UL
-----------------	---------

UL Flammability Rating	UL 94V-2
------------------------	----------

Packaging Features

Packaging Quantity	10000
--------------------	-------

Packaging Method	Strip/Reel
------------------	------------

Other

Terminals & Splices Comment	Chamfered, Versions according to DIN 46247, Part 1, all other versions have dimples, which fit IEC and ISO tabs of nominal Size 2.8.
-----------------------------	--

Product Compliance

[For compliance documentation, visit the product page on TE.com>](#)

EU RoHS Directive 2011/65/EU	Compliant
------------------------------	-----------

EU ELV Directive 2000/53/EC	Compliant
-----------------------------	-----------

China RoHS 2 Directive MIIT Order No 32, 2016	No Restricted Materials Above Threshold
---	---

EU REACH Regulation (EC) No. 1907/2006	Current ECHA Candidate List: JUNE 2023 (235)
--	--



Candidate List Declared Against: JUNE 2023 (235)

Does not contain REACH SVHC

Halogen Content

Low Halogen - Br, Cl, F, I < 900 ppm per homogenous material. Also BFR/CFR/PVC Free

Solder Process Capability

Not applicable for solder process capability

Product Compliance Disclaimer

This information is provided based on reasonable inquiry of our suppliers and represents our current actual knowledge based on the information they provided. This information is subject to change. The part numbers that TE has identified as EU RoHS compliant have a maximum concentration of 0.1% by weight in homogenous materials for lead, hexavalent chromium, mercury, PBB, PBDE, DBP, BBP, DEHP, DIBP, and 0.01% for cadmium, or qualify for an exemption to these limits as defined in the Annexes of Directive 2011/65/EU (RoHS2). Finished electrical and electronic equipment products will be CE marked as required by Directive 2011/65/EU. Components may not be CE marked. Additionally, the part numbers that TE has identified as EU ELV compliant have a maximum concentration of 0.1% by weight in homogenous materials for lead, hexavalent chromium, and mercury, and 0.01% for cadmium, or qualify for an exemption to these limits as defined in the Annexes of Directive 2000/53/EC (ELV). Regarding the REACH Regulation, the information TE provides on SVHC in articles for this part number is based on the latest European Chemicals Agency (ECHA) 'Guidance on requirements for substances in articles' posted at this URL: <https://echa.europa.eu/guidance-documents/guidance-on-reach>

Compatible Parts



TE Part # 160597-4
110 FASTON,REC.,30-26 AWG,TPBR



TE Part # 737107-1
110 FASTON REC 20-17 AWG BR



TE Part # 151614-1
110 MINI FASTON,REC.,24-20 AWG, PTBR



TE Part # 63202-2
110 FASTON REC 18-14 AWG TPBR



TE Part # 444149-2
.110S FASTON REC



TE Part # 180436-2
110 FASTON,REC.,26-18 AWG,TPBR



TE Part # 151614-2
110 MINI FASTON,REC.,24-20 AWG,BR



TE Part # 2150203-1
OCEAN_2.0_APPLICATOR-E-070F120F




TE Part # 2150203-2
 OCEAN_2.0_APPLICATOR-E-070F120FA



TE Part # 7-2150203-1
 OCEAN_2.0_APPLICATOR-E-070F120F



TE Part # 7-2150203-2
 OCEAN_2.0_APPLICATOR-E-070F120FA



KIT
 REPRESENTATION ONLY

TE Part # 7-2150203-7
 OCEAN_2.0_SPARE_PART_KIT-070F120F




TE Part # 881608-2
 .110 S. FASTON REC.




TE Part # 2-2150203-1
 OCEAN_2.0_APPLICATOR-E-070F120F


Also in the Series | **FASTON 110**




Crimp Terminal Housings(13)



Insertion & Extraction Tools(1)



PCB Terminals(21)



Quick Disconnects(171)

Customers Also Bought



TE Part #925387-1
 110 FASTON HSG. REC. 1P CLEAR



TE Part #1-180908-0
 FF 250 TAB HSG 2P NYLON NAT



TE Part #5-160555-2
 110 FASTON REC 20-18 AWG TPBR



TE Part #5-160432-4
 250 FASTON REC 20-16 AWG TPBR



TE Part #171706-1
 FASTON 250 INS POD NYLON NAT



TE Part #1-111504-5
 014 UNIV I/O 30DP NO EARS LTCH



TE Part #3-534206-2
 64 MODII VRT DR CE 100/115



TE Part #280268-2
 RING TONGUE 4-6MM2 0.0276X0.650 TPBR



Documents

Product Drawings

[110 FASTON,REC.,20-17 AWG,TPBR](#)

English

CAD Files

[3D PDF](#)

3D

[Customer View Model](#)

[ENG_CVM_CVM_160533-2_AG.2d_dxf.zip](#)

English

[Customer View Model](#)

[ENG_CVM_CVM_160533-2_AG.3d_igs.zip](#)

English

[Customer View Model](#)

[ENG_CVM_CVM_160533-2_AG.3d_stp.zip](#)

English

By downloading the CAD file I accept and agree to the [Terms and Conditions](#) of use.

Datasheets & Catalog Pages

[1654742_HOUSEHOLD_APPLIANCES_RAST5](#)

English

Product Specifications

[FASTON Receptacle Contacts, 110 Series](#)

English

[.110,.187 & 250 Series FASTON Terminals](#)

English

[Product Specification](#)

English

Product Environmental Compliance

[Product Compliance](#)

English

[Product Compliance](#)

English



[Agency Approvals](#)

[UL Report](#)

English