

160533-1 ✓ ACTIVE

FASTON | FASTON 110

TE Internal #: 160533-1

Quick Disconnects, Receptacle, 20 – 17 AWG Wire Size, .5 – 1. mm<sup>2</sup>

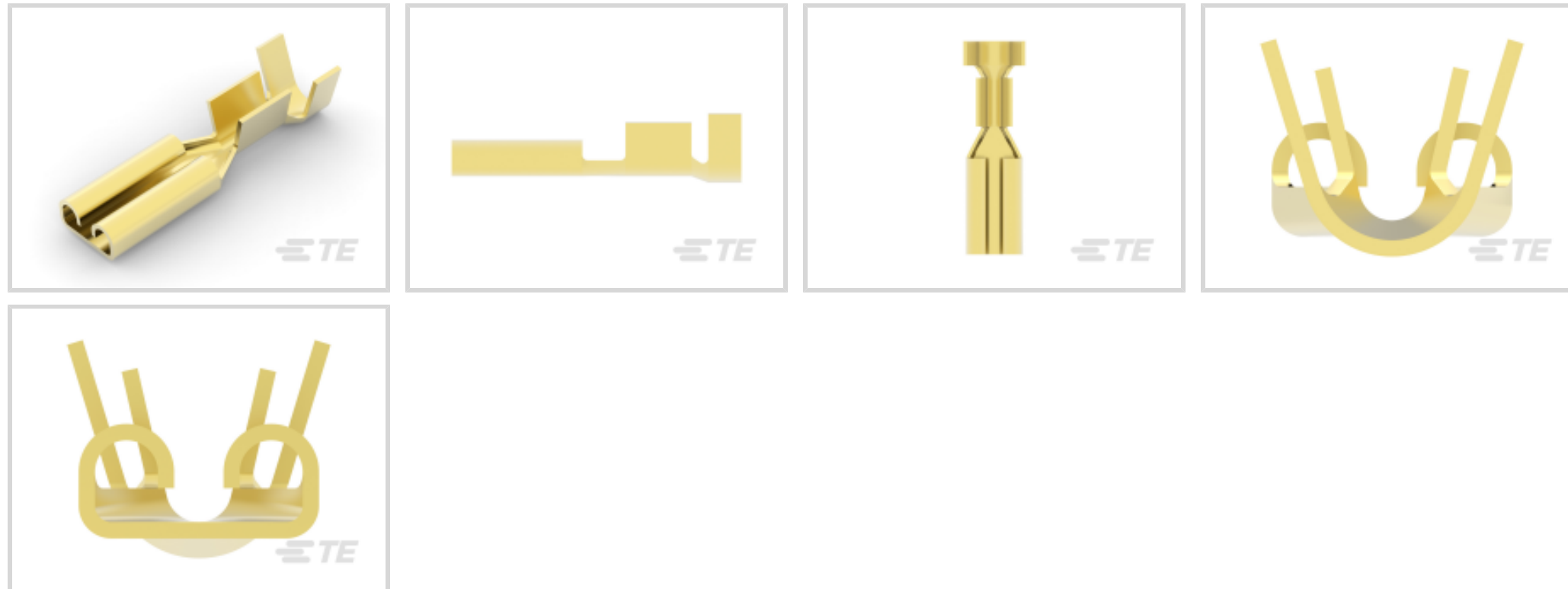
Wire Size, Mating Tab Width 2.8 mm [.11 in], Straight, Brass,

FASTON 110

[View on TE.com >](#)



Terminals & Splices > Quick Disconnects



Quick Disconnect Terminal Type: **Receptacle**

Wire Size: .5 – 1. mm<sup>2</sup>

Mating Tab Width: 2.8 mm [.11 in]

Mating Tab Thickness: .51 mm [.02 in]

## Features

### Product Type Features

Insertion Force	Normal
-----------------	--------

### Configuration Features

Connection Capacity	Single
Compatible With Wire & Cable Type	Discrete Wire

### Electrical Characteristics

Voltage Rating	250 V
----------------	-------

### Contact Features

Quick Disconnect Terminal Type	Receptacle
Mating Tab Width	2.8 mm [.11 in]
Mating Tab Thickness	.51 mm [.02 in]
Terminal Orientation	Straight
Contact Base Material	Brass
Terminal Plating Material	Unplated
Crimp Type	F-Crimp



Barrel Type	Open
-------------	------

### Termination Features

Product Terminates To	Wire & Cable
-----------------------	--------------

### Mechanical Attachment

Wire Insulation Support	With
-------------------------	------

Mating Retention Type	Dimple
-----------------------	--------

### Dimensions

Terminal Material Thickness	.25 mm[.01 in]
-----------------------------	----------------

Product Length	14 mm[.551 in]
----------------	----------------

Compatible Insulation Diameter Range	2.03 – 3 mm[.08 – .118 in]
--------------------------------------	----------------------------

Wire Size	.5 – 1. mm <sup>2</sup>
-----------	-------------------------

### Usage Conditions

Insulation Option	Uninsulated
-------------------	-------------

Operating Temperature Range	-40 – 110 °C[-40 – 230 °F]
-----------------------------	----------------------------

### Industry Standards

Agency/Standard	CSA, UL
-----------------	---------

UL Flammability Rating	UL 94V-2
------------------------	----------

### Packaging Features

Packaging Quantity	10000
--------------------	-------

Packaging Method	Strip/Reel
------------------	------------

### Other

Line	Premier
------	---------

Terminals & Splices Comment	Chamfered, Versions according to DIN 46247, Part 1, all other versions have dimples, which fit IEC and ISO tabs of nominal Size 2.8.
-----------------------------	--

### Product Compliance

[For compliance documentation, visit the product page on TE.com>](#)

EU RoHS Directive 2011/65/EU	Compliant
------------------------------	-----------

EU ELV Directive 2000/53/EC	Compliant
-----------------------------	-----------

China RoHS 2 Directive MIIT Order No 32, 2016	No Restricted Materials Above Threshold
---	---

EU REACH Regulation (EC) No. 1907/2006	
--	--



Current ECHA Candidate List: JUNE 2023  
 (235)  
 Candidate List Declared Against: JUNE  
 2023 (235)  
 Does not contain REACH SVHC

Halogen Content  
 Low Halogen - Br, Cl, F, I < 900 ppm per  
 homogenous material. Also BFR/CFR/PVC  
 Free

Solder Process Capability  
 Not applicable for solder process capability

Product Compliance Disclaimer

This information is provided based on reasonable inquiry of our suppliers and represents our current actual knowledge based on the information they provided. This information is subject to change. The part numbers that TE has identified as EU RoHS compliant have a maximum concentration of 0.1% by weight in homogenous materials for lead, hexavalent chromium, mercury, PBB, PBDE, DBP, BBP, DEHP, DIBP, and 0.01% for cadmium, or qualify for an exemption to these limits as defined in the Annexes of Directive 2011/65/EU (RoHS2). Finished electrical and electronic equipment products will be CE marked as required by Directive 2011/65/EU. Components may not be CE marked. Additionally, the part numbers that TE has identified as EU ELV compliant have a maximum concentration of 0.1% by weight in homogenous materials for lead, hexavalent chromium, and mercury, and 0.01% for cadmium, or qualify for an exemption to these limits as defined in the Annexes of Directive 2000/53/EC (ELV). Regarding the REACH Regulation, the information TE provides on SVHC in articles for this part number is based on the latest European Chemicals Agency (ECHA) 'Guidance on requirements for substances in articles' posted at this URL: <https://echa.europa.eu/guidance-documents/guidance-on-reach>

## Compatible Parts



TE Part # 160597-4  
 110 FASTON, REC., 30-26 AWG, TPBR



TE Part # 737107-1  
 110 FASTON REC 20-17 AWG BR



TE Part # 881608-1  
 110 FASTON REC 20-17 AWG BR



TE Part # 737107-4  
 110 FASTON REC 20-17 AWG TPBR



TE Part # 180436-2  
 110 FASTON, REC., 26-18 AWG, TPBR



TE Part # 151614-2  
 110 MINI FASTON, REC., 24-20 AWG, BR



TE Part # 2150203-1  
 OCEAN\_2.0\_APPLICATOR-E-070F120F



TE Part # 2150203-2  
 OCEAN\_2.0\_APPLICATOR-E-070F120FA




TE Part # 7-2150203-1  
OCEAN\_2.0\_APPLICATOR-E-070F120F



TE Part # 7-2150203-2  
OCEAN\_2.0\_APPLICATOR-E-070F120FA



TE Part # 7-2150203-7  
OCEAN\_2.0\_SPARE\_PART\_KIT-070F120F




TE Part # 880682-1  
FASTON 250 PIGGY-BACK REC 0.5-1.0 MM2 BR




TE Part # 2-2150203-1  
OCEAN\_2.0\_APPLICATOR-E-070F120F


Also in the Series | **FASTON 110**



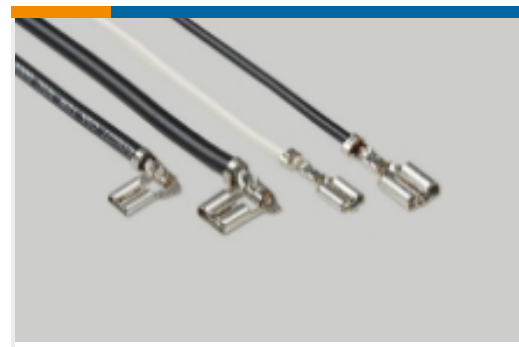
Crimp Terminal Housings(13)



Insertion & Extraction Tools(1)

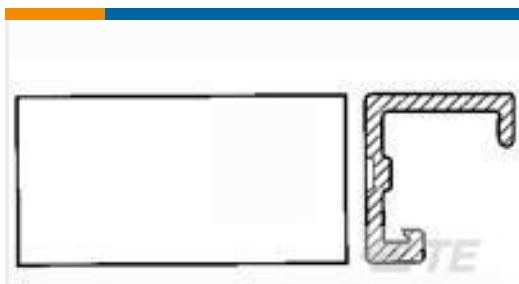


PCB Terminals(21)



Quick Disconnects(171)

Customers Also Bought



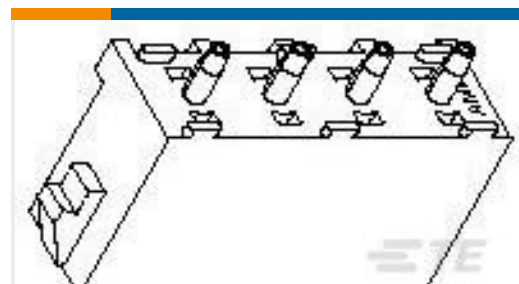
TE Part #640550-8  
08P MTA100 COVER



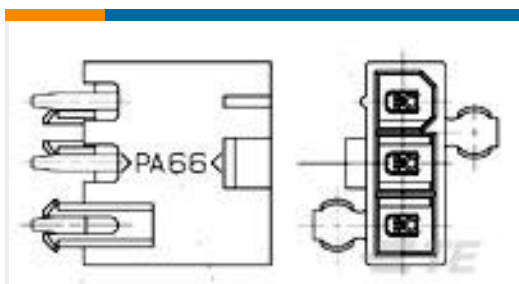
TE Part #926869-1  
UNIV.M-N-L.SOCKET



TE Part #5-160432-3  
250 FASTON REC 20-16 AWG BR



TE Part #1586963-1  
04P UMNL PIN HDR ASSY, GW



TE Part #2029181-5  
5P VAL-U-LOK VRTHDR W/PGS GW



TE Part #926868-1  
UNIV.M-N-L.PIN



TE Part #1-480416-0  
FASTON 250 REC HSG NYLON NAT



TE Part #5-1478763-1  
Metal backshell 9 way 45 Deg E



## Documents

### Product Drawings

[110 FASTON,REC.,20-17 AWG,BR](#)

English

---

### CAD Files

[3D PDF](#)

3D

Customer View Model

[ENG\\_CVM\\_CVM\\_160533-1\\_AG.2d\\_dxf.zip](#)

English

Customer View Model

[ENG\\_CVM\\_CVM\\_160533-1\\_AG.3d\\_igs.zip](#)

English

Customer View Model

[ENG\\_CVM\\_CVM\\_160533-1\\_AG.3d\\_stp.zip](#)

English

By downloading the CAD file I accept and agree to the [Terms and Conditions](#) of use.

---

### Product Specifications

[FASTON Receptacle Contacts, 110 Series](#)

English

[.110,.187 & 250 Series FASTON Terminals](#)

English

[Product Specification](#)

English

---

### Agency Approvals

[UL Report](#)

English