



AMP

TE Internal #: 1604972-1

Rectangular Connector Hardware, Wrench, 12 Position, -55 – 125 °C

[-67 – 257 °F]

[View on TE.com >](#)

Connectors > Rectangular Connectors > Rectangular Connector Accessories > Rectangular Connector Hardware



Connector Hardware Type: **Wrench**

Number of Positions: **12**

Operating Temperature Range: **-55 – 125 °C [-67 – 257 °F]**

Features

Configuration Features

Number of Positions	12
---------------------	----

Mechanical Attachment

Connector Hardware Type	Wrench
-------------------------	--------

Usage Conditions

Operating Temperature Range	-55 – 125 °C[-67 – 257 °F]
-----------------------------	----------------------------

Product Compliance

[For compliance documentation, visit the product page on TE.com>](#)

EU RoHS Directive 2011/65/EU	Compliant
EU ELV Directive 2000/53/EC	Out of Scope
China RoHS 2 Directive MIIT Order No 32, 2016	No Restricted Materials Above Threshold
EU REACH Regulation (EC) No. 1907/2006	Current ECHA Candidate List: JUNE 2023 (235) Candidate List Declared Against: JAN 2022 (223) Does not contain REACH SVHC
Halogen Content	Not Yet Reviewed for halogen content
Solder Process Capability	Not applicable for solder process capability

Product Compliance Disclaimer

This information is provided based on reasonable inquiry of our suppliers and represents our current actual knowledge based on the information they provided. This information is subject to change. The part numbers that TE has identified as EU RoHS compliant have a maximum concentration of 0.1% by weight in homogenous materials for lead, hexavalent

chromium, mercury, PBB, PBDE, DBP, BBP, DEHP, DIBP, and 0.01% for cadmium, or qualify for an exemption to these limits as defined in the Annexes of Directive 2011/65/EU (RoHS2). Finished electrical and electronic equipment products will be CE marked as required by Directive 2011/65/EU. Components may not be CE marked. Additionally, the part numbers that TE has identified as EU ELV compliant have a maximum concentration of 0.1% by weight in homogenous materials for lead, hexavalent chromium, and mercury, and 0.01% for cadmium, or qualify for an exemption to these limits as defined in the Annexes of Directive 2000/53/EC (ELV). Regarding the REACH Regulation, the information TE provides on SVHC in articles for this part number is based on the latest European Chemicals Agency (ECHA) 'Guidance on requirements for substances in articles' posted at this URL: <https://echa.europa.eu/guidance-documents/guidance-on-reach>

Customers Also Bought



TE Part #1757824-3
AMPLIMITE,ASY,RCPT,STD,90,ZN,3



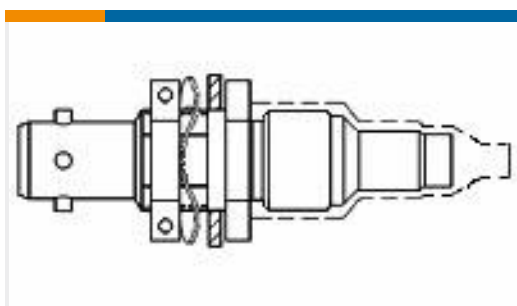
TE Part #1055687-1
2367 0000 54, VERT PLUG



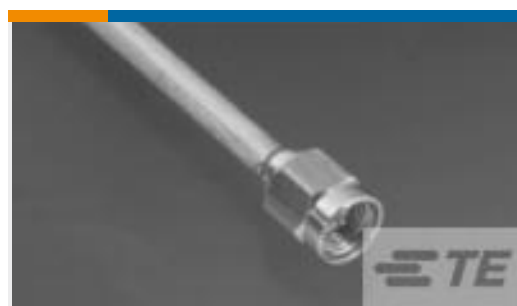
TE Part #8-1437627-4
G12KA=BUTTON GUARD KNURL
ALUM



TE Part #YDTS20F19-11PBV001
RECP ASSY



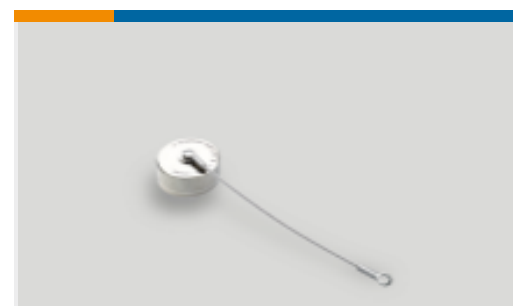
TE Part #638491-000
DK-621-0434-1P



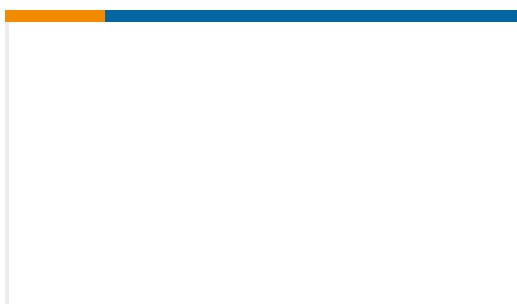
TE Part #1050525-1
2001 5003 02,SMA CABLE PLUG



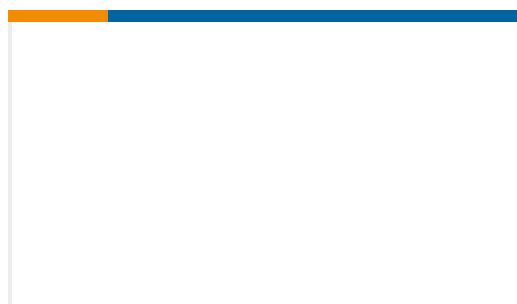
TE Part #212502-2
RECEPT ASSY,9C4,AMPLIMITE



TE Part #YDTS33Z15RV0010000
CAP ASSEMBLY



TE Part #1811726-2
1Q1 Quadrax Cable Assembly



TE Part #1423316-1
T92S11D22-36

Documents

Product Drawings

WRENCH,SPIGOT,JS & JACK POST

English

CAD Files

3D PDF

3D

Customer View Model

ENG_CVM_CVM_1604972-1_B.2d_dxf.zip



English

Customer View Model

[ENG_CVM_CVM_1604972-1_B.3d_igs.zip](#)

English

Customer View Model

[ENG_CVM_CVM_1604972-1_B.3d_stp.zip](#)

English

By downloading the CAD file I accept and agree to the [Terms and Conditions](#) of use.

Datasheets & Catalog Pages

[Quadrax Contacts, Connectors and Cables Brochure](#)

English