

1604043-4 ✓ ACTIVE

AMP Power Series - 175

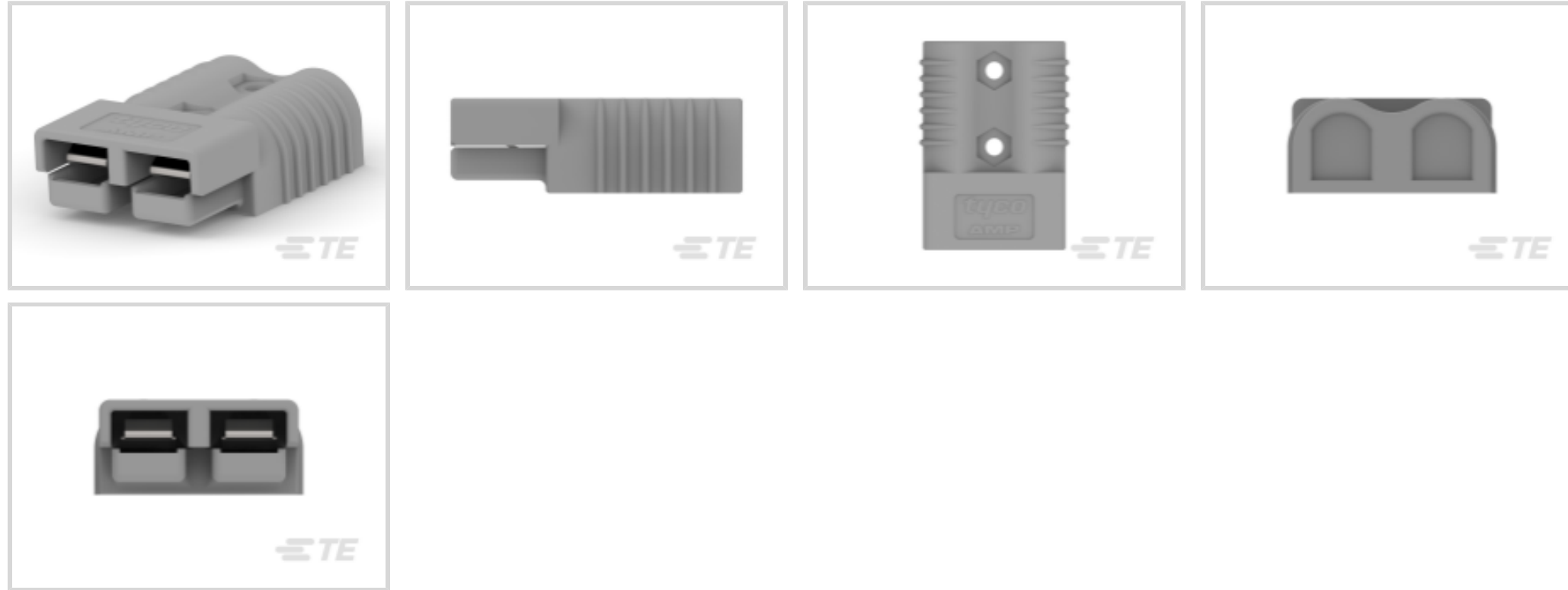
TE Internal #: 1604043-4

Rectangular Power Connectors, Connector Assembly, Receptacle / Plug, Wire-to-Wire, 2 Position, 19.06 mm [.75 in] Centerline, AMP Power Series - 175

[View on TE.com >](#)



Connectors > Power Connectors > Rectangular Power > Rectangular Power Connectors



Rectangular Power Connector Type: **Connector Assembly**

Connector & Housing Type: **Plug, Receptacle**

Connector System: **Wire-to-Wire**

Number of Positions: **2**

Centerline (Pitch): **19.06 mm [.75 in]**

Features

Product Type Features

Assembly Requirement	Unassembled Kit
Compatible With Discrete Wire Type	Stranded
Rectangular Power Connector Type	Connector Assembly
Connector & Housing Type	Plug, Receptacle
Connector System	Wire-to-Wire
Sealable	No
Connector & Contact Terminates To	Wire & Cable

Configuration Features

Number of Positions	2
---------------------	---

Electrical Characteristics

Operating Voltage	600 VDC
-------------------	---------

Contact Features

Contact Current Rating (Max)	175 A
Contact Type	Blade



Termination Features

Termination Method to Wire & Cable	Crimp
------------------------------------	-------

Mechanical Attachment

Mating Alignment Type	Keyed
Mating Retention	With
Mating Alignment	With
Panel Mount Feature	Without
Mating Retention Type	Latch
Connector Mounting Type	Cable Mount (Free-Hanging)

Housing Features

Centerline (Pitch)	19.06 mm [.75 in]
Housing Color	Gray
Housing Material	Polycarbonate

Dimensions

Connector Height	25.4 mm [1 in]
Product Width	53.5 mm [2.11 in]
Product Length	78.2 mm [3.08 in]
Wire Size	67100 – 69073 CMA

Usage Conditions

Operating Temperature Range	-20 – 105 °C [-4 – 221 °F]
-----------------------------	----------------------------

Operation/Application

Circuit Application	Power
---------------------	-------

Industry Standards

UL Rating	Recognized
Agency/Standard	UL
Approved Standards	UL E28476
UL Flammability Rating	UL 94V-0
Glow Wire Rating	Standard Part - Not Glow Wire

Packaging Features

Packaging Method	Bag
------------------	-----

Product Compliance

[For compliance documentation, visit the product page on TE.com>](#)

EU RoHS Directive 2011/65/EU	Compliant
EU ELV Directive 2000/53/EC	Compliant
China RoHS 2 Directive MIIT Order No 32, 2016	No Restricted Materials Above Threshold
EU REACH Regulation (EC) No. 1907/2006	Current ECHA Candidate List: JUNE 2023 (235) Candidate List Declared Against: JUNE 2023 (235) Does not contain REACH SVHC
Halogen Content	BFR/CFR/PVC Free, but Br/Cl >900 ppm in other sources.
Solder Process Capability	Not applicable for solder process capability

Product Compliance Disclaimer

This information is provided based on reasonable inquiry of our suppliers and represents our current actual knowledge based on the information they provided. This information is subject to change. The part numbers that TE has identified as EU RoHS compliant have a maximum concentration of 0.1% by weight in homogenous materials for lead, hexavalent chromium, mercury, PBB, PBDE, DBP, BBP, DEHP, DIBP, and 0.01% for cadmium, or qualify for an exemption to these limits as defined in the Annexes of Directive 2011/65/EU (RoHS2). Finished electrical and electronic equipment products will be CE marked as required by Directive 2011/65/EU. Components may not be CE marked. Additionally, the part numbers that TE has identified as EU ELV compliant have a maximum concentration of 0.1% by weight in homogenous materials for lead, hexavalent chromium, and mercury, and 0.01% for cadmium, or qualify for an exemption to these limits as defined in the Annexes of Directive 2000/53/EC (ELV). Regarding the REACH Regulation, the information TE provides on SVHC in articles for this part number is based on the latest European Chemicals Agency (ECHA) 'Guidance on requirements for substances in articles' posted at this URL: <https://echa.europa.eu/guidance-documents/guidance-on-reach>

Compatible Parts



Also in the Series | [AMP Power Series - 175](#)



Rectangular Connector Adapters(4)



Rectangular Power Connectors(12)

Customers Also Bought



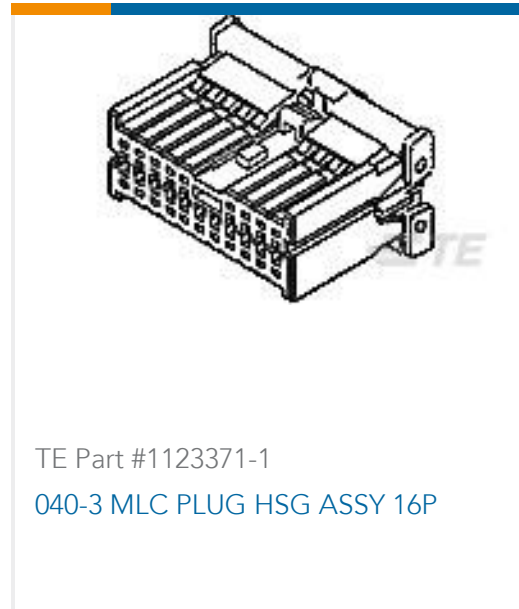
TE Part #1445997-1
CONTACT, 120 PWR PROD,6 AWG



TE Part #1604037-3
175A HOUSING SUB-ASSY,RED



TE Part #1604037-5
175A HOUSING SUB-ASSY,BLUE



TE Part #1123371-1
040-3 MLC PLUG HSG ASSY 16P



TE Part #316836-1
040-3 REC CONT. S



TE Part #213919-2
CPC SEAL KIT,UNASSM,SZ 17-14



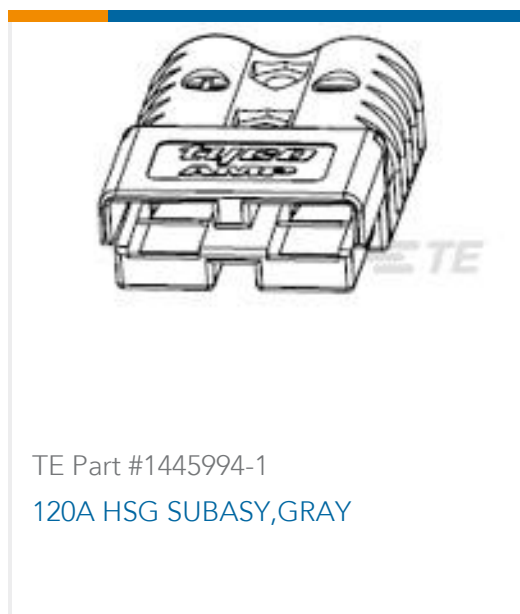
TE Part #1445995-1
CONTACT, 120 PWR PROD,2AWG



TE Part #4-1618388-6
LEV200A5NAA=RELAY, SPST-NO



TE Part #2387121-2
PLUG CONN CA,REV,SER 1,SZ 14-14,L 1M



TE Part #1445994-1
120A HSG SUBASY,GRAY

Documents

Product Drawings

[KIT,175A,2 AWG,GRAY](#)

English

CAD Files

Customer View Model

[ENG_CVM_1604043-4_O.3d_igs.zip](#)

English

Customer View Model



[ENG_CVM_1604043-4_O.3d_stp.zip](#)

English

Customer View Model

[ENG_CVM_1604043-4_O.2d_dxf.zip](#)

English

3D PDF

English

By downloading the CAD file I accept and agree to the [Terms and Conditions](#) of use.

Datasheets & Catalog Pages

[POWER_CONNECTORS_CATALOG_SEC02_CABLE_MOUNTED](#)

English

[2_PIECE_POWER_CONNECTORS_qrg_4-1773458-1](#)

English

Product Specifications

[Application Specification](#)

English

Product Environmental Compliance

[TE Material Declaration](#)

English