

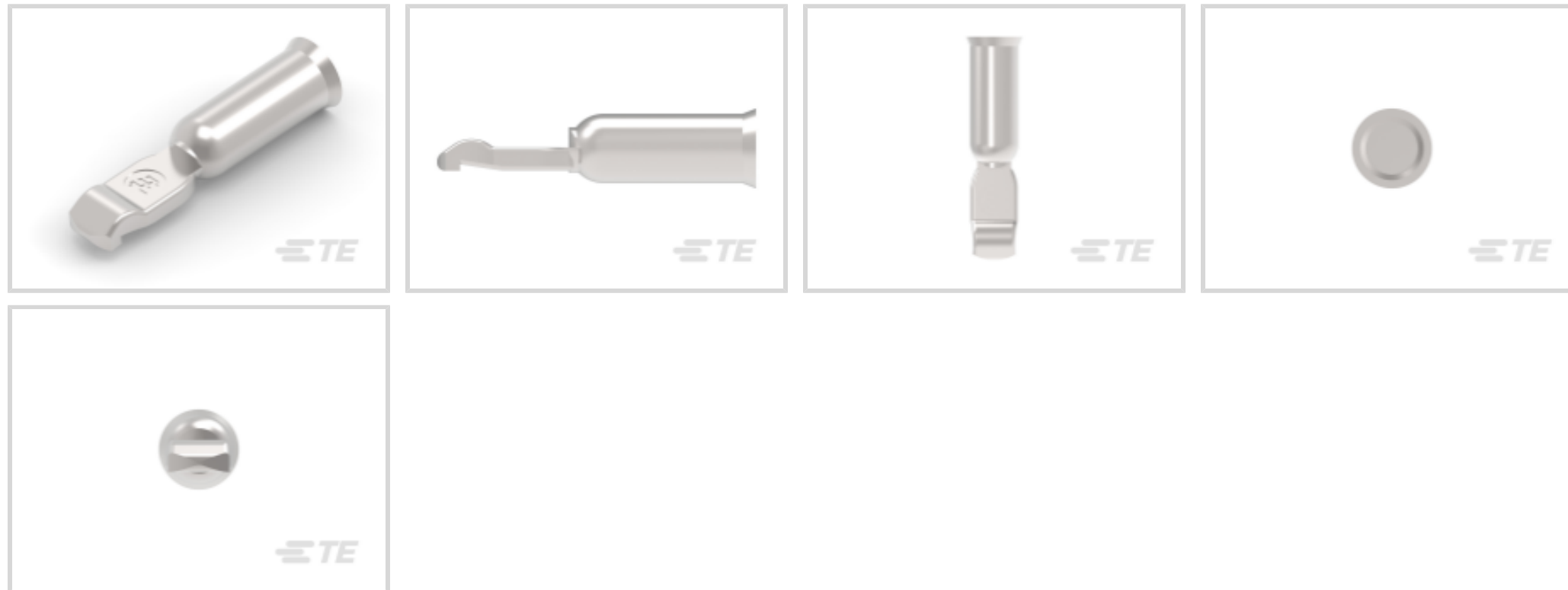


TE Internal #: 1604041-1

Power Contacts, Contact, 600 VAC, 600 VDC, Silver, 1 AWG Wire Size, 40 – 41 mm<sup>2</sup> Wire Size, 78941 – 80915 CMA Wire Size, Wire & Cable, Crimp, Power

[View on TE.com >](#)

Connectors > Power Connectors > Power Contacts



Power Contact Type: **Contact**

Operating Voltage: **600 VDC**

Contact Mating Area Plating Material: **Silver**

Wire Size: **1 AWG**

## Features

### Product Type Features

Compatible With Discrete Wire Type	Stranded
Power Contact Type	Contact
Connector & Contact Terminates To	Wire & Cable

### Electrical Characteristics

Operating Voltage	600 VDC
-------------------	---------

### Contact Features

Barrel Type	Closed
Contact Mating Area Plating Material	Silver
Contact Current Rating (Max)	180 A
Contact Type	Tab
Contact Retention Within Housing	With
Mating Tab Width	12.7 mm[.5 in]
Mating Tab Thickness	6 mm[.236 in]
Contact Base Material	Copper Alloy
Contact Mating Area Plating Material Thickness	1.27 μm[50 μin]



Wire Contact Termination Area Plating Thickness	1.27 µm[50 µin]
---	-----------------

Wire Contact Termination Area Plating Material	Silver
--	--------

Wire Contact Termination Area Plating Material Finish	Bright
---	--------

Contact Orientation	Straight
---------------------	----------

Contact Underplating Material	Nickel
-------------------------------	--------

Contact Underplating Material Thickness	50 µm[1.27 µin]
---	-----------------

### Termination Features

Termination Method to Wire & Cable	Crimp
------------------------------------	-------

### Dimensions

Wire Size	78941 – 80915 CMA
-----------	-------------------

### Usage Conditions

Operating Temperature Range	-40 – 105 °C[-40 – 221 °F]
-----------------------------	----------------------------

### Operation/Application

Circuit Application	Power
---------------------	-------

### Industry Standards

UL Rating	Recognized
-----------	------------

Agency/Standard	UL
-----------------	----

UL Flammability Rating	UL 94V-0
------------------------	----------

### Packaging Features

Packaging Quantity	500
--------------------	-----

Packaging Method	Bag
------------------	-----

### Product Compliance

[For compliance documentation, visit the product page on TE.com>](#)

EU RoHS Directive 2011/65/EU	Compliant
------------------------------	-----------

EU ELV Directive 2000/53/EC	Compliant
-----------------------------	-----------

China RoHS 2 Directive MIIT Order No 32, 2016	No Restricted Materials Above Threshold
---	---

EU REACH Regulation (EC) No. 1907/2006	Current ECHA Candidate List: JUNE 2023 (235) Candidate List Declared Against: JUNE 2023 (235) Does not contain REACH SVHC
--	---

Halogen Content	Low Halogen - Br, Cl, F, I < 900 ppm per homogenous material. Also BFR/CFR/PVC
-----------------	--



Free

Solder Process Capability

Not applicable for solder process capability

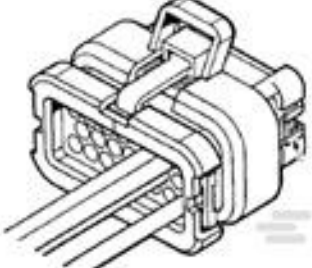
Product Compliance Disclaimer

This information is provided based on reasonable inquiry of our suppliers and represents our current actual knowledge based on the information they provided. This information is subject to change. The part numbers that TE has identified as EU RoHS compliant have a maximum concentration of 0.1% by weight in homogenous materials for lead, hexavalent chromium, mercury, PBB, PBDE, DBP, BBP, DEHP, DIBP, and 0.01% for cadmium, or qualify for an exemption to these limits as defined in the Annexes of Directive 2011/65/EU (RoHS2). Finished electrical and electronic equipment products will be CE marked as required by Directive 2011/65/EU. Components may not be CE marked. Additionally, the part numbers that TE has identified as EU ELV compliant have a maximum concentration of 0.1% by weight in homogenous materials for lead, hexavalent chromium, and mercury, and 0.01% for cadmium, or qualify for an exemption to these limits as defined in the Annexes of Directive 2000/53/EC (ELV). Regarding the REACH Regulation, the information TE provides on SVHC in articles for this part number is based on the latest European Chemicals Agency (ECHA) 'Guidance on requirements for substances in articles' posted at this URL: <https://echa.europa.eu/guidance-documents/guidance-on-reach>

### Customers Also Bought



TE Part #206036-2  
CPC RECEPTACLE SIZE 17-3



TE Part #776286-1  
8POS,AMPSEAL,SOC HSG ASSY,SLD, COD 1



TE Part #66360-4  
Pin and Socket Contacts, Type III, LP



TE Part #66259-2  
MALE CONTACT ASSY. (L.P.)



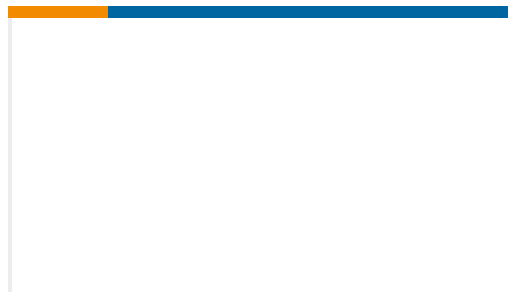
TE Part #66261-4  
MALE CONTACT ASSY. (L.P.)



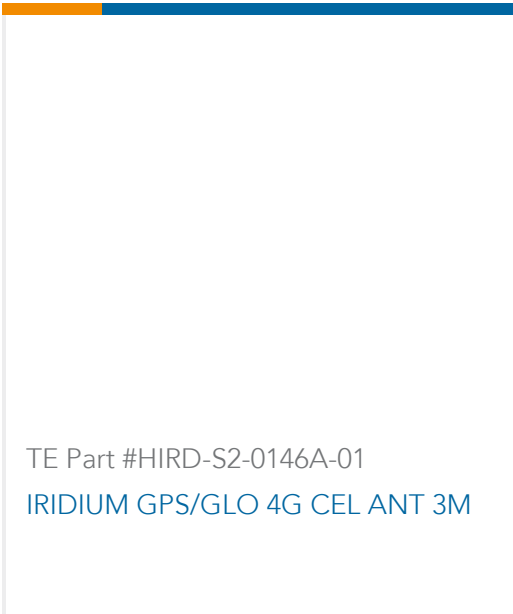
TE Part #DT04-08PB-P021  
REC, 8P, BLK, BUSBAR 1X8, NICKEL, B



TE Part #207445-3  
SEALING CAP ASSY, 17,CPC ROHS Compliant



TE Part #HCEL-S2-0164A-01  
4G CELL 433MHz WLAN ANT 3M



TE Part #HIRD-S2-0146A-01  
IRIDIUM GPS/GLO 4G CEL ANT 3M

### Documents

Product Drawings

CONTACT,175A/180A,#1 AWG,L/P



English

---

**CAD Files**

Customer View Model

[ENG\\_CVM\\_CVM\\_1604041-1\\_A.2d\\_dxf.zip](#)

English

**3D PDF**

3D

Customer View Model

[ENG\\_CVM\\_CVM\\_1604041-1\\_A.3d\\_igs.zip](#)

English

Customer View Model

[ENG\\_CVM\\_CVM\\_1604041-1\\_A.3d\\_stp.zip](#)

English

By downloading the CAD file I accept and agree to the [Terms and Conditions](#) of use.

---

**Datasheets & Catalog Pages**

[POWER\\_CONNECTORS\\_CATALOG\\_SEC02\\_CABLE\\_MOUNTED](#)

English

[2\\_PIECE\\_POWER\\_CONNECTORS\\_qrg\\_4-1773458-1](#)

English

---

**Product Specifications**

[Application Specification](#)

English